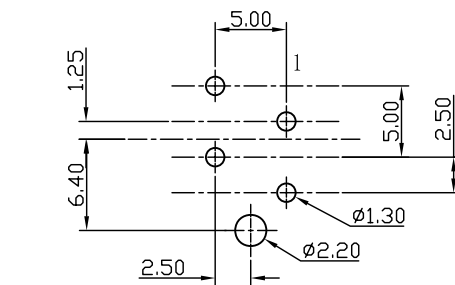
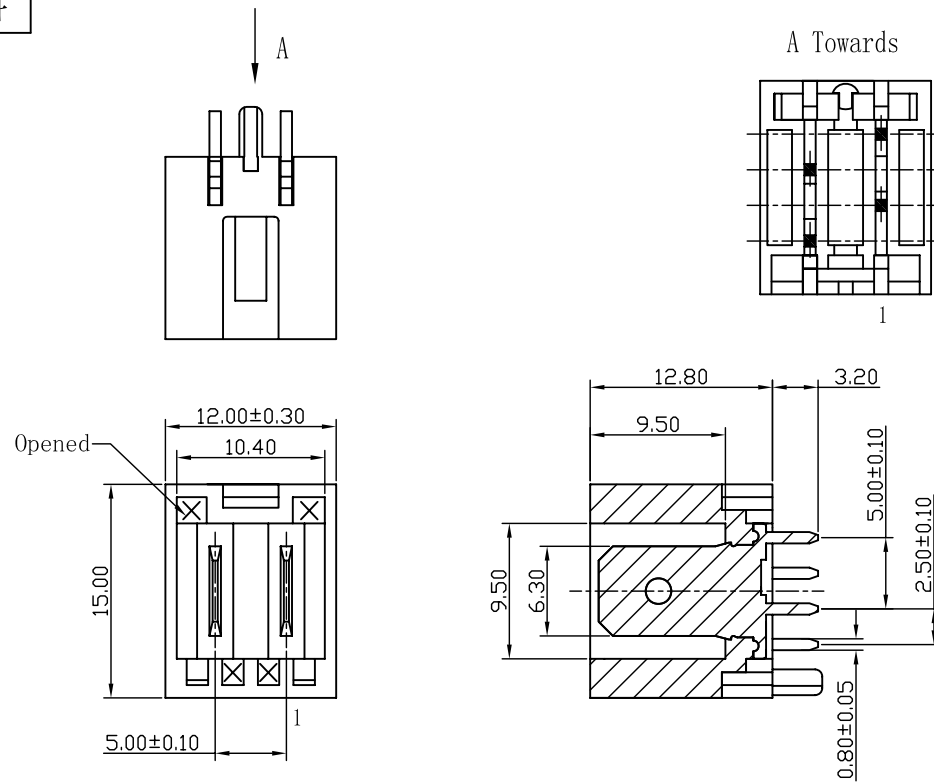


环保物料

TEL: 0769-82001899



P. C. Board layout

SPECIFICATIONS:

- Current Rating: 16A AC, DC
- Voltage Rating: 250V AC, DC
- Operating Temperature: -40 °C ~ +120 °C
- Contact Resistance: 10mΩ max.
- Insulation Resistance: 1000MΩ Min.
- Withstanding Voltage: 2500V AC/minute
- Material: Housing: Nylon66 UL94V-0
Terminal: Brass, Silver-plated
- GWT: 750 °C IEC-60335-1
- Part No.: M9400-2-001-A0-S

				TOLERANCE UNLESS OTHERWISE		DRAWN	CK tan	XFCN 兴飞连接器有限公司 CONNECTORS XFCN CONNECTORS CO., LTD.		SHEET	1/1
				X.	±0.30	X°	±5°			CHKD	DATE
				.X	±0.20	.X°	±2°	APPD	PRODUCT NAME	2.50mm Crimp Style Connectors	
				.XX	±0.08	.XX°	±1°	VIEW	PART. NO.	SCALE	1:1
				.XXX	±0.03	.XXX°	±0.5°			M9400-2-001-A0-S	DWG NO.
A0	MODIFICATION			DRAW	DATE						