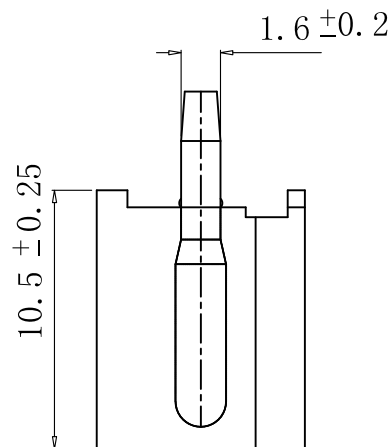
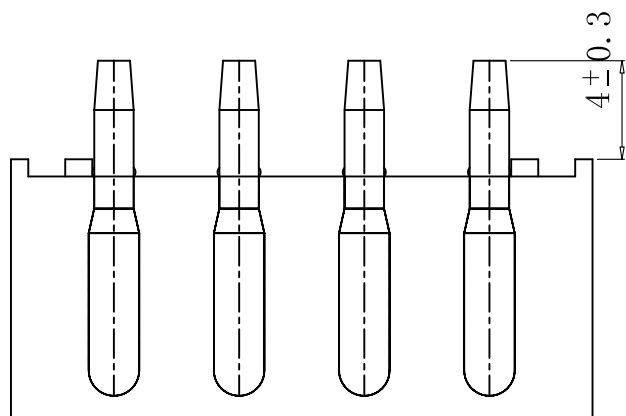


■ Specifications :

- Voltage rating: 250V AC / DC
- Current rating: 10A AC / DC
- Withstanding voltage: 1500V AC/minute
- Temperature range: -25°C~+85°C
- Insulation resistance: $\geq 1000M\Omega$
- Contact resistance: $\leq 10m\Omega$
- After environmental testing: $\leq 20m\Omega$



				TOLERANCE UNLESS OTHERWISE		DRAWN	CK tan	XFCN 兴飞连接器有限公司 CONNECTORS XFCN CONNECTORS CO., LTD.		SHEET	1/1		
				X.	±0.30	X°	±5°			CHKD	DATE	2010. 4. 12	
				.X	±0.20	.X°	±2°	APPD	PRODUCT NAME	5.08mm Crimp Style Connectors	UNITS	mm	
				.XX	±0.08	.XX°	±1°	VIEW		PART. NO.	M5082V-04P	SCALE	1:1
				.XXX	±0.03	.XXX°	±0.5°			DWG. NO.	009		
AO	MODIFICATION		DRAW	DATE									
VER													