



DATA SHEET

1N4148-34/1N4148-35

SWITCHING DIODES

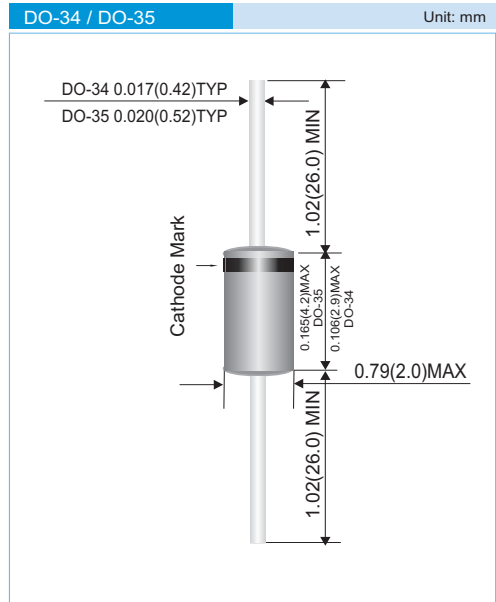
VOLTAGE 75 Volts **POWER** 500 mW

FEATURES

- Fast switching Speed.
- Electrically Identical to Standard JEDEC
- High Conductance
- Axial lead Package Ideally Suited for Automatic Insertion.

MECHANICAL DATA

Case: DO-34 / DO-35 glass case.
 Weight: approximately 0.012g
 Available in 52mm Tape and Reel
 Use 1N4148 - 34 to order the DO-34 Package.
 Use 1N4148 - 35 to order the DO-35 Package.



MAXIMUM RATINGS AND ELECTRICAL CHARACTERISTICS (T_J=25°C unless otherwise noted)

PARAMETER	SYMBOL	1N4148	UNITS
Reverse Voltage	V _R	75	V
Peak Reverse Voltage	V _{RM}	100	V
Maximum RMS Voltage	V _{RMS}	50	V
Maximum DC Blocking Voltage	V _{DC}	75	V
Maximum Average Forward Current at T _a =25 °C And f ≥50Hz	I _{AV}	150	mA
Surge Forward Current at t < 1s and T _J =25 °C	I _{FSM}	500	mA
Power Dissipation at Tamb= 25 °C	P _{TOT}	500	mW
Maximum Forward Voltage at I _F =10mA	V _F	1.0	V
Maximum Leakage Current at V _R =20V at V _R =75V at V _R =20V ,T _J = 150 °C	I _R	25 5 50	nA μA μA
Maximum Capacitance at V _F =V _R =0	C _{tot}	4	pF
Maximum Reverse Recovery Time From I _F =I _R =10mA to I _{RR} =-1mA ,V _R =6V R _L =100 Ω	T _{RR}	4	ns
Maximum Voltage Rise When Switching On Tested With 50mA Forward Pulses T _p =0.1uA , Rise Time<30ns ,f _p =5~100kHz	V _{FR}	2.5	V
Maximum Thermal Resistance	RθJA	350	°C / W
Junction Temperature	T _J	175	°C
Storage Temperature Range	T _S	-65 to +175	°C

