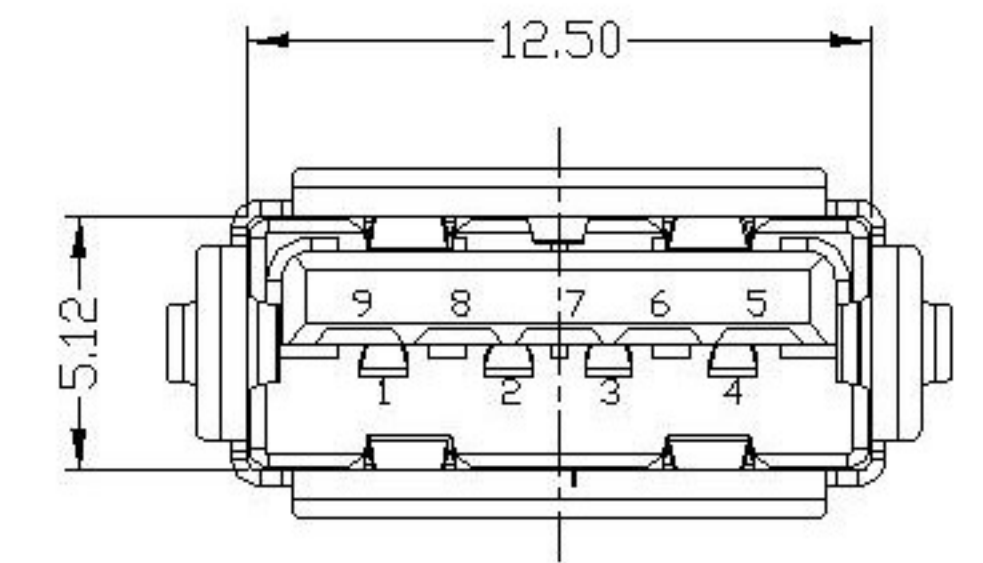
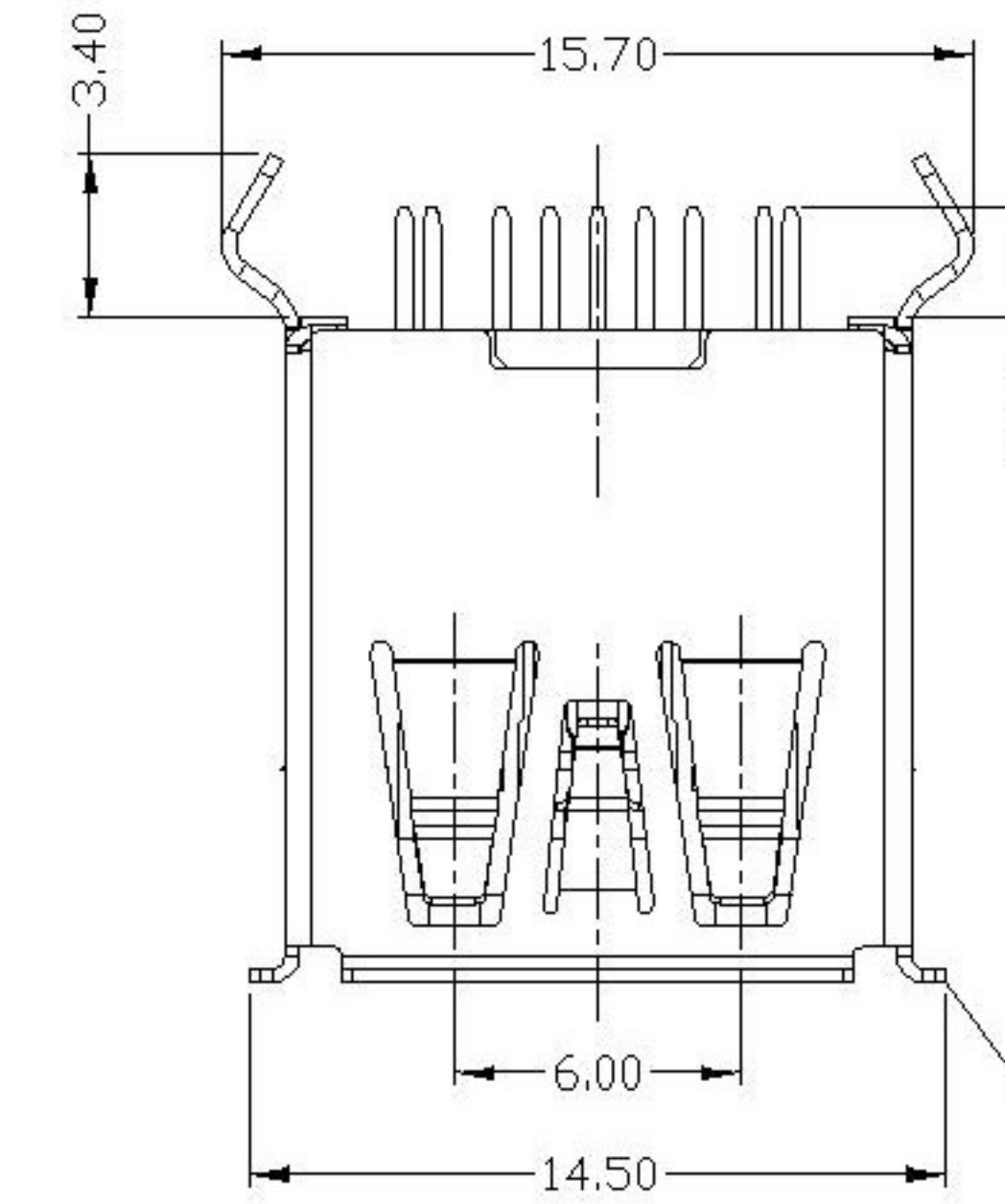
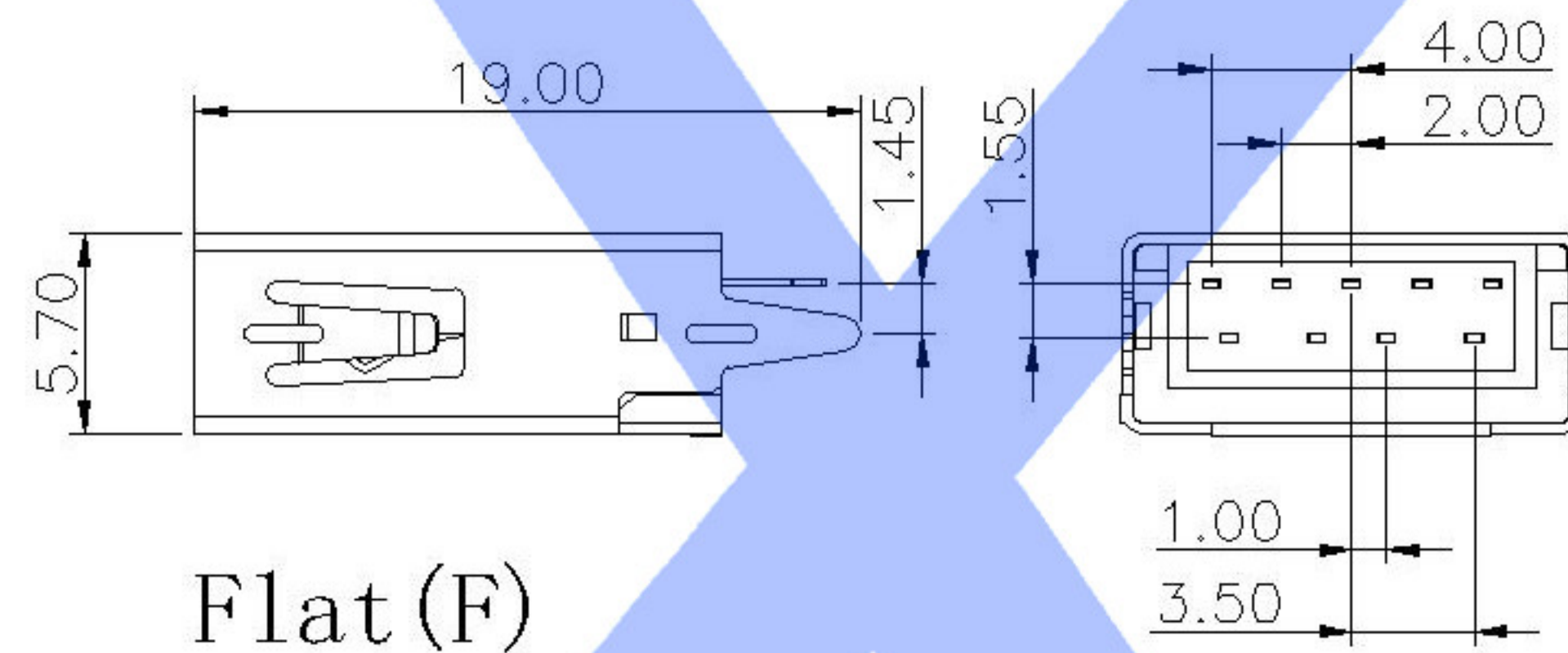
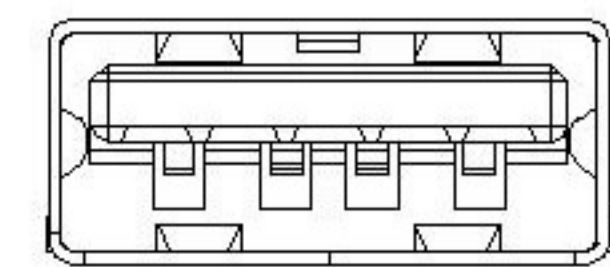


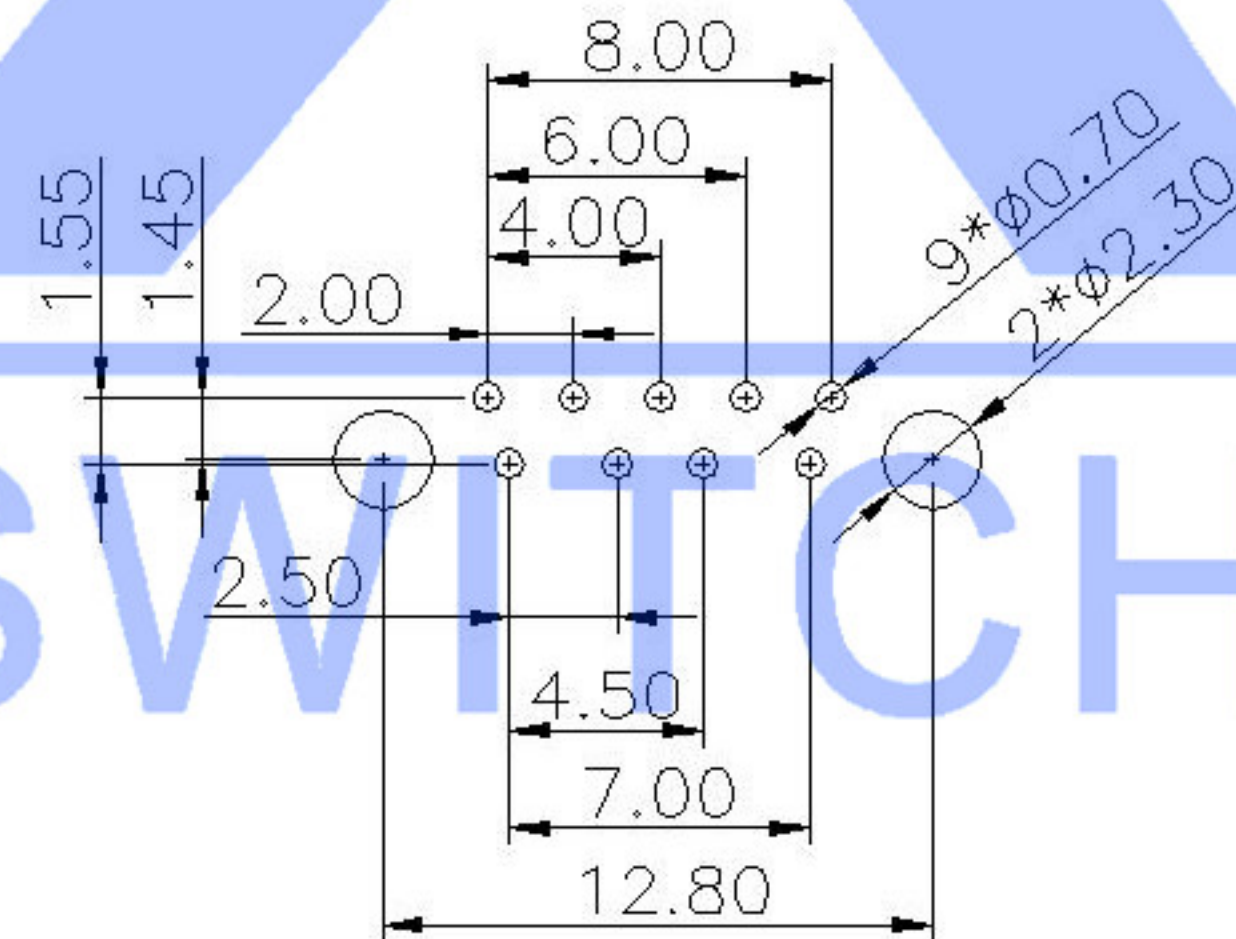
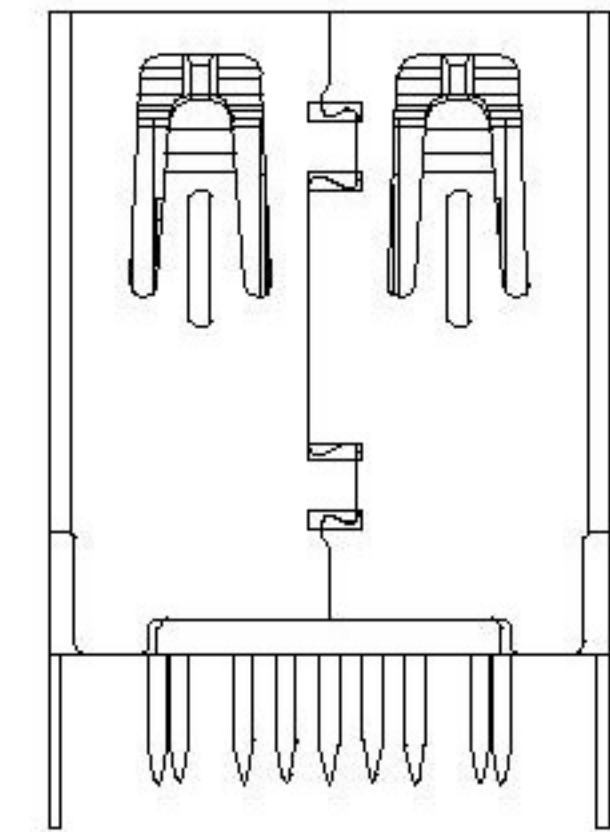
Pin #	SIGNAL NAME	DESCRIPTION	MATING SEQUENCE
1	VBUS	POWER	SECOND
2	D-	USB 2.0 DIFFERENTIAL PAIR	THIRD
3	D+		
4	GND	GROUND FOR POWER RETURN	SECOND
5	S1dA_SSRX-	SUPERSPEED RECEIVER DIFFERENTIAL PAIR	LAST
6	S1dA_SSRX+		
7	GND_DRAIN	GROUND FOR SIGNAL RETURN	
8	S1dA_SSTX-	SUPERSPEED TRANSMITTER DIFFERENTIAL PAIR	
9	S1dA_SSTX+		
Shell	Shield	CONNECTOR METAL SHELL	FIRST



Scrolls (S)



Flat (F)

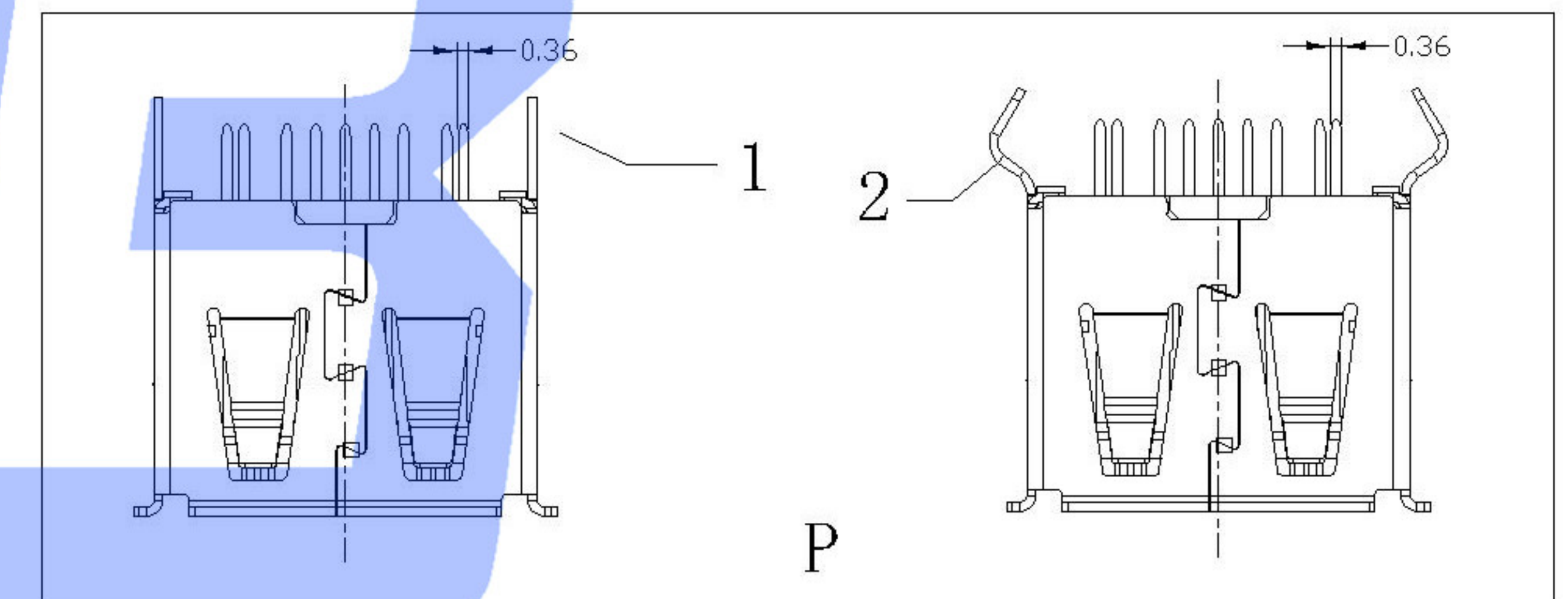


**Material**  
Housing Material: PBT, UL94V-0, blue  
Contact Terminal: Brass  
Metallic Shell: Spcc  
Plating  
Underplating: Nickel  
Contact Plating: 1μ" Gold  
Solder Tail: 100μ" Min. Tin  
Metallic Shell: Nickel

**Electrical**  
Voltage Rating: 100 V AC  
Current Rating: 0.25A (Signal pins 2,3,5,6,7,8,9) 1.8A (Power Pins 1,4)  
Contact Resistance: 30mΩ Max.  
Insulation resistance: 1000MΩ Min.  
Dielectric withstanding voltage: 100V AC/Minute

**Mechanical**  
Durability: 1500 cycles  
Mating Force: 35N (3.57Kgf) Max  
Unmating Force: 10N (1.02Kgf) Min. initial, 8N min after test

**Environmental and Processing**  
Operating Temperature: -40°C to +85°C



U233-09XN-1BLPC15-X-1-X

1: Au 1U\*  
5: Au 15U\*  
6: Au 30U\*  
T: TIN  
N: NICKEL

P: 1 P: 2  
1: SPCC  
S: Scrolls F: Flat  
B: BLACK W: WHITE BL: BLUE

1: PBT  
2: PA6T  
3: PA9T  
4: LCP

MARK	DESCRIPTION	REVISIONS	DATE	REVISED	APPROVED	UNSPECIFIED TOLERANCES	DSND	DATE	SCALE: N/A	MODEL TYPE: USB 3.0
ΔX						ANGULAR ±5°	DWN	DATE	VIEW:	PART NO.:
ΔX						L ≤ 4 ±0.2	CHKD	DATE	UNIT: mm	DWG NO.:
ΔX						4 < L ≤ 16 ±0.3	APPD	DATE	SIZE: A4	U233-09XN-1BLPC15-X-1-X
						16 < L ≤ 63 ±0.4				WEIGHT 1.0g
						L > 63 ±0.5				SHEET 1/1
										REVISION A0

XKB INDUSTRIAL PRECISION CO., LIMITED

www.xk-dg.cn www.helloxkb.com www.helloxkb.cn