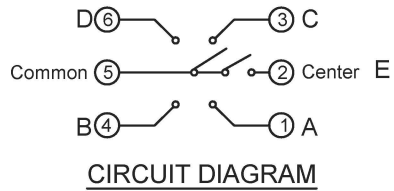
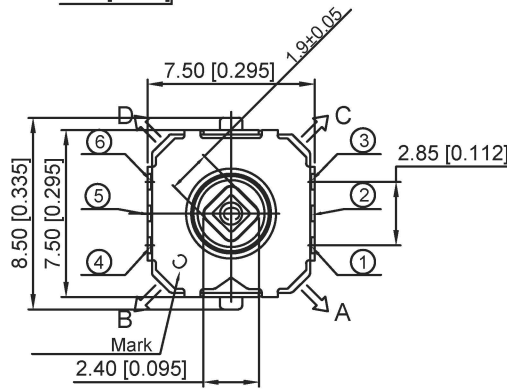


P.C.B LAND DIMENSION



SPECIFICATION
 1.Rating:DC 12V 50mA Max
 2.Contact resistance: 500mΩ MAX
 3.Insulation resistance: 100MΩ Min
 4.Dielectric strength: 250VAC/min
 5.Dielectric strength: 0.15±0.10mm (4-DIRECTION)0.25±0.15mm

PAPT NO	TM-4175-X-X	
Operating force	A	4 Direction 180±50gf Center 250±50gf
	B	4 Direction 240±50gf Center 360±50gf
Height	H:A:5 B:6	

ITEM	PAPT NAMF	TER,NO	QTY	MATERIAL	FINISHING	REMARK
⑥	Terminal	—	6	Brass	Plating silver	—
⑤	Contact	—	1	F.ag/Brass	Plating silver	—
④	Base	—	1	Pa46		—
③	Spring	—	10	Sus	Natural	—
②	Cover	—	1	Sus	Natural	—
①	Keystake	—	1	Pa46		—

广东星坤科技股份有限公司

生效日期
 文件工程章

MARK	DESCRIPTION	DATE	REVISED	APPROVED	UNSPECIFIED TOLERANCES
ANGLAR	±5°				
L ≤ 4	±0.2				
4 < L ≤ 16	±0.3				
16 < L ≤ 63	±0.4				
L > 63	±0.5				

DSND	DATE	SCALE: N/A	MODEL TYPE: MULTI-FUNCTIONAL SWITCH
DWN	DATE	VIEW:	PART NO.:
CHKD	DATE	UNIT: mm/in	DWG NO.:
APPD	DATE	SIZE: A4	TM-4175-X-X
XKB INDUSTRIAL PRECISION CO., LIMITED			WEIGHT SHEET REVISION 1.0g 1/1 A0