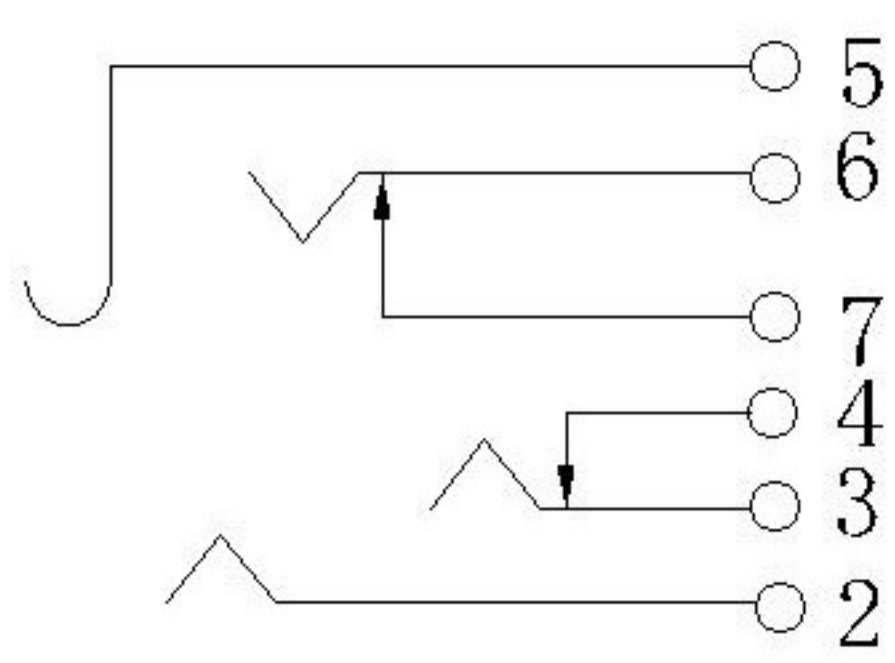


PJ-342CB-TX-SMT



G:Gold plating  
S:Silver plating

	MATERIAL	PLATING
terminal 2	Phosphor Bronze	Gold
terminal 3	Phosphor Bronze	Gold
terminal 4	Phosphor Bronze	Gold
terminal 5	Phosphor Bronze	Gold
terminal 6	Phosphor Bronze	Gold
terminal 7	Phosphor Bronze	Gold
plastic	High Temp. Thermoplastic	

MARK	DESCRIPTION	DATE	REVISED	APPROVED	UNSPECIFIED TOLERANCES	DSND	DATE	SCALE: N/A	MODEL TYPE: 3.5 PHONE JACK
Δx					ANGLAR ±5°	DWN	DATE	VIEW:	PART NO.:
Δx					X.X ±0.2mm	CHKD	DATE	UNIT: mm	DWG NO.:
Δx					X.XX ±0.1mm	APPD	DATE	SIZE: A4	PJ-342CB-TX-SMT
					X.XXX ±0.05mm	XKB INDUSTRIAL PRECISION CO.,LIMITED			WEIGHT SHEET REVISION
									1.0g 1/1 A0