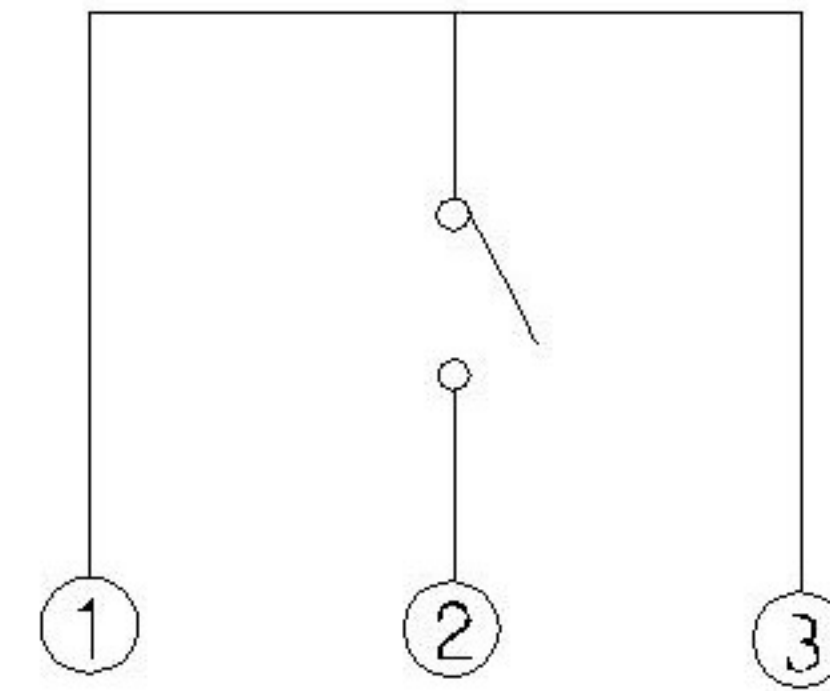
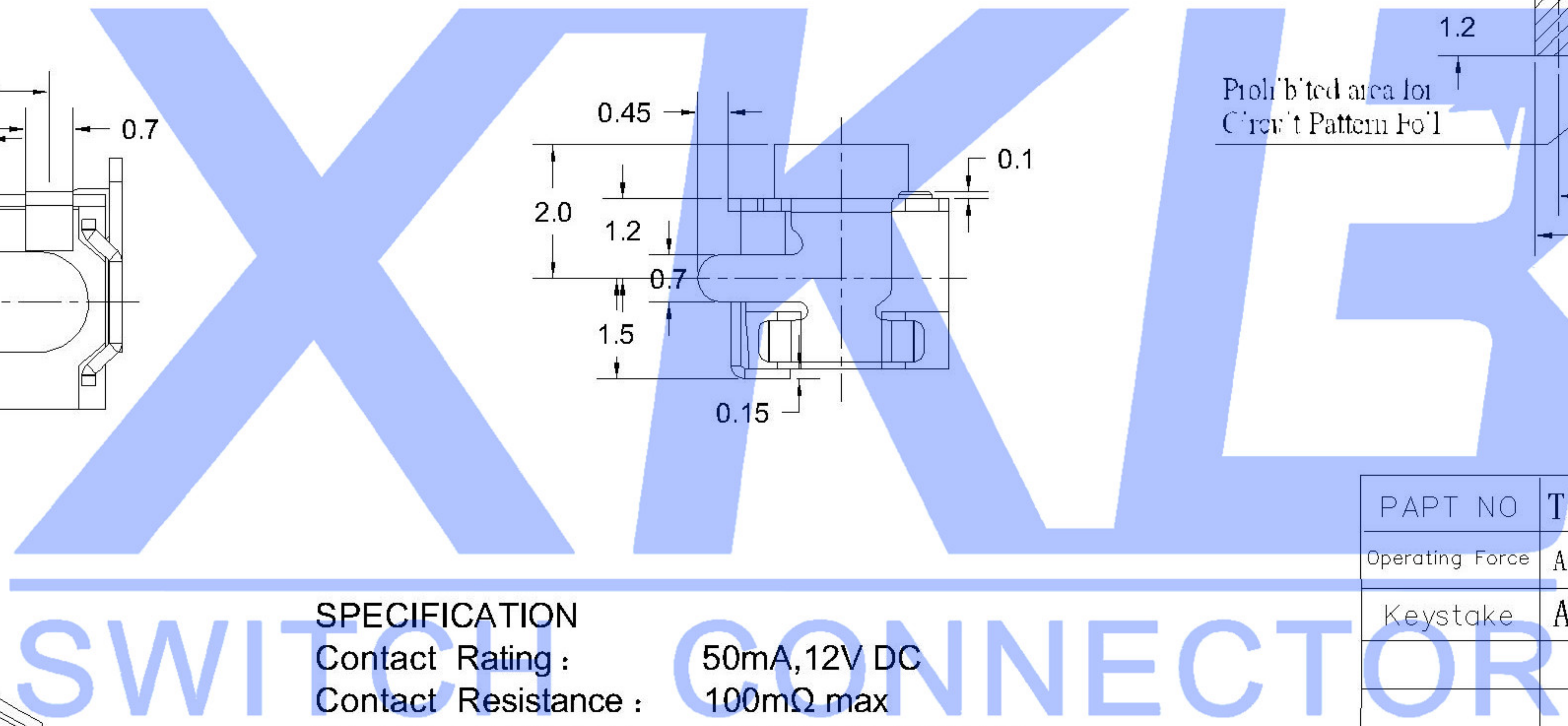
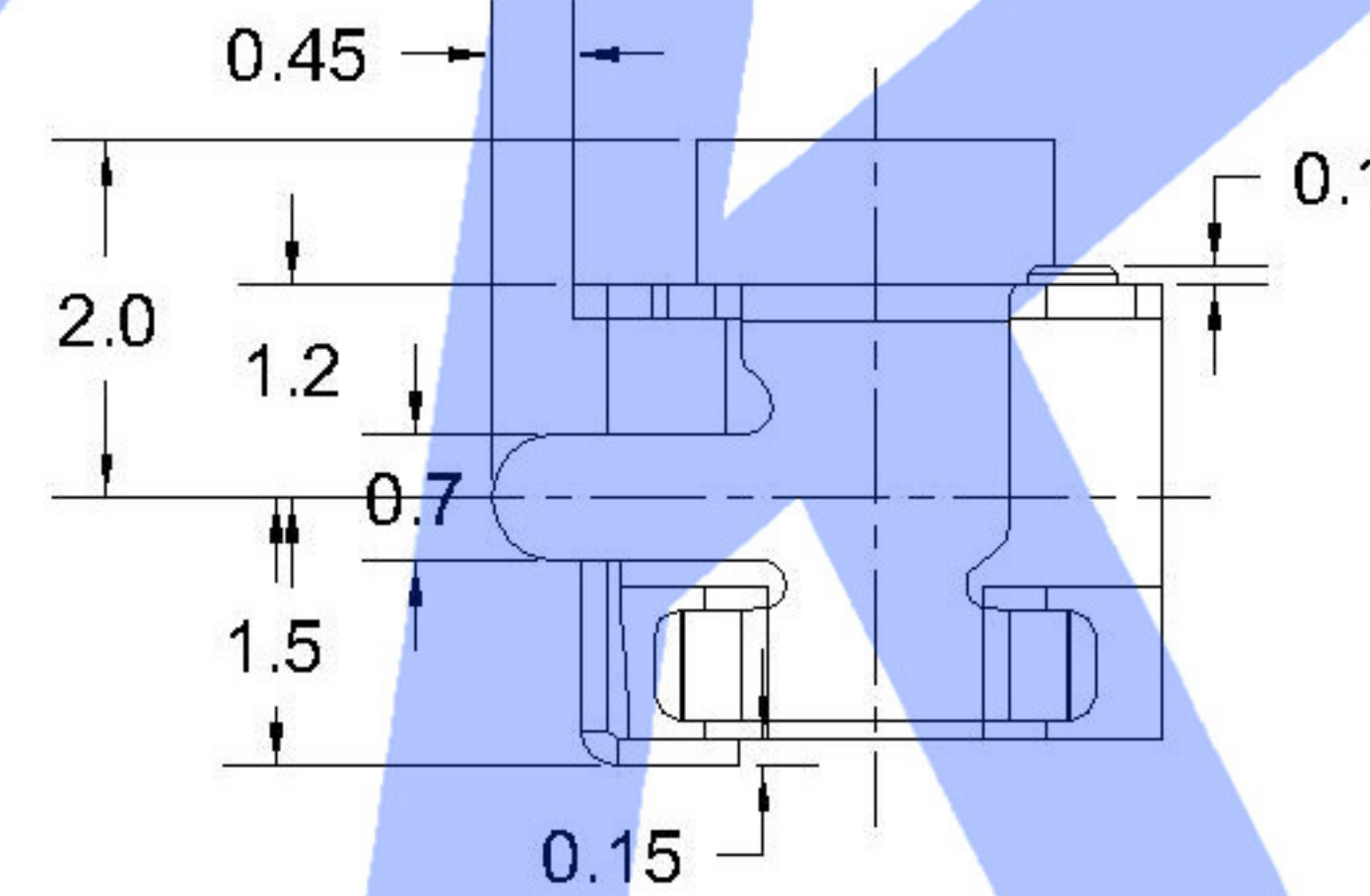
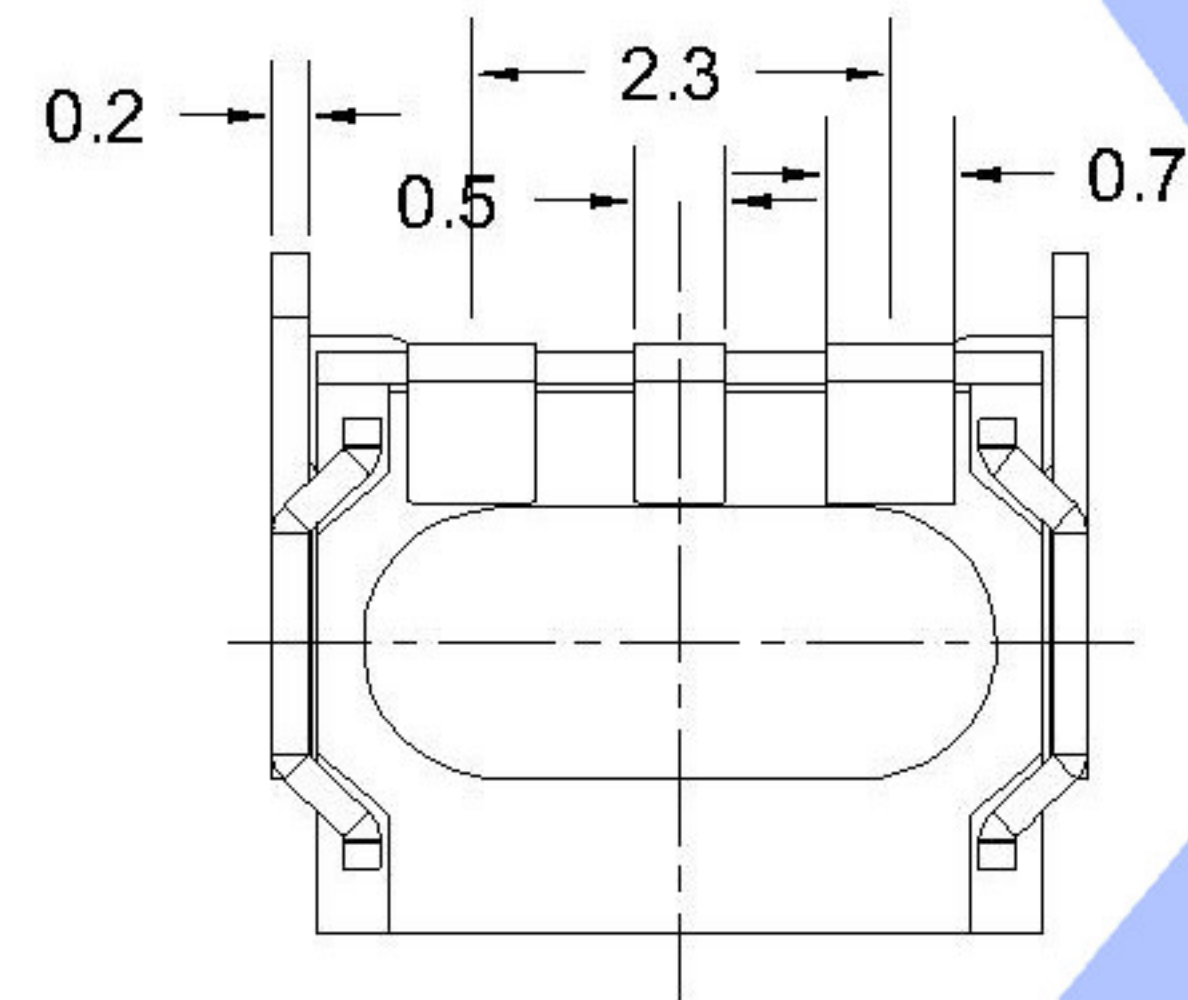
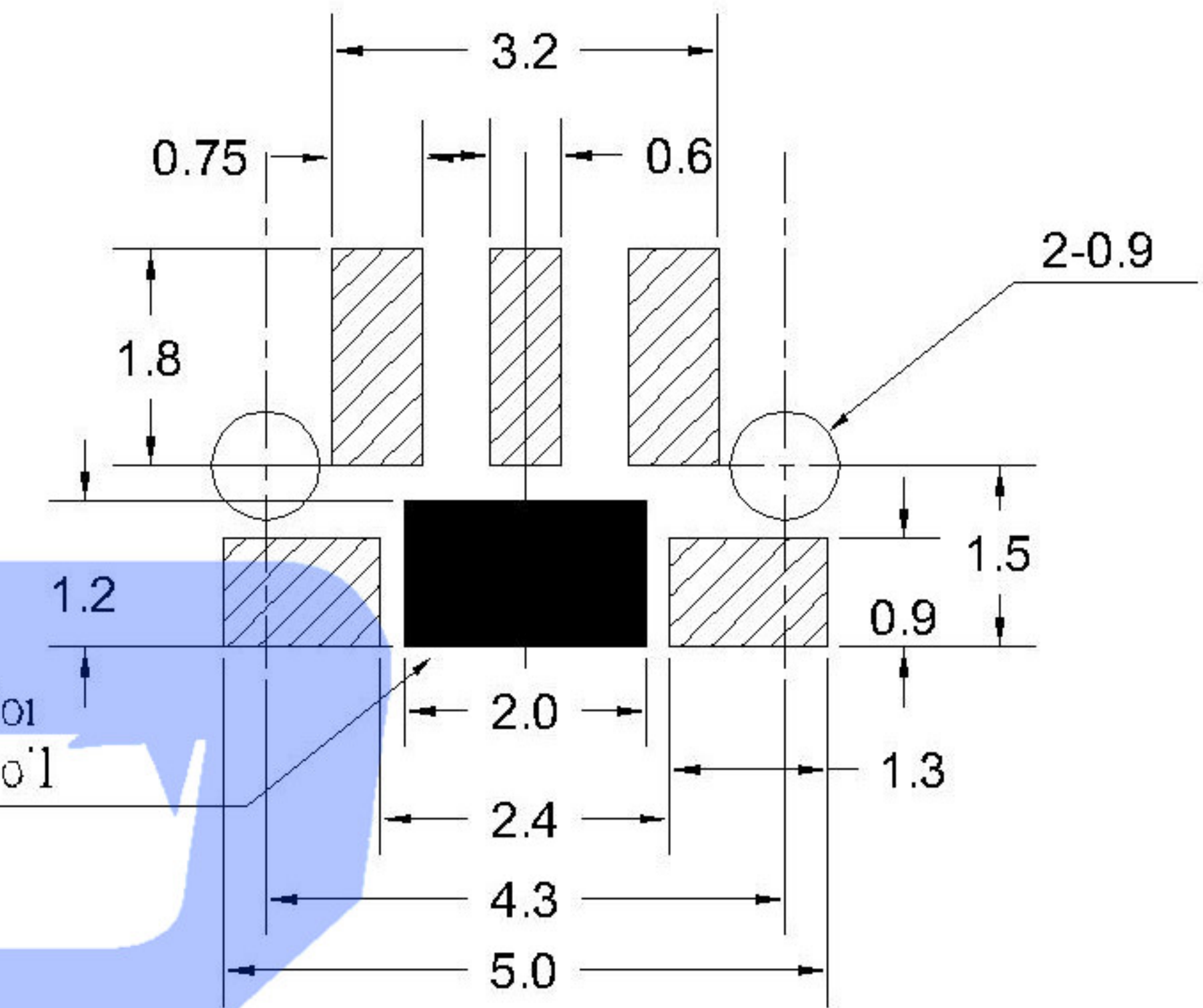


CIRCUIT DIAGRAM



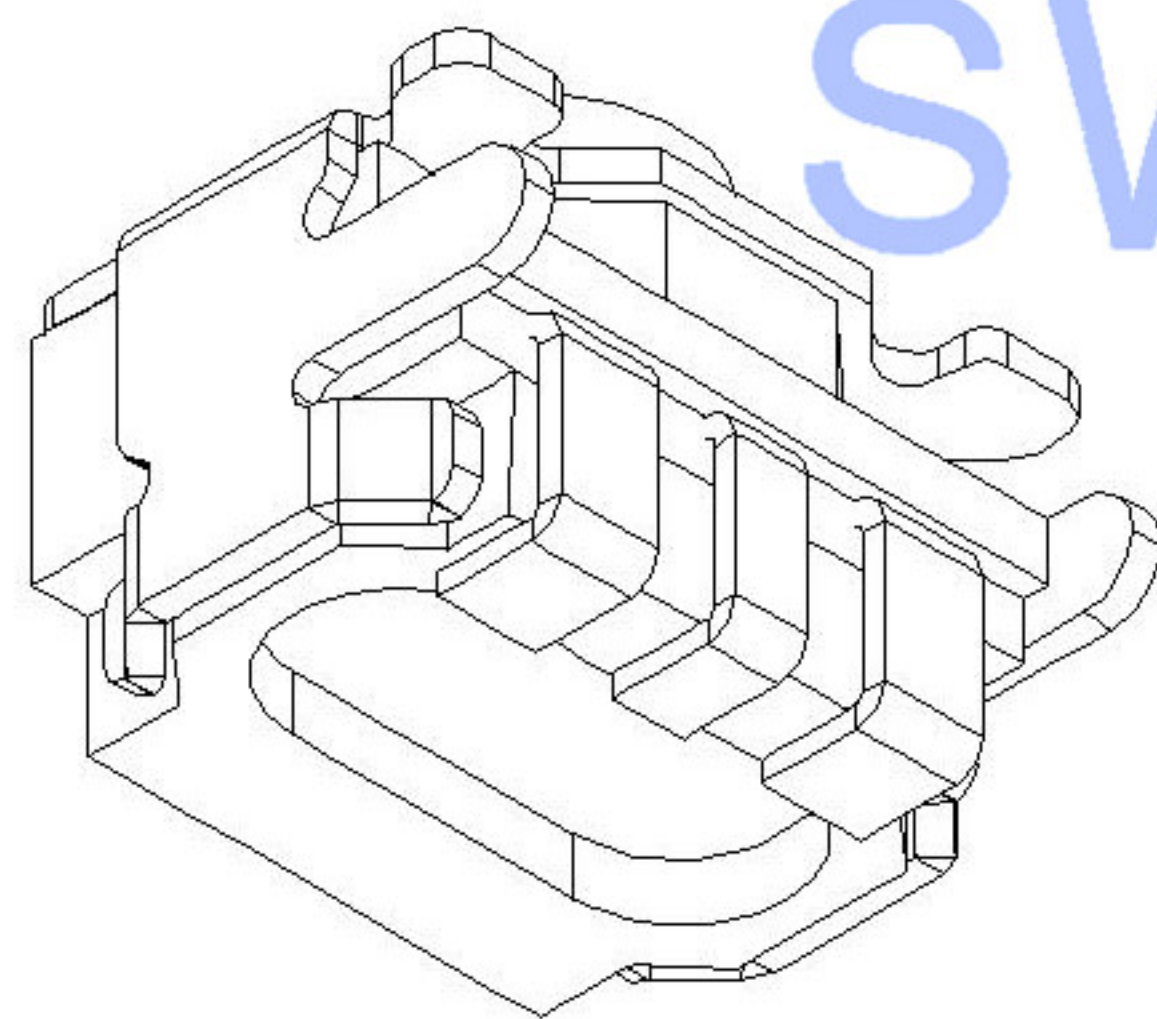
SMD REFLOW PATTERN



SWITCH CONNECTOR

PAPT NO	TS-1133-X-A
Operating Force	A:100gf B:160gf C:260gf
Keystake	A: PA46: B: Silica gel

**SPECIFICATION**  
 Contact Rating : 50mA,12V DC  
 Contact Resistance : 100mΩ max  
 Insulation Resistance : 100mΩ min.500V DC  
 Dielectric Strength : 250V AC/1minute  
 Travel: 0.20mm  
 Operating Temp : -30°C~+85°C  
 Storage Temp : -30°C~+80°C



⑤	Terminal	—	3	Brass (0.30t)	Plating silvering	—
④	Contact	—	1	F.ag/Sus	Natural	—
③	Base	—	1	Pa46		—
②	Cover	—	1	Spcc	Plating Nickel	—
①	Keystake	—	1	Pa46		—
ITEM	PAPT NAME	TER,NO	QTY	MATERIAL	FINISHING	REMARK

DSND		DATE		SCALE: N/A	MODEL TYPE: TACT SWITCH		
DWN		DATE		VIEW:	PART NO.:		
CHKD		DATE		UNIT: mm	DWG NO.:		
APPD		DATE		SIZE: A4	TS-1133-X-A		
UNSPECIFIED TOLERANCES					WEIGHT	SHEET	REVISION
XKB INDUSTRIAL PRECISION CO.,LIMITED					1.0g	1/1	A0

units:	mm			
tolerance:				
X.X	±0.2mm			
X.XX	±0.1mm			
X.XXX	±0.05mm			
MARK	DESCRIPTION	DATE	REVISED	APPROVED
REVISIONS				
www.xk-dg.cn www.helloxkb.com www.helloxkb.cn				