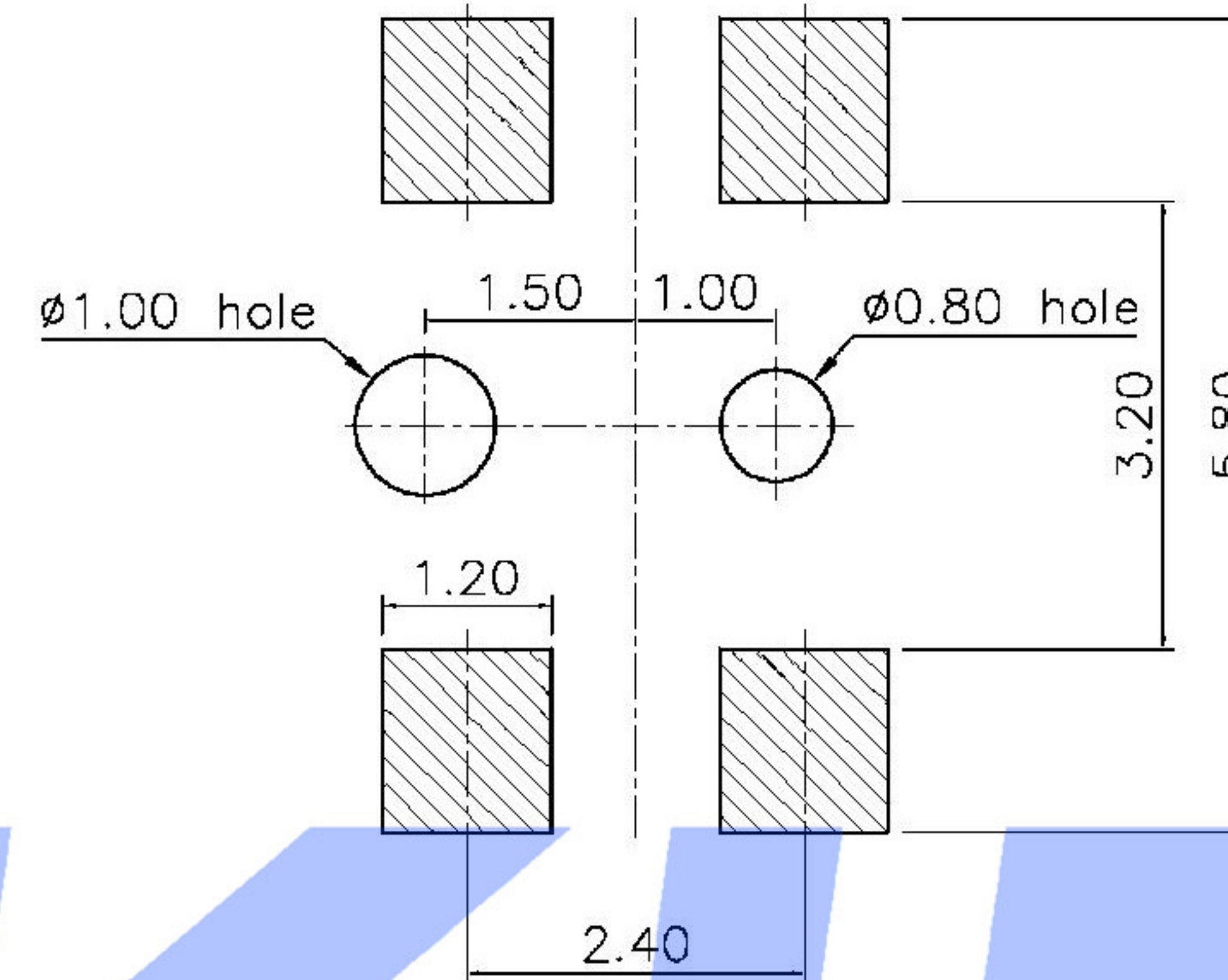
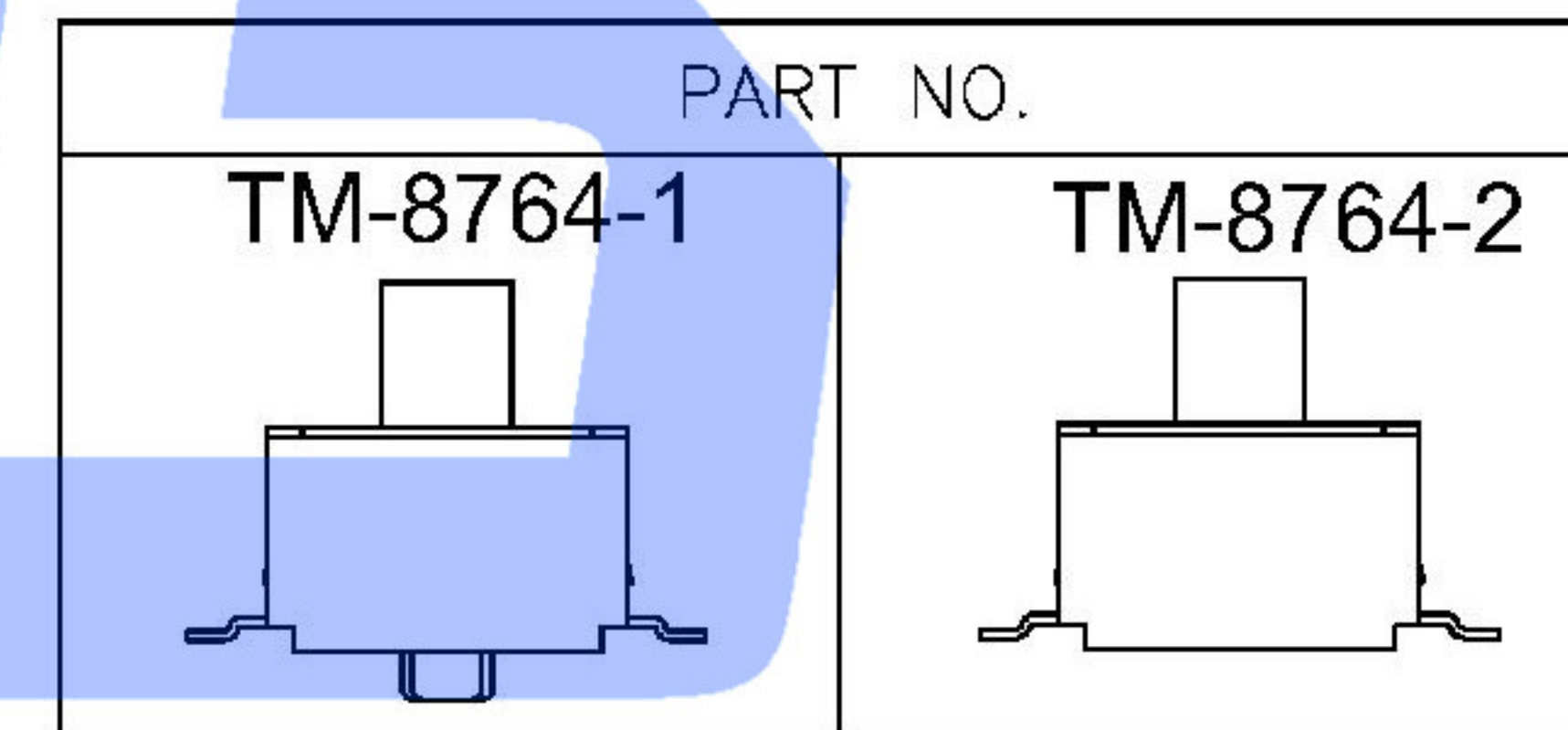
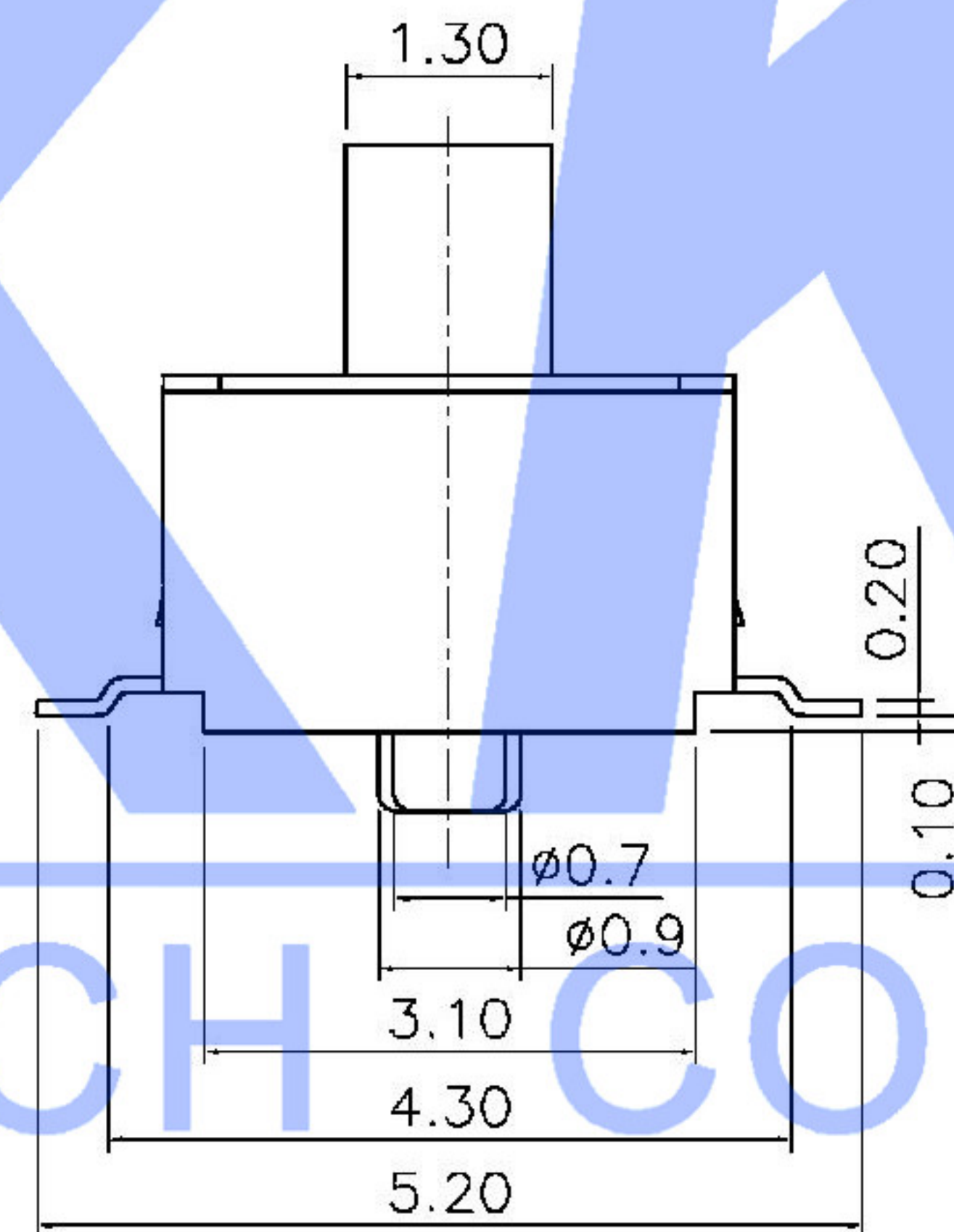
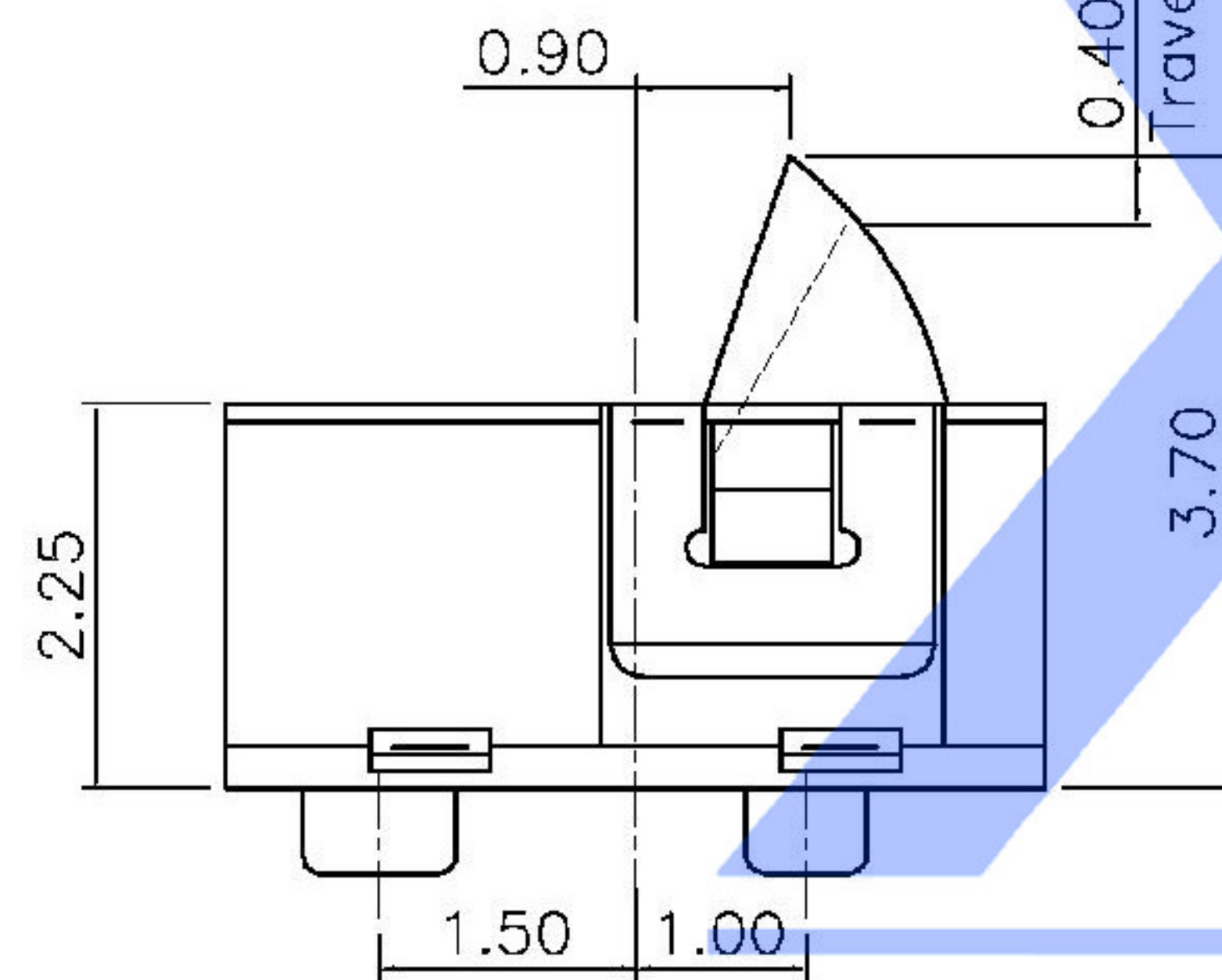


Circuit Diagram



PCB Layout(Pattern side)

NOTE:  
 Rating: DC 30V 0.1A  
 Operating Force: 30±10gf  
 Lifetime: 100,000 Cycles  
 Operating Force: 25±10gf



# SWITCH CONNECTOR

ITEM	PAPT NAMF	TER,NO	QTY	MATERIAL	FINISHING	REMARK
⑤	Contact Spring	—	1	Phosphor Bronze	Plating silver	—
④	Terminal	—	4	Phosphor Bronze	Plating silver	—
③	Base	—	1	Lcp		—
②	Cover	—	1	Sus	Natural	—
①	Keystake	—	1	Nylon		—

MARK	DESCRIPTION	DATE	REVISED	APPROVED	UNSPECIFIED TOLERANCES	DSND	DATE	SCALE: N/A	MODEL TYPE: DETECT SWITCH		
ΔX					ANGLAR ±5°	DWN	DATE	VIEW:	PART NO.:		
ΔX					X.X ±0.2mm	CHKD	DATE	UNIT: mm	DWG NO.: TM-8764-X		
ΔX					X.XX ±0.1mm	APPD	DATE	SIZE: A4			
ΔX					X.XXX ±0.05mm						
REVISIONS						XKB INDUSTRIAL PRECISION CO.,LIMITED			WEIGHT	SHEET	REVISION
www.xk-dg.cn www.helloxkb.com www.helloxkb.cn									1.0g	1/1	A0