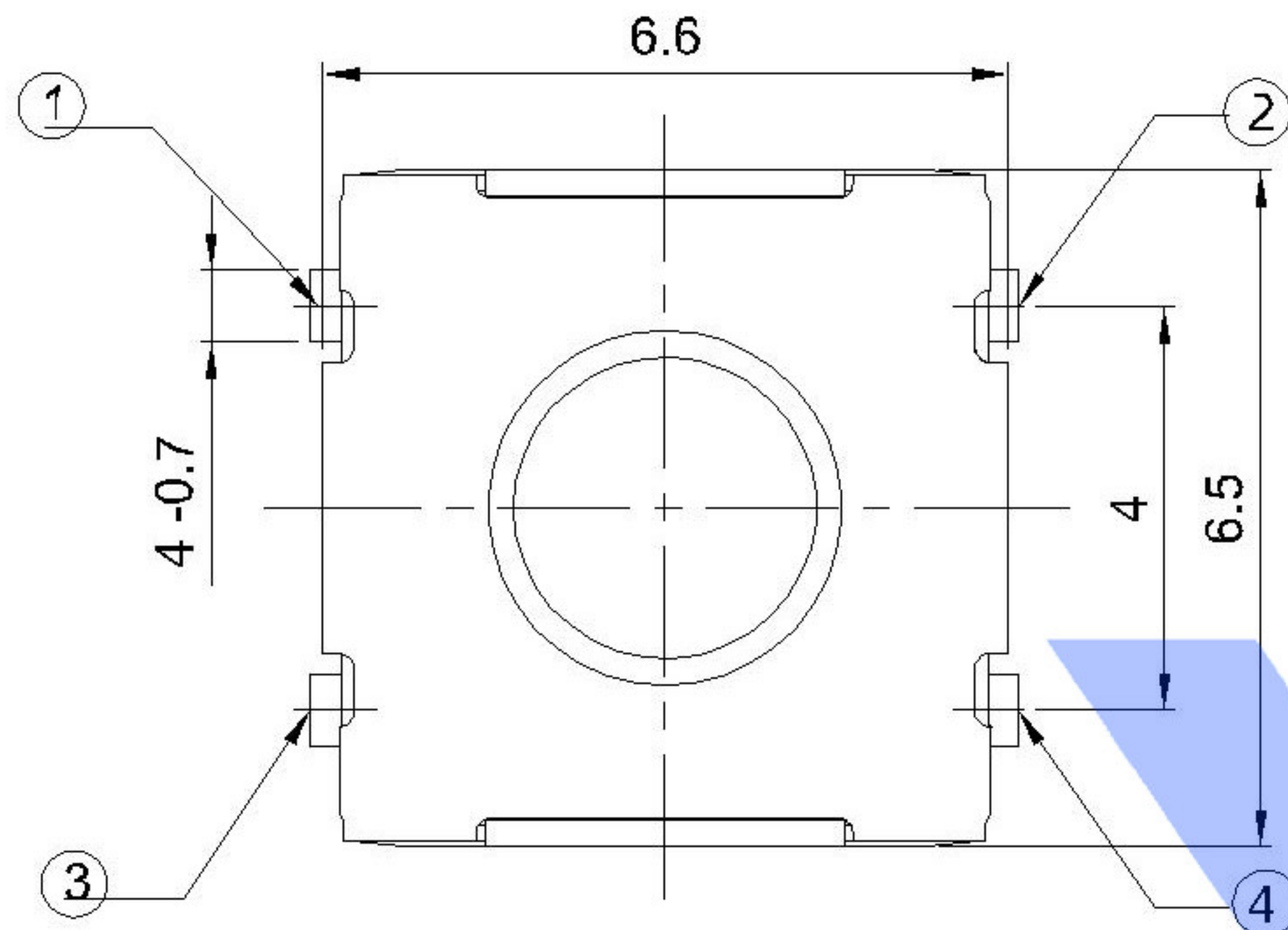
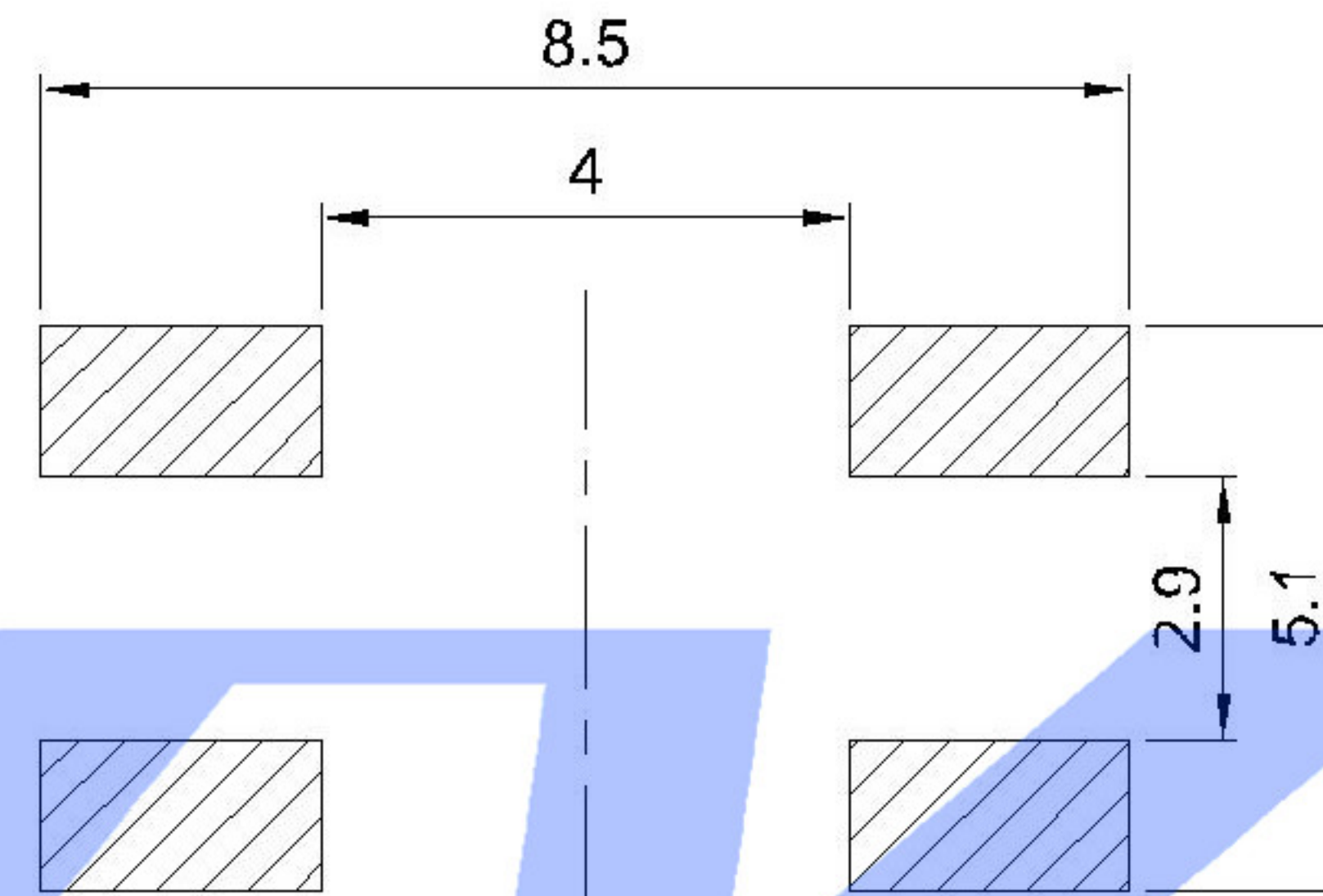


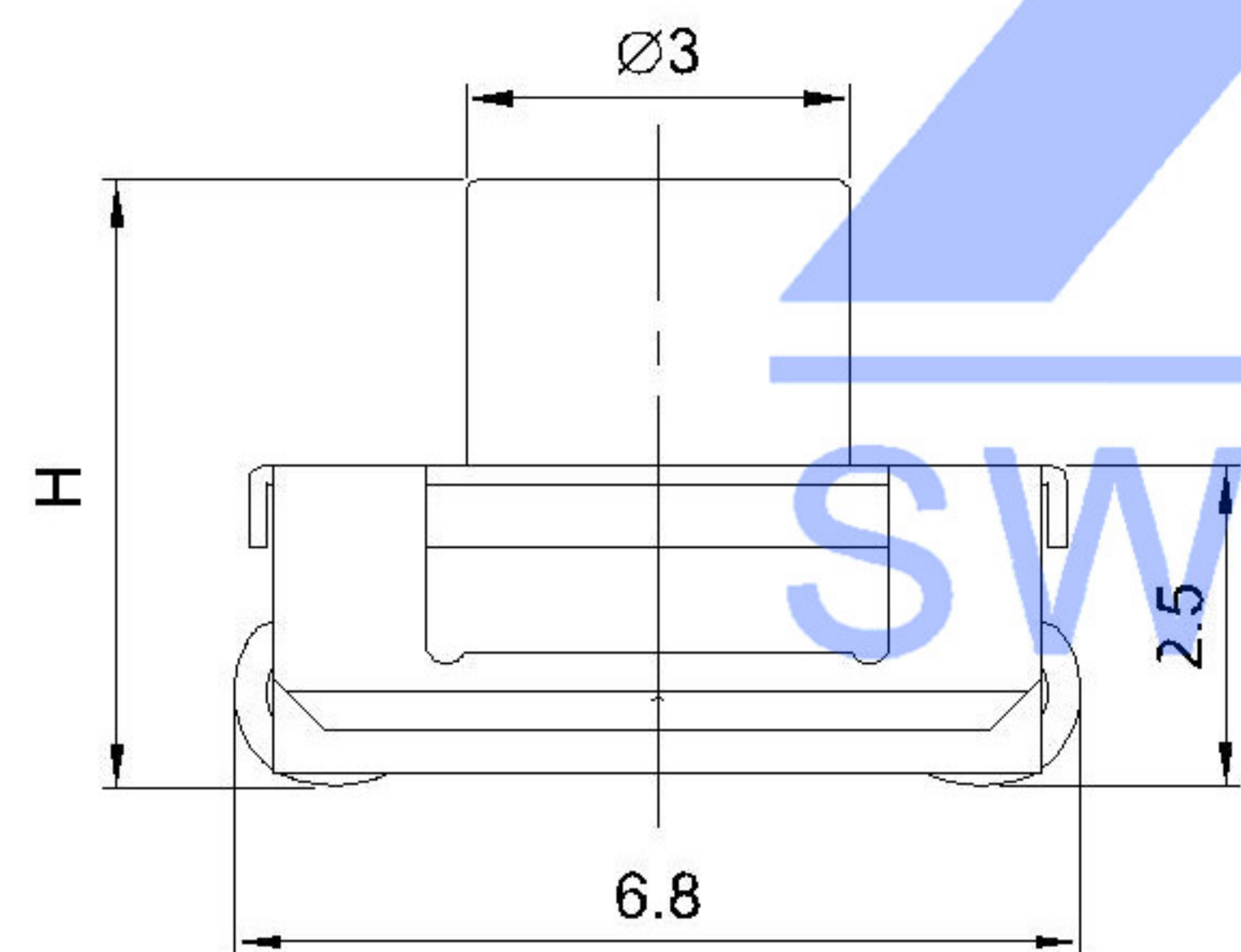
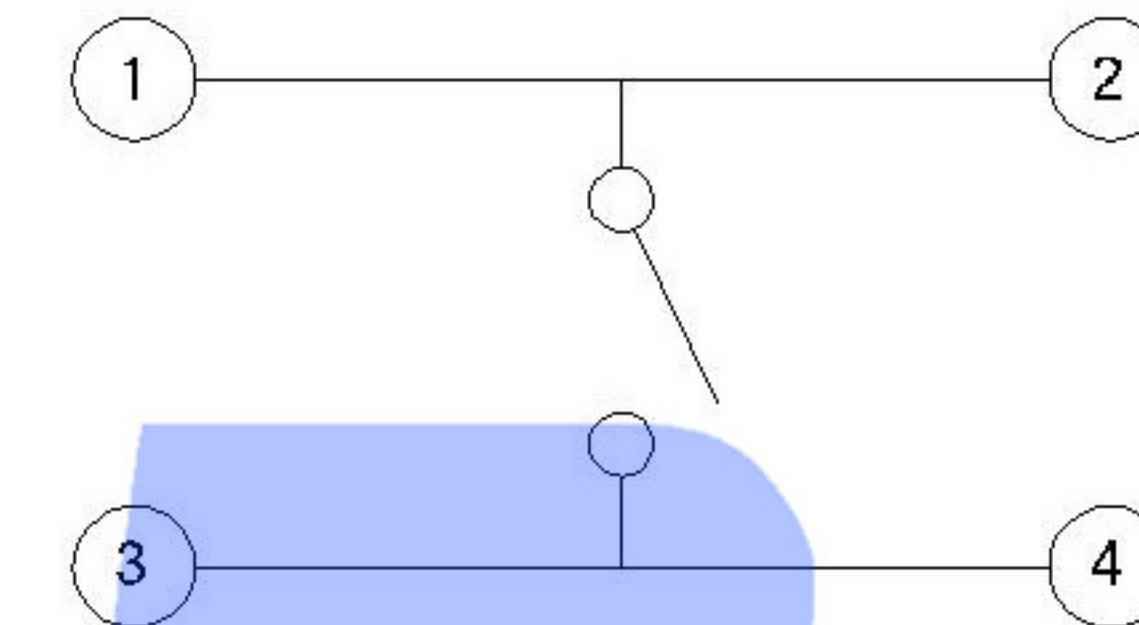
IP65



SMD REFLOW PATTERN (N/S : ±0.1)



CIRCUIT DIAGRAM



SPECIFICATION

Contact Rating : 50mA, 12V DC
 Contact Resistance : 100mΩ max
 Insulation Resistance : 100mΩ min.500V DC
 Dielectric Strength : 250V AC/1minute
 Travel : 0.25mm
 Operating Temp : -30°C~+85°C
 Storage Temp : -30°C~+80°C

PAPT NO	TS-1158UB-X-X-X
Operating Force	B: 160gf C: 260gf E: 400gf
Height	II: A: 3.1 B: 3.5 C: 4.3 D: 5.0
color	BL: blue W: white

ITEM	PAPT NAMF	TER,NO	QTY	MATERIAL	FINISHING	REMARK
⑤	Terminal	—	4	Brass (0.30t)	Plating silvering	—
④	Contact	—	1	F.ag/Sus	Natural	—
③	Base	—	1	Pa46		—
②	Cover	—	1	Spcc	Plating Nickel	—
①	Keystake	—	1	Silica gel		—

MARK	DESCRIPTION	DATE	REVISED	APPROVED	units: mm tolerance: X.X ±0.2mm X.XX ±0.1mm X.XXX ±0.05mm	UNSPECIFIED TOLERANCES	DSND	DATE	SCALE: N/A	MODEL TYPE: TACT SWITCH	WEIGHT	SHEET	REVISION
ΔX							DWN	DATE	VIEW:	PART NO.:	1.0g	1/1	A0
ΔX							CHKD	DATE	UNIT: mm	DWG NO.:			
ΔX							APPD	DATE	SIZE: A4	TS-1158UB-X-X-X			
www.xk-dg.cn www.helloxkb.com www.helloxkb.cn							XKB INDUSTRIAL PRECISION CO., LIMITED						