



## MXD8627

0.1-3.0GHz SP2T Switch



This document contains information that is confidential and proprietary to Maxscend Technologies Inc. (Maxscend) and may not be reproduced in any form without express written consent of Maxscend. No transfer or licensing of technology is implied by this document.



## General Description

The MXD8627 is a CMOS silicon-on-insulator (SOI), single-pole, dual-throw (SP2T) receive switch. The high linearity performance and low insertion loss makes the device an ideal choice for GSM/WCDMA/LTE handset and data card applications.

The MXD8627 SP2T switch is provided in a compact Quad Flat No-Lead (QFN) 1.15mm x 1.15mm x 0.55mm package. A functional block diagram is shown in Figure 1. The pin configuration and package are shown in Figure 2. Signal pin assignments and functional pin descriptions are provided in Table 1.

## Applications

- GSM/WCDMA/LTE receive
- 802.11a/b/g/n WLANs

## Features

- Broadband frequency range: 0.1 to 3.0 GHz
- Low insertion: 0.50 dB @ 2.7 GHz
- High isolation: 25 dB up to 2.7 GHz
- No external DC blocking capacitors required
- Positive low voltage control: VC = 1.6 to 3.00 V, VDD = 2.5 to 3.0 V
- Small QFN (9-pin, 1.15mm x 1.15mm x 0.55mm) package

## Functional Block Diagram and Pin Function

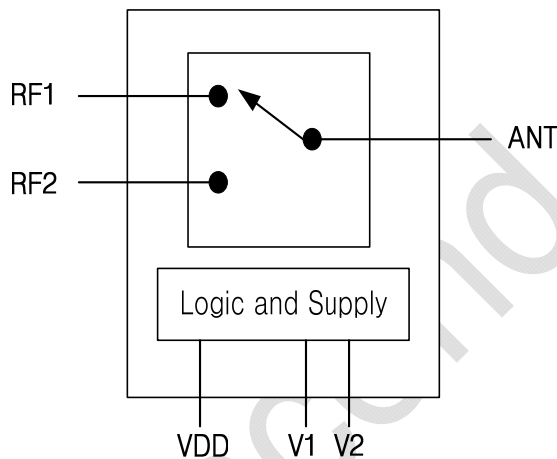


Figure 1. Functional Block Diagram

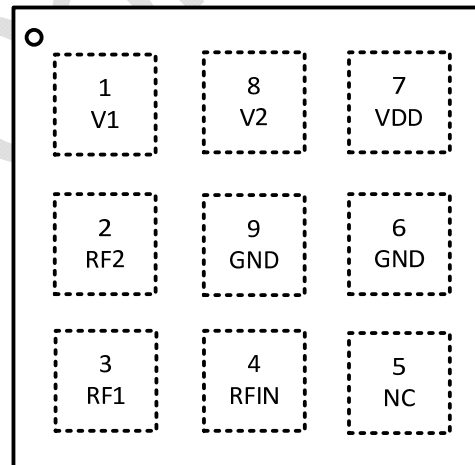
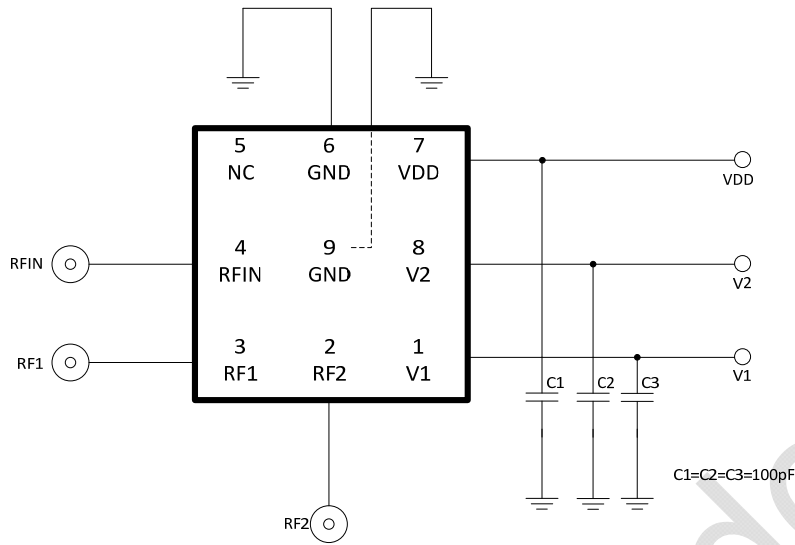


Figure 2. Pin-out (Top View)

**Application Circuit**

**Figure 3. MXD8627 Application Circuit**
**Table 1. Pin Description**

Pin No.	Name	Description	Pin No.	Name	Description
1	V1	Control Pin 1	6	GND	Ground
2	RF2	RF-Port 2	7	VDD	Power Supply
3	RF1	RF-Port 1	8	V2	Control Pin 2
4	RFin	RF Input	9	GND	Ground
5	NC	Not Connected			

**Truth Table**
**Table 2.**

V1	V2	Active Path
0	0	OFF
1	0	ANT to RF1
1	1	ANT to RF2

Note: "1" = 1.0 V to 3.00 V. "0" = -0 V to +0.3 V.

**Recommended Operation Range**
**Table 3.**

Parameters	Symbol	Min	Typ	Max	Units
Operation Frequency	f1	0.1	-	3.0	GHz
Power supply	V <sub>DD</sub>	2.5	2.8	3.0	V
Switch Control Voltage High	V <sub>CTL H</sub>	1.6	1.8	3.0	V
Switch Control Voltage Low	V <sub>CTL L</sub>	0	0	0.3	V

**Specifications**
**Table 4. Electrical Specifications**

Parameter	Symbol	Specification			Units	Test Condition
		Min.	Typical	Max.		
<b>DC Specifications</b>						
Control voltage: Low	$V_{CTL\_L}$	0	+1.8	0.3	V	
High	$V_{CTL\_H}$	1.60		3.00	V	
Supply voltage	$V_{DD}$	2.5	2.8	3.0	V	
Supply current	IDD		20		uA	VDD = 2.8 V
Control current	Ictl		1		uA	VC= 1.8 V
<b>RF Specifications</b>						
Insertion loss	IL		0.30	0.40	dB	0.8 to 1.0 GHz
			0.40	0.50	dB	1.0 to 2.2 GHz
			0.50	0.60	dB	2.2 to 3.0 GHz
Isolation	ISO	30	35		dB	0.8 to 1.0 GHz
		24	28		dB	1.0 to 2.2 GHz
		20	24		dB	2.2 to 3.0 GHz
Return loss	S11		15		dB	0.8 to 3.0 GHz
3rd Order Input Intercept Point	IIP3	+60	+70		dBm	0.8 to 3.0 GHz, $\Delta F = 1$ MHz, PIN = +20 dBm/tone
Input 0.1 dB compression point	P0.1dB		+29		dBm	0.8 to 3.0 GHz
2nd harmonic	2fo		+83		dBc	0.8~3GMHz, PIN = +26 dBm
3rd harmonic	3fo		+70		dBc	0.8~3GMHz, PIN = +26 dBm
Switching on time			100		ns	50% VCTL to 10/90% RF
Switching off time			100		ns	50% VCTL to 90/10% RF
Startup time			300		ns	Shutdown state to any RF switch state

**Absolute Maximum Ratings**
**Table 5. Maximum ratings**

Parameters	Symbol	Minimum	Maximum	Units
Supply voltage	$V_{DD}$	+2.5	+3.0	V
Digital control voltage	$V_{CTL}$	0	+3.0	V
RF input power	$P_{IN}$		+29	dBm
Operating temperature	$T_{OP}$	-30	+85	°C
Storage temperature	$T_{STG}$	-55	+150	°C
Electrostatic discharge: Human Body Model (HBM), Class 1C Machine Model (MM), Class A	ESD		2000	V
			100	V

**Note:** Exposure to maximum rating conditions for extended periods may reduce device reliability. There is no damage to device with only one parameter set at the limit and all other parameters set at or below their nominal value. Exceeding any of the limits listed here may result in permanent damage to the device.

Package Outline Dimension

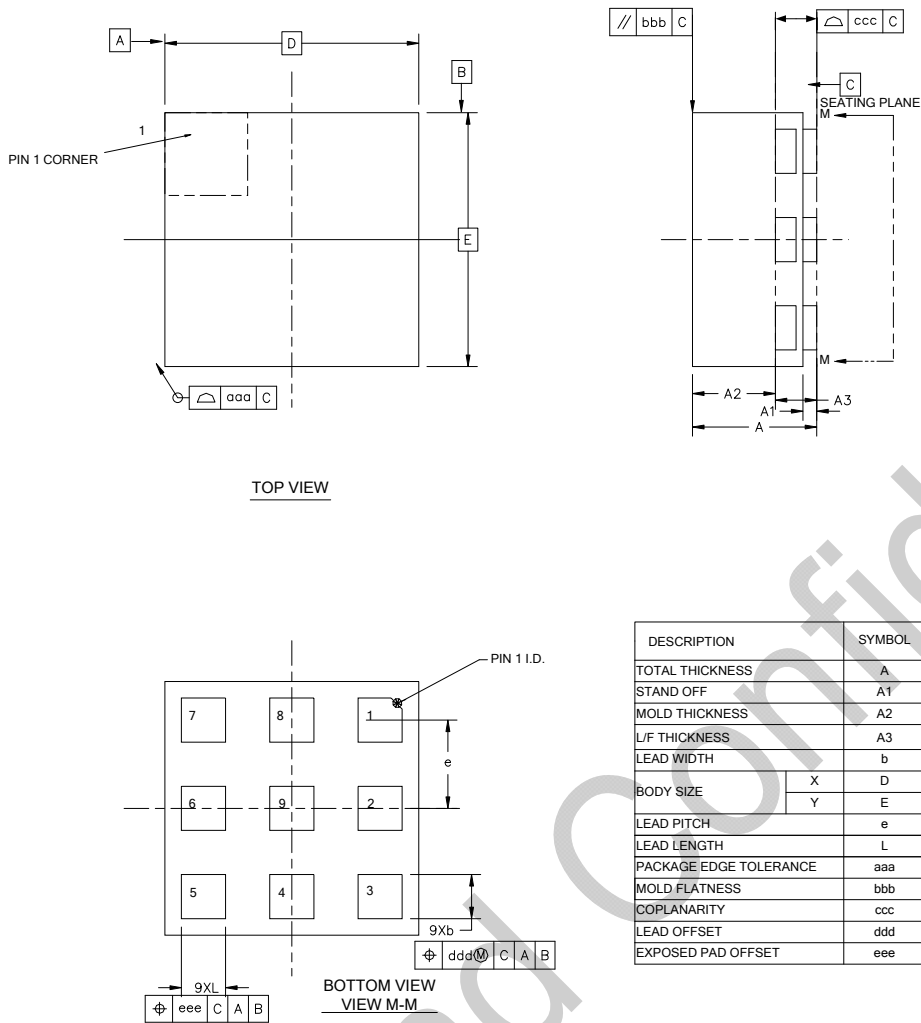
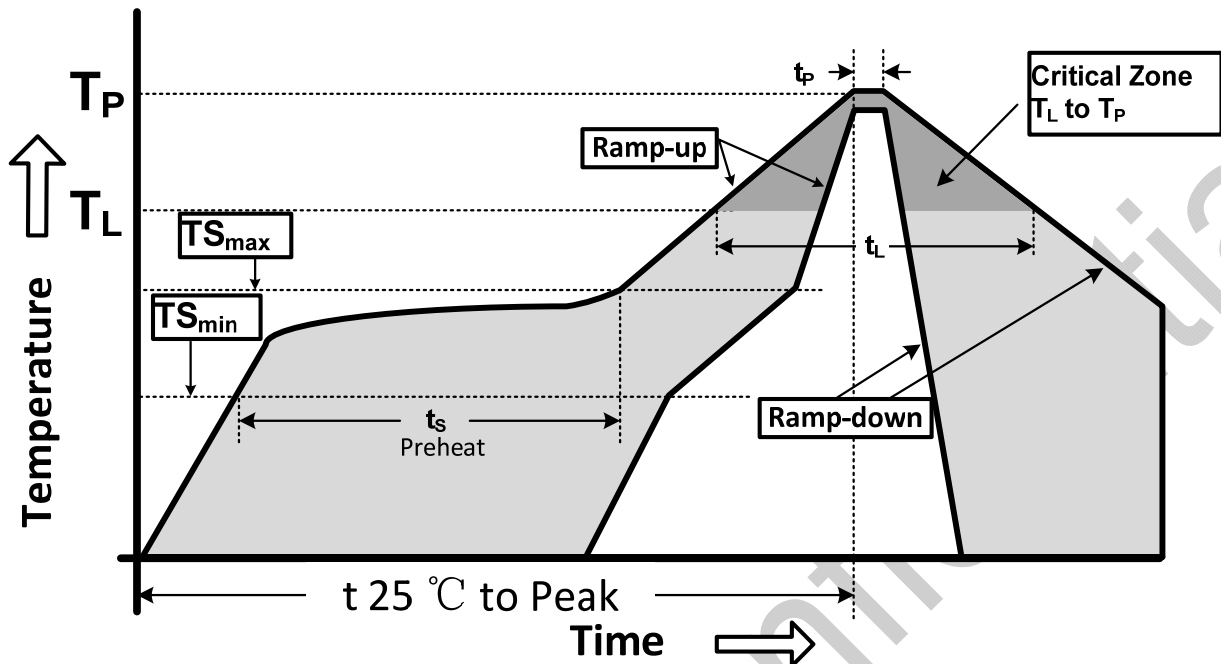


Figure 4. Package outline dimension

Maxscend Confidential

## Reflow Chart



Fi

Figure 5. Recommended Lead-Free Reflow Profile

Table 6.

Profile Parameter	Lead-Free Assembly, Convection, IR/Convection
Ramp-up rate ( $TS_{max}$ to $T_p$ )	3°C/second max.
Preheat temperature ( $TS_{min}$ to $TS_{max}$ )	150°C to 200°C
Preheat time ( $t_s$ )	60 - 180 seconds
Time above $T_L$ , 217°C ( $t_L$ )	60 - 150 seconds
Peak temperature ( $T_p$ )	260°C
Time within 5°C of peak temperature( $t_p$ )	20 - 40 seconds
Ramp-down rate	6°C/second max.
Time 25°C to peak temperature	8 minutes max.

### ESD Sensitivity

Integrated circuits are ESD sensitive and can be damaged by static electric charge. Proper ESD protection techniques should be used when handling these devices.

### RoHS Compliant

This product does not contain lead, mercury, cadmium, hexavalent chromium, polybrominated biphenyls (PBB) and polybrominated diphenyl ethers (PBDE), and are considered RoHS compliant.