

# DATA SHEET 数据表

**BONSDA CODE :** MSSR-16  
代码

**DESCRIPTION :** ROTARY DIP SWITCH  
描述

## CUSTOMER APPROVAL

客户确认

**PART NO. :** \_\_\_\_\_  
料号

**SIGNATURES :** \_\_\_\_\_  
签章

## SHENZHEN ZIGENG TECHNOLOGY CO. , LTD

ADDRESS D BUILDING 3TH FLOOR,ZIGENG RODA NO.49,KENGZI STREETS,  
PINGSHAN NEW DISTRICT, SHENZHEN, GUANGDONG PROVINCE, CHINA

TEL +86 755-8451 7080

FAX +86 755-2782 3630

E-MAIL LINSL@ZIGKJ.COM

WEBSITE WWW.ZIGKJ.COM

**1. Style:**

This specification describes "Rotary Switch" mainly used as signal switch of electric devices with the general requirements of mechanical and electrical characteristics.

1.1 Operating / Storage Temperature Range : -40°C ~ +85°C

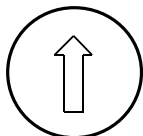
**2. Current Range:**

2.1 None-Switching : 200mA, 42V

2.2 Switching : 150mA, 42V

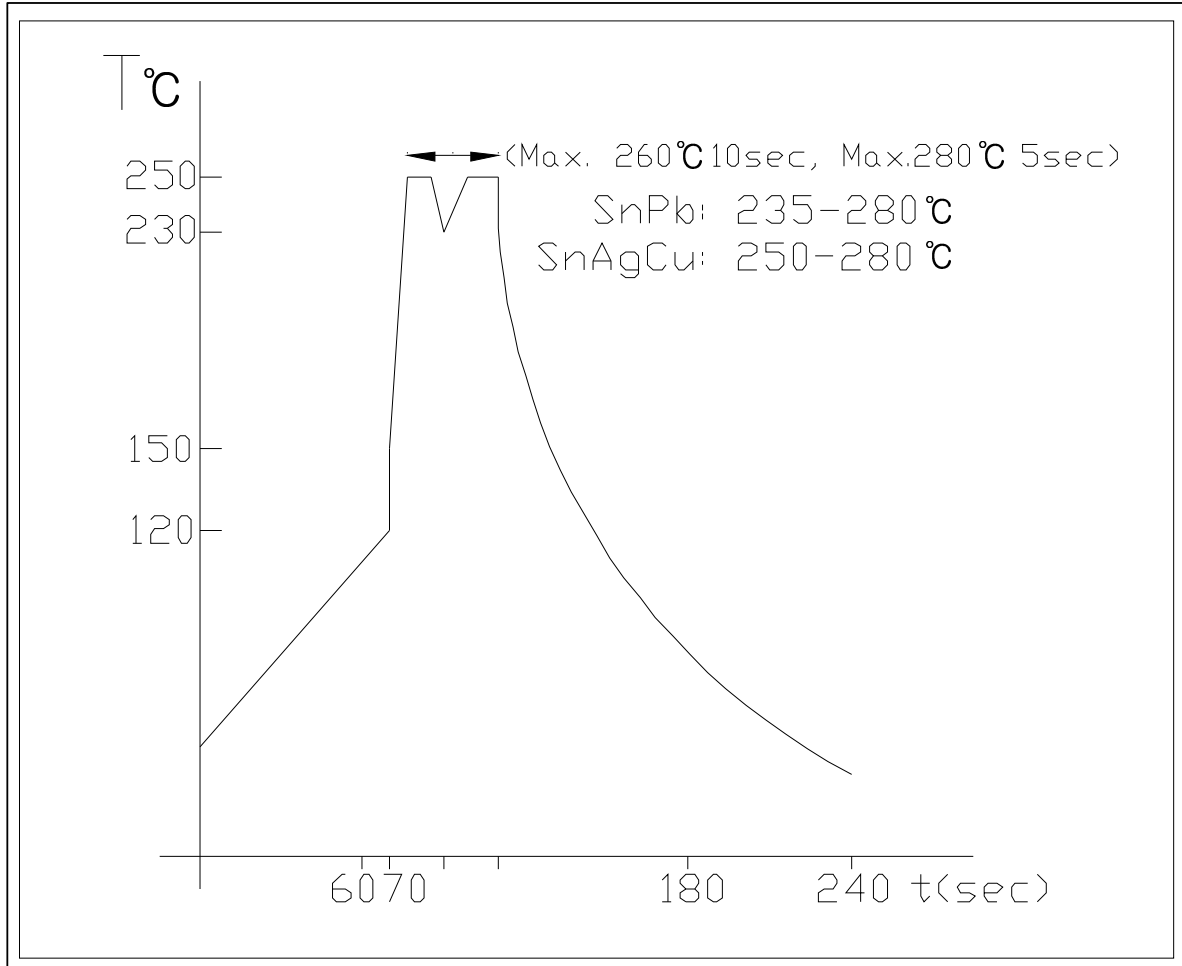
**3. Type of Actuation : Rotating**

**4. Test Sequence :**

	ITEM	DESCRIPTION	TEST CONDITIONS	REQUIREMENTS
<b>ELECTRIC PERFORMANCE</b>	1	Visual Examination	By visual examination check without any out pressure & testing.	There shall be no defects that affect the serviceability of the product
	2	Contact Resistance	① To be measured between the two terminals associated with each switch pole ② Measurements shall be made with a 1kHz shall current contact resistance meter	80mΩ max
	3	Insulation Resistance	250V DC, 1minute ±5seconds	100MΩ min
	4	Dielectric withstanding Voltage	250V AC(50Hz or 60Hz)shall be applied between all the adjacent terminal and between the terminal and the frame For 1 minute	There shall be no breakdown or flash over
<b>MACHIN</b>	5	Operation Force	Applied in the direction of operation 	700gf/cm. max

<b>P E R F O R M A N C E</b>	6	<b>Operation Life</b>	<p>Measurements shall be made following the test set forth below:</p> <p>1)150mA, 42V DC resistive load 2)Rate of operation: 15~20 cycles/ minute 3)Step of operation: 10,000 steps</p>	<p>1)As shown in item 3,4 2)Contact Resistance: 200mΩ max 3)Final-after test</p>	
	<b>W E A T H E R  P R O O F</b>	7	<b>Resistance Low Temperature</b>	<p>Following the test set forth below the sample shall be left in normal temperature and humidity conditions for an hour before measurements are made:</p> <p>1)Temperature: -40℃ ±3℃ 2)Time: 96 hours</p>	As shown in item 2~5
		8	<b>Resistance High Temperature</b>	<p>Following the test set forth below the sample shall be left in normal temperature and humidity conditions for an hour before measurements are made:</p> <p>1)Temperature: 85℃ ±2℃ 2)Time: 96 hours</p>	<p>1)As shown in item 3~5 2)Contact Resistance: 200mΩ max</p>
9		<b>Resistance Humidity</b>	<p>Following the test set forth below the sample shall be left in normal temperature and humidity conditions for an hour before measurements are made:</p> <p>1)Temperature: 40℃ ±2℃ 2)Relative humidity: 90~95% 3)Time: 96 hours</p>	<p>1)As shown in item 4 2)Contact Resistance: 200mΩ max 3)Insulation Resistance: 10MΩ min</p>	

**5. Wave Soldering Conditions:**



**6. manual Soldering**

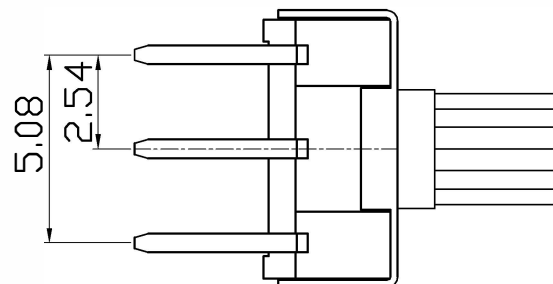
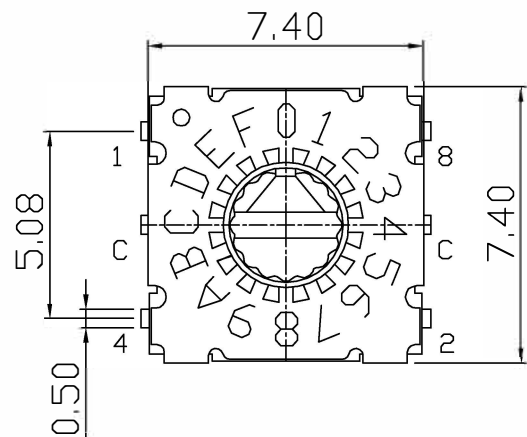
: Max. 350°C Max. 3sec

**7. This item is "ROHS" Compliant**

**8. Part List**

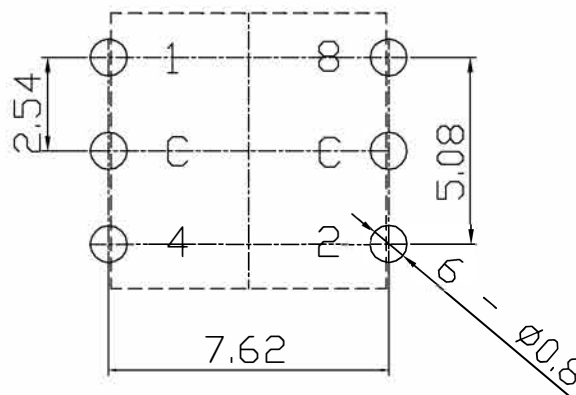
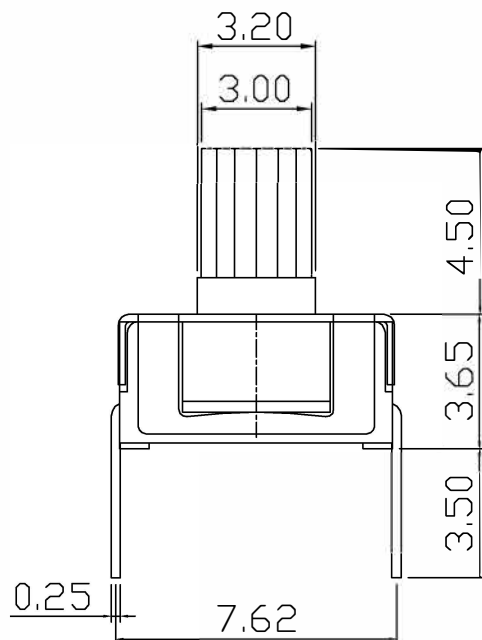
NO	PART NAME	Q'TY	MATERIALS	TREATMENT	REMARK
1	COVER	1	PA66		Print:Black
2	BASE	1			
3	ACTUATOR	1	POM		
4	CONTACT & TERMINAL	1	PHOSPHOR BRONZE	CONTACT AND TERMINAL PLATING: GOLD PLATING OVER NICKEL	Au0.07 $\mu$ m Min Ni0.1 $\mu$ m Min
5	PCB	1	EPOXY	PLATING: GOLD PLATING	Au0.05 $\mu$ m Min
6	O-Ring	1	SILICONE		

MARK	DATE	REMARKS
△		
△		



### SPECIFICATION

- Operating Voltage : 42v  
(None-Switching: 400mA)  
(Switching : 100mA)
- Contact Resistance : 80mΩ Max
- Insulation Resistance : 100MΩ Min
- Operating Force : 120gf ±30gf Max
- Life cycle : 25,000 steps



P.C.B DIMENSION

		Real Coded				
		C	1	2	4	8
10 P o s i t i o n	0	●				
	1	●	●			
	2	●		●		
	3	●	●	●		
	4	●			●	
	5	●	●		●	
	6	●		●	●	
	7	●	●	●	●	
	8	●				●
	9	●	●			●
16 P o s i t i o n	A	●		●		●
	B	●	●	●		●
	C	●			●	●
	D	●	●		●	●
	E	●		●	●	●
	F	●	●	●	●	●

APPD	CHKD	D'SGD	TITLE	MINI ROTARY DIP SWITCH	
K.L LEE	J.P ROH	J.S SIN	MODEL NO.	MSSR-16	REV   A
 BONSDA 深圳市子庚科技有限公司					