

規格承認書

PECIFICATION FOR APPROVAL

客戶
CUSTOMER : 立創

項目
ITEM : 压电无源蜂鸣器 (外部驱动)

型號
TYPE : **GSC1031YB-3V4000**

描述
DESCRIPTION : $\phi 10 \times H3.1 \text{ mm}$ 4000Hz 3V $\geq 75\text{dB}$ LCP 材质 正发音

客戶料號
CUSTOMER NO. :

規格書號
SPECIFICATION NO.:

版本
EDITION NO. : V1.0

日期
DATE : 2019-12-26

客戶承認

CUSTOMER CONFIRM AND SIGN

檢查 TESTED BY	審核 CHECKED BY	承認 APPROVED BY

東莞市贏海電子有限公司

DONGUAN INGHAİ ELECTRONICS CO.,LTD

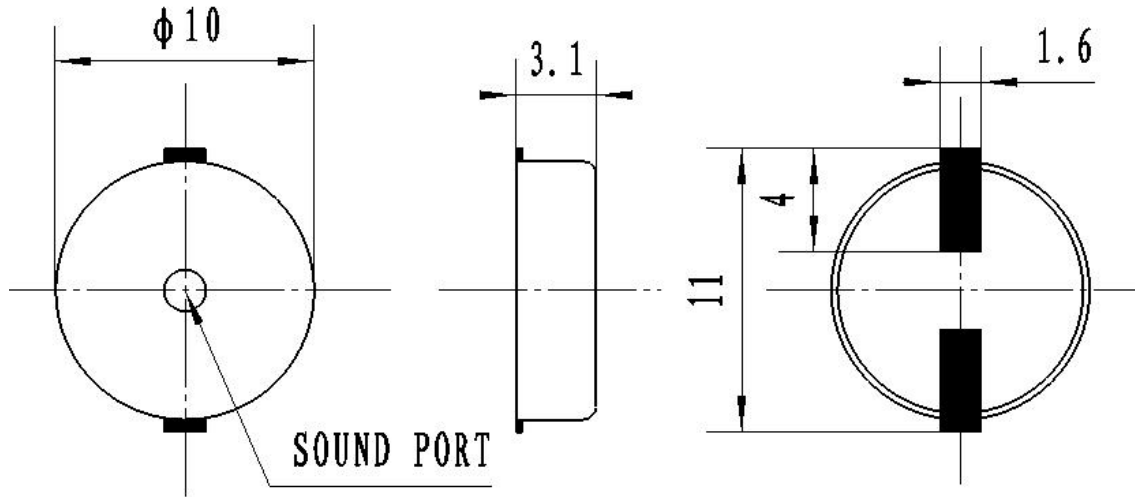
製作 ISSUED BY	審查 CHECKED BY	確認 APPROVED BY
周明	刘承成	

地址：廣東省東莞市長安鎮上沙第五工业区新科技园
電話 / TEL: 0769-83060958 傳真 / FAX: 0769-81608993
網址: HTTP://WWW.INGHAİ.COM

DONGGUAN INGHAI ELECTRONICS CO.,LTD

Model NO: GSC1031YB-3V4000

A: DIMENSIONS Unit:mm Tolerance: ± 0.5



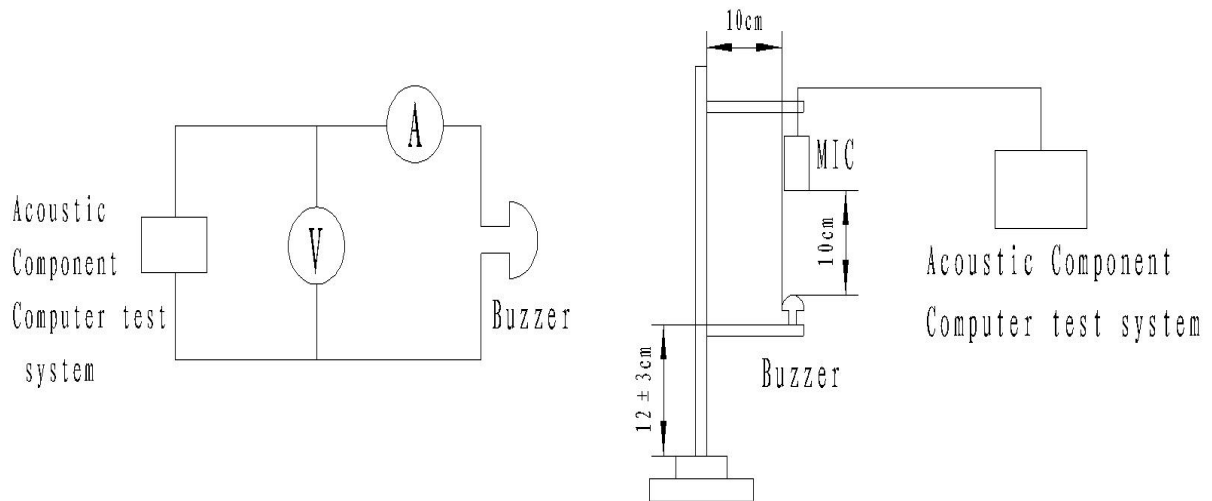
B: SPECIFICATIONS

Model NO	GSC1031YB
Rated Voltage	3 Vp-p
Operating Voltage	1 ~ 30Vp-p
Max.Rated Current	Max.3mA
sound Pressure level(dB/min)at 10cm	Min. 75dB
Resonant Frequency	4000 \pm 300Hz
Capacitance	10000 \pm 30%
Operating Temperature	-20 $^{\circ}$ C ~ +60 $^{\circ}$ C
Storage Temperature	-30 $^{\circ}$ C ~ +70 $^{\circ}$ C
Case material and color	LCP / Black

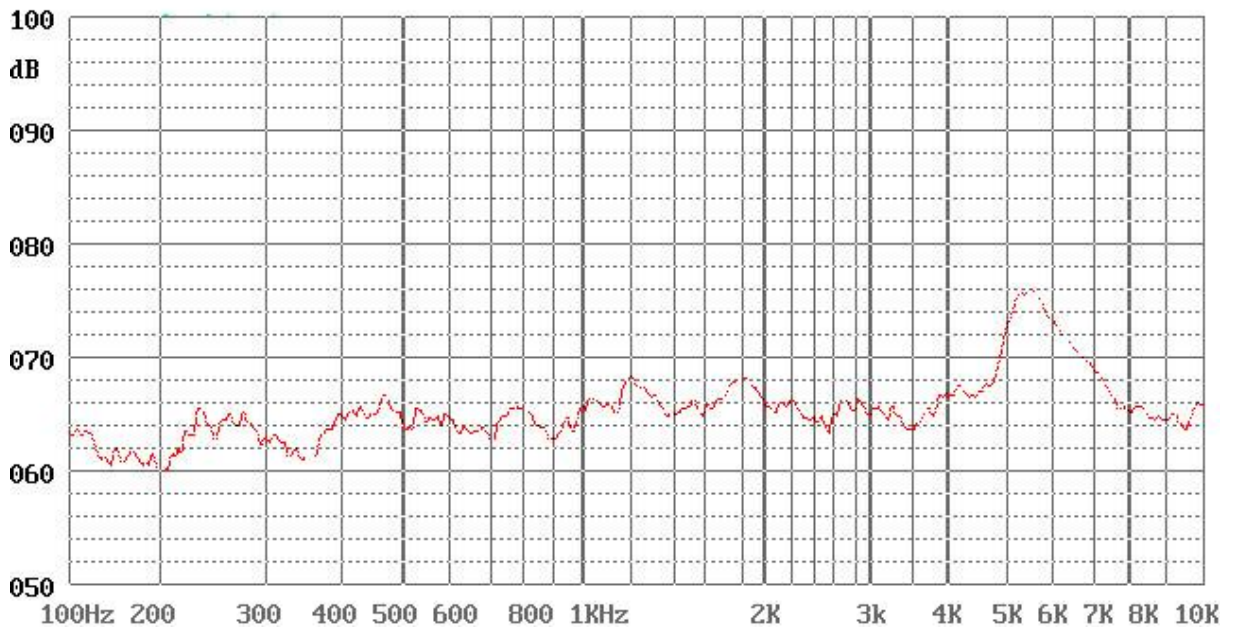
Measuring condition

Part shall be measured under a condition (Temperature: 5 ~ 35 $^{\circ}$ C, Humidity: 45% ~ 85%R.H., Atmospheric pressure: 860 ~ 1060hPa) unless the standard condition (Temperature: 25 \pm 3 $^{\circ}$ C, Humidity: 60 \pm 10%R.H. Atmospheric pressure: 860 ~ 1060hPa) is regulated to measure.

C: Electrical And Acoustical Measuring Condition



FREQUENCY RESPONSE:



D: Reliability Test

After any following tests the part shall meet specifications without any degradation in appearance and performance except SPL. SPL shall not deviate more than -10 dB from the initial value

1. Ordinary Temperature Life Test

The part shall be subjected to 96 hours at $25 \pm 10^{\circ}\text{C}$. Input rated voltage Resonant frequency, 1/2 duty Square wave.

2. High Temperature Test

The part shall be capable of with standing a storage temperature of $+70^{\circ}\text{C}$ for 96 hours.

3. Low Temperature Test

The part shall be capable of with standing a storage temperature of -30°C for 96 hours.

4. Humidity Test

Temperature: $+40^{\circ}\text{C} \pm 3^{\circ}\text{C}$ Relative Humidity: 90% ~ 95% Duration: 48 hours and expose to room temperature for 6 hours

5. Temperature Shock Test

Temperature: 60°C /1hour \rightarrow 25°C /3hours \rightarrow -30°C /1hour \rightarrow 25°C /3hours (1cycle)
Total cycle: 10 cycles

6. Drop Test

Standard Packaging From 120mm (Drop on hard wood or board of 5cm thick, three sides, six plain.)

7. Vibration Test

Vibration: 1000cycles /min. Amplitude: 1.5mm, Duration: 1 hour in each 3 axes

Note:

As this product is not protected from foreign material entering, please make sure that any foreign materials (e.g. magnetic powder, washing solvent, flux, corrosive gas) do not enter this product in your production processes. The functional degradation (e.g. SPL down) may occur if foreign material enter it.