



2N65-CBS

Preliminary

Power MOSFET

2.0A, 650V N-CHANNEL POWER MOSFET

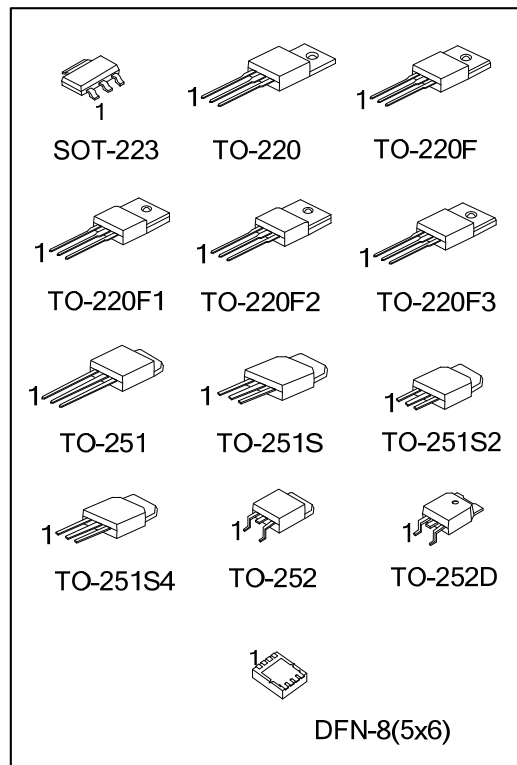
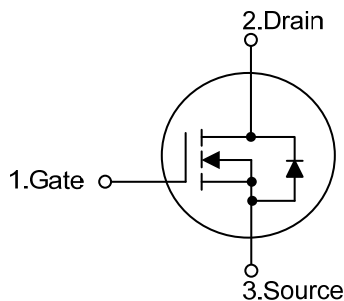
DESCRIPTION

The UTC **2N65-CBS** is a high voltage power MOSFET and is designed to have better characteristics, such as fast switching time, low gate charge, low on-state resistance and have a high rugged avalanche characteristics. This power MOSFET is usually used at high speed switching applications in power supplies, PWM motor controls, high efficient DC to DC converters and bridge circuits.

FEATURES

- * $R_{DS(ON)} < 9.5\Omega$ @ $V_{GS} = 10V, I_D = 1.0A$
- * Fast switching capability
- * Avalanche energy specified
- * Improved dv/dt capability, high ruggedness

SYMBOL



ORDERING INFORMATION

Ordering Number		Package	Pin Assignment								Packing
Lead Free	Halogen Free		1	2	3	4	5	6	7	8	
-	2N65G-AA3-R	SOT-223	G	D	S	-	-	-	-	-	Tape Reel
2N65L-TA3-T	2N65G-TA3-T	TO-220	G	D	S	-	-	-	-	-	Tube
2N65L-TF3-T	2N65G-TF3-T	TO-220F	G	D	S	-	-	-	-	-	Tube
2N65L-TF1-T	2N65G-TF1-T	TO-220F1	G	D	S	-	-	-	-	-	Tube
2N65L-TF2-T	2N65G-TF2-T	TO-220F2	G	D	S	-	-	-	-	-	Tube
2N65L-TF3T-T	2N65G-TF3T-T	TO-220F3	G	D	S	-	-	-	-	-	Tube
2N65L-TM3-T	2N65G-TM3-T	TO-251	G	D	S	-	-	-	-	-	Tube
2N65L-TMS-T	2N65G-TMS-T	TO-251S	G	D	S	-	-	-	-	-	Tube
2N65L-TMS2-T	2N65G-TMS2-T	TO-251S2	G	D	S	-	-	-	-	-	Tube
2N65L-TMS4-T	2N65G-TMS4-T	TO-251S4	G	D	S	-	-	-	-	-	Tube
2N65L-TN3-R	2N65G-TN3-R	TO-252	G	D	S	-	-	-	-	-	Tape Reel
2N65L-TND-R	2N65G-TND-R	TO-252D	G	D	S	-	-	-	-	-	Tape Reel
-	2N65G-K08-5060-R	DFN-8(5×6)	S	S	S	G	D	D	D	D	Tape Reel

Note: Pin Assignment: G: Gate D: Drain S: Source

<p>2N65L-TA3-T</p> <p>(1) Packing Type</p> <p>(2) Package Type</p> <p>(3) Green Package</p>	<p>(1) T: Tube, R: Tape Reel (2) AA3: SOT-223, TA3: TO-220, TF3: TO-220F, TF1: TO-220F1, TF2: TO-220F2, TF3T: TO-220F3, TM3: TO-251, TMS: TO-251S, TMS2: TO-251S2, TMS4: TO-251S4, TN3: TO-252, TND: TO-252D, K08-5060: DFN-8(5×6) (3) L: Lead Free, G: Halogen Free and Lead Free</p>
---	--

MARKING

PACKAGE	MARKING
SOT-223	<p>2N65G</p> <p>Lot Code ← [5 digits] → Data Code</p> <p>1</p>
TO-220 / TO-220F TO-220F1 / TO-220F2 TO-220F3 / TO-251 TO-251S / TO-251S2 TO-251S4 / TO-252 TO-252D	<p>UTC 2N65</p> <p>Lot Code ← [6 digits] → Data Code</p> <p>L: Lead Free G: Halogen Free</p> <p>1</p>
DFN-8(5×6)	<p>UTC [3 digits]</p> <p>2N65</p> <p>Lot Code ← [6 digits] → Date Code</p> <p>Internal Code</p>

■ ABSOLUTE MAXIMUM RATINGS (T_C=25°C, unless otherwise specified)

PARAMETER		SYMBOL	RATINGS	UNIT
Drain-Source Voltage		V _{DSS}	650	V
Gate-Source Voltage		V _{GSS}	±30	V
Avalanche Current (Note 2)		I _{AR}	1.6	A
Drain Current	Continuous	I _D	2.0	A
	Pulsed (Note 2)	I _{DM}	8.0	A
Avalanche Energy	Single Pulsed (Note 3)	E _{AS}	13	mJ
Peak Diode Recovery dv/dt (Note 4)		dv/dt	4.2	V/ns
Power Dissipation	SOT-223	P _D	44	W
	TO-220		54	W
	TO-220F/TO-220F1 TO-220F3		23	W
	TO-220F2		24	W
	TO-251/TO-251S TO-251S2/TO-251S4 TO-252/TO-252D		44	W
	DFN-8(5×6)		22	W
	Junction Temperature		T _J	+150
Storage Temperature		T _{STG}	-55 ~ +150	°C

Notes: 1. Absolute maximum ratings are those values beyond which the device could be permanently damaged.

Absolute maximum ratings are stress ratings only and functional device operation is not implied.

2. Repetitive Rating : Pulse width limited by maximum junction temperature.

3. L=10mH, I_{AS}=1.6A, V_{DD}=50V, R_G=25 Ω, Starting T_J = 25°C

4. I_{SD}≤2.0A, di/dt≤100A/μs, V_{DD} ≤ BV_{DSS}, Starting T_J = 25°C

■ THERMAL DATA

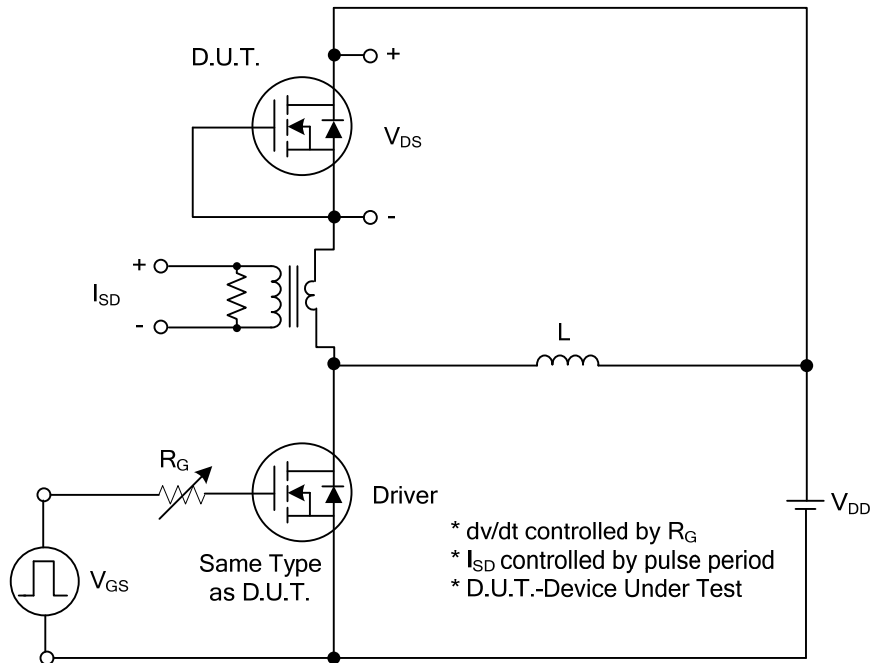
PARAMETER		SYMBOL	RATINGS	UNIT		
Junction to Ambient	SOT-223	θ _{JA}	150	°C/W		
	TO-220/TO-220F TO-220F1/ TO-220F2 TO-220F3		62.5	°C/W		
	TO-251/TO-251S TO-251S2/TO-251S4 TO-252/TO-252D		100	°C/W		
	DFN-8(5×6)		75	°C/W		
	Junction to Case		θ _{JC}	2.84	°C/W	
	SOT-223			2.32	°C/W	
TO-220	5.4	°C/W				
TO-220F/TO-220F1 TO-220F3	5.2	°C/W				
TO-220F2	2.84	°C/W				
TO-251/TO-251S TO-251S2/TO-251S4 TO-252/TO-252D	5.7	°C/W				
DFN-8(5×6)						

■ ELECTRICAL CHARACTERISTICS (T_C=25°C, unless otherwise specified)

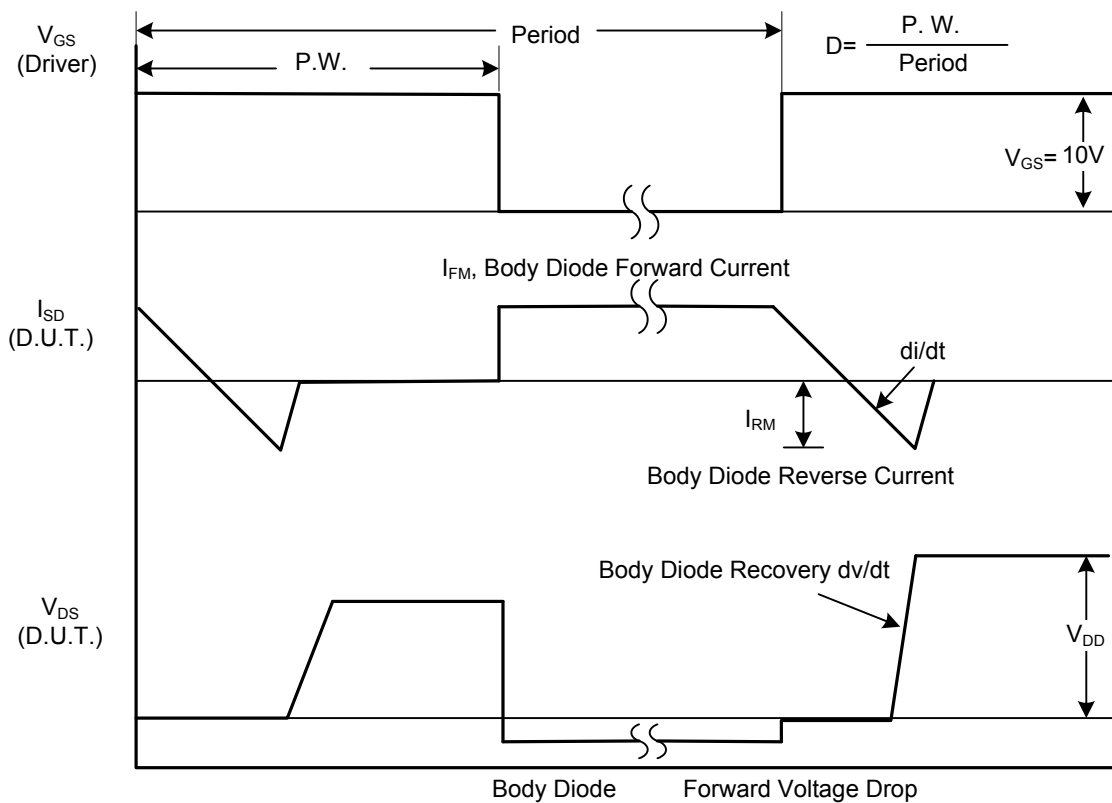
PARAMETER	SYMBOL	TEST CONDITIONS	MIN	TYP	MAX	UNIT
OFF CHARACTERISTICS						
Drain-Source Breakdown Voltage	BV _{DSS}	V _{GS} = 0V, I _D = 250μA	650			V
Drain-Source Leakage Current	I _{DSS}	V _{DS} = 650V, V _{GS} = 0V			1	μA
Gate-Source Leakage Current	Forward	I _{GSS}			100	nA
	Reverse				-100	nA
ON CHARACTERISTICS						
Gate Threshold Voltage	V _{GS(TH)}	V _{DS} = V _{GS} , I _D = 250μA	2.0		4.0	V
Static Drain-Source On-State Resistance	R _{DS(ON)}	V _{GS} = 10V, I _D = 1.0A			9.5	Ω
DYNAMIC CHARACTERISTICS						
Input Capacitance	C _{ISS}	V _{DS} = 25V, V _{GS} = 0V, f = 1MHz		158		pF
Output Capacitance	C _{OSS}			19		pF
Reverse Transfer Capacitance	C _{RSS}			3.5		pF
SWITCHING CHARACTERISTICS						
Total Gate Charge	Q _G	V _{DS} = 50V, V _{GS} = 10V, I _D = 1.3A I _G = 100μA (Note 1, 2)		16		nC
Gate-Source Charge	Q _{GS}			1.8		nC
Gate-Drain Charge	Q _{GD}			1.6		nC
Turn-On Delay Time	t _{D(ON)}	V _{DS} = 30V, V _{GS} = 10V, I _D = 0.5A, R _G = 25Ω (Note 1, 2)		41		ns
Turn-On Rise Time	t _R			2		ns
Turn-Off Delay Time	t _{D(OFF)}			86		ns
Turn-Off Fall Time	t _F			31		ns
DRAIN-SOURCE DIODE CHARACTERISTICS						
Continuous Drain-Source Current	I _{SD}				2.0	A
Pulsed Drain-Source Current	I _{SM}				8.0	A
Drain-Source Diode Forward Voltage	V _{SD}	V _{GS} = 0 V, I _{SD} = 2.0 A			1.4	V
Body Diode Reverse Recovery Time	t _{rr}	V _{GS} = 0 V, I _{SD} = 2.0 A, dI _F /dt = 100A/μs		370		ns
Body Diode Reverse Recovery Charge	Q _{rr}			0.67		μC

Notes: 1. Pulse Test: Pulse width ≤ 300μs, Duty cycle ≤ 2%.
2. Essentially independent of operating temperature.

■ TEST CIRCUITS AND WAVEFORMS

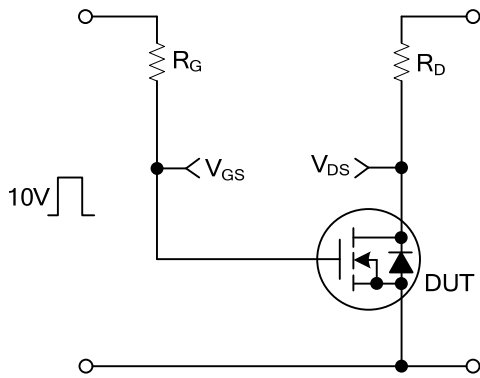


Peak Diode Recovery dv/dt Test Circuit

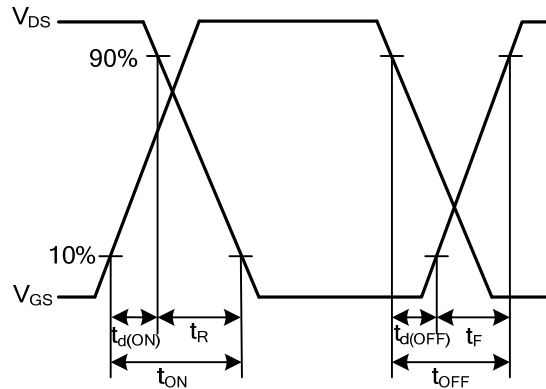


Peak Diode Recovery dv/dt Waveforms

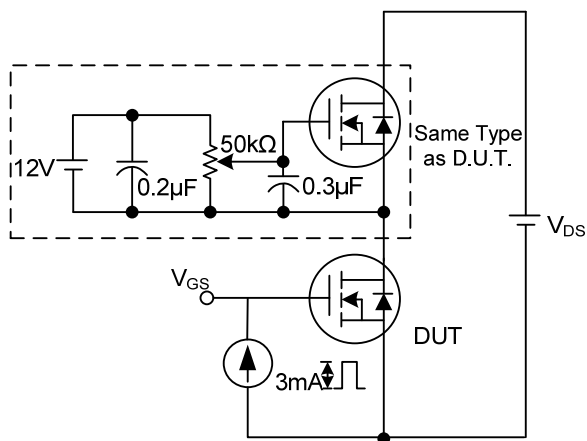
■ TEST CIRCUITS AND WAVEFORMS (Cont.)



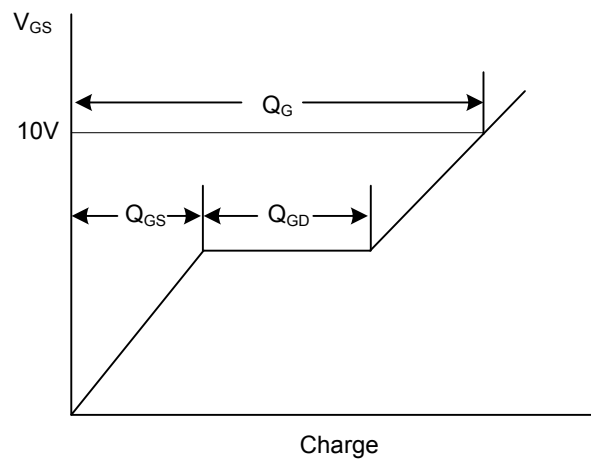
Switching Test Circuit



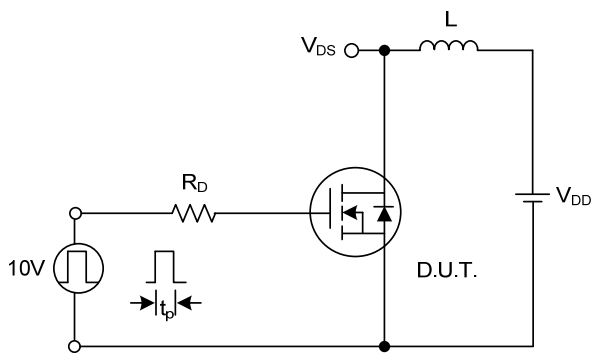
Switching Waveforms



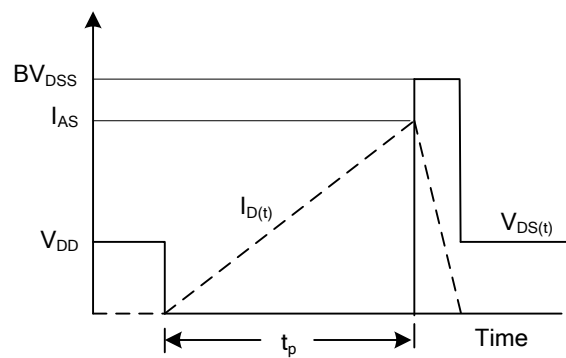
Gate Charge Test Circuit



Gate Charge Waveform



Unclamped Inductive Switching Test Circuit



Unclamped Inductive Switching Waveforms

UTC assumes no responsibility for equipment failures that result from using products at values that exceed, even momentarily, rated values (such as maximum ratings, operating condition ranges, or other parameters) listed in products specifications of any and all UTC products described or contained herein. UTC products are not designed for use in life support appliances, devices or systems where malfunction of these products can be reasonably expected to result in personal injury. Reproduction in whole or in part is prohibited without the prior written consent of the copyright owner. The information presented in this document does not form part of any quotation or contract, is believed to be accurate and reliable and may be changed without notice.