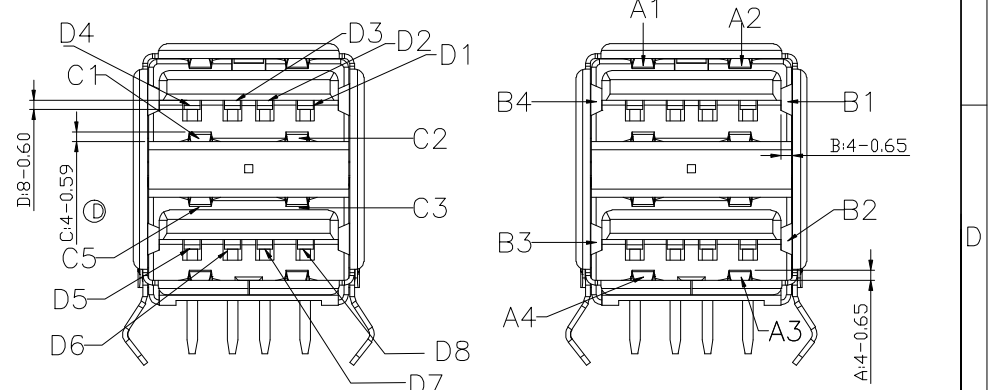


REV.	DATE	ECN NO.	MODIFICATION	APPROVER
E	2015/07/03	RD00315070301	依客户要求变更材质	JACK
F	2015/07/15	RD00315071501	依客户要求更新说明	Jason
F1	2016/02/16	RD00316021601	依客户要求变更外壳上层弹片角度, 优化插拔力	JACK

- Electrical Characteristics:
 - Voltage Current rating: 2.1AMP.Max.(Only suitable for the connector.)
 - Voltage rating: 30V rms max. (B)
 - Dielectric Withstanding Voltage: AC 500V R.M.S (F)
 - Insulation Resistance: 500MΩ MIN
 - Contact Resistance: 30mΩ MAX
- Environmental:
 - Operating Temperature: -40°C to 85°C (B)
- Mechanical Characteristics:
 - 3.1. Durability Cycles: 1500 insertion/extraction Cycles, Conductivity OK
 - 3.2. Insertion Force: 35N MAX(initial value) (F)
(ADAPTIVE ATOM USB PLUG)
 - 3.3. Extraction Force: 10N Min (F)
(Under our examination environment, After Durability Cycles: 1500 insertion/extraction Cycles, Over 10N/ extraction)
- Material
 - Housing: PBT White UL94v-0
 - Terminal: C5210R-H, T=0.25mm, plating:
Underplate: 50-120u" nickel. Contact area: 1u" min gold (B)
Solder tails: 120u" min bright tin over nickel (B)
 - (E) Shell: C2680R-EH, T=0.30mm Contact area, Plating Ni: 50u"-120u" (B)
Cover: SPCC, T=0.30mm, Contact area, Plating Ni: 50u"-120u" (B)
 - (F) Clip: C2680R-EH, T=0.3mm Contact area, Plating Ni: 50u"-120u" (B)



GENERAL TOLERANCE				UNITS	mm	NAME:		ATOM [®] 深圳市爱特姆科技有限公司 SHENZHEN ATOM TECHNOLOGY CO., LTD.		
SELECT	✓					MAT'L	NAME:	USB		TITLE: USB A/F 4P DIP 90' 双层 无弹白胶 铜壳
TOL.	1	2	3	PART NO:	USB304FA-A2009307			DWG NO. ATOM-A02331		
X.XXX	±0.15	±0.05	±0.15	FINISH	APPD:	Peter		SCALE	SHEET	REV
X.XX	±0.25	±0.13	±0.25		CHKD:	Jason				
X.X	±0.30	±0.25	±0.50	Q'TY	DR:	jack				
X.	±0.38	±0.38	±1.00							
ANGLE	±4'									