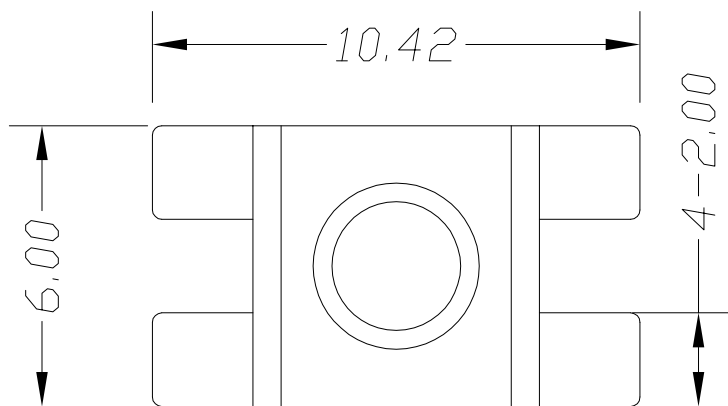


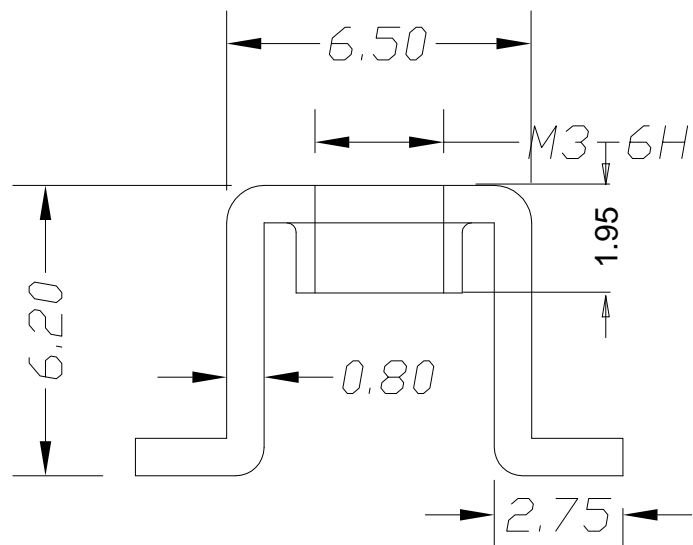
环保物料

TEL:0769-82001899



技术要求:

- 1.表面光滑,无划痕
- 2.材质:铜片:铜 0.80mm
- 3.螺钉拧紧力矩:0.60NM
- 4.额定电流:50A
- 5.表面处理:镀雾锡3-5um
- 6.牙孔规格:M3



				TOLERANCE UNLESS OTHERWISE		DRAWN	CK tan	XFCN兴飞连接器有限公司 CONNECTORS XFCN CONNECTORS CO., LTD.		SHEET	1/1	
				X.	±0.30	X°	±5°			CHKD	DATE	2010.4.12
				.X	±0.20	.X°	±2°	APPD	PRODUCT NAME	PCB Soldering Terminal		
				.XX	±0.08	.XX°	±1°	VIEW	PART. NO.	TS34031	UNITS	mm
				.XXX	±0.03	.XXX°	±0.5°				SCALE	1:1
A0	MODIFICATION		DRAW	DATE								