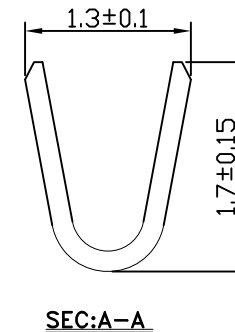
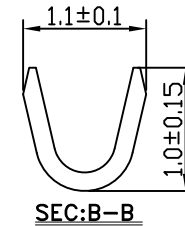
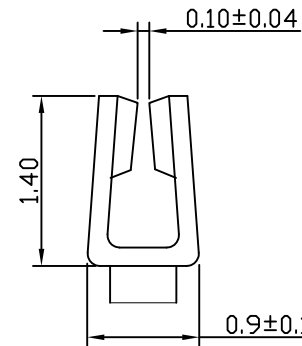
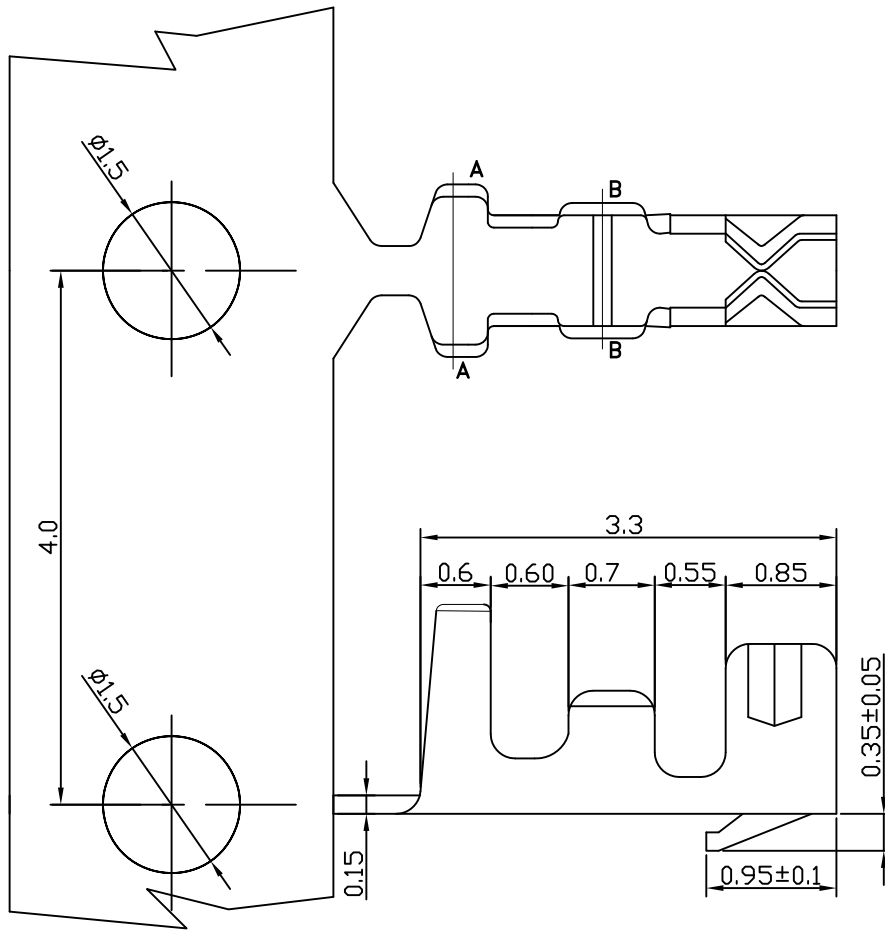


环保物料

TEL:0769-82001899

Specifications:

Electrical
 Rated Voltage: 100V AC,DC
 Rated Current: 1A
 Withstand Voltage: 250V AC/minute
 Contact Resistance: 20mΩ (MAX.)
 Insulation Resistance: 100MΩ (MIN.)
 Temperature Range: -25°C~+85°C



Material	Finish	Wire Range	Insulation O.D	Qty/reel
Phosphor bronze	Tin-plated	AWG#28-#32	1.2~1.05mm	15,000pcs

				TOLERANCE UNLESS OTHERWISE		DRAWN	CK tan	XFCN 兴飞连接器有限公司		SHEET	1/1		
				X.	± 0.30	X°	$\pm 5^\circ$	CHKD	CONNECTORS XFCN CONNECTORS CO., LTD.		DATE	2010. 4. 12	
				.X	± 0.20	.X°	$\pm 2^\circ$	APPD	PRODUCT NAME	1.25mm Crimp Style Connectors		UNITS	mm
				.XX	± 0.08	.XX°	$\pm 1^\circ$		PART. NO.	T1250PS-2		SCALE	1:1
A0	MODIFICATION	DRAW	DATE	.XXX	± 0.03	.XXX°	$\pm 0.5^\circ$	VIEW			DWG NO.	009	