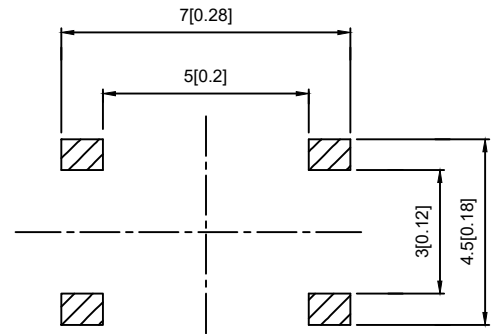
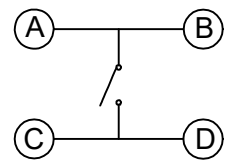
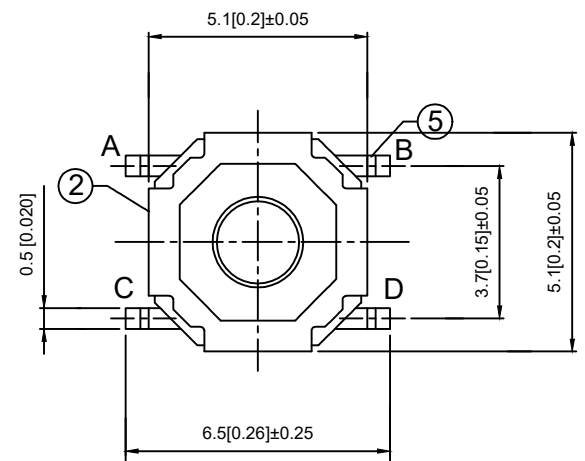


PCB LATOUT  
TOP VIEW



| Code-x | H   |
|--------|-----|
| A      | 1.5 |
| B      | 1.6 |
| C      | 1.7 |
| D      | 2.0 |
| E      | 2.5 |
| F      | 3.0 |
| G      | 3.5 |
| H      | 4.0 |
| I      | 4.5 |
| J      | 5.0 |



|                 |                         |
|-----------------|-------------------------|
| PAPT NO         | TS-1187A-X-X-X          |
| Operating Force | A:100gf B:160gf C:260gf |
| Height          | Code-x                  |
| Fixed column    | A:PA46 B:Brass          |

**SPECIFICATION**  
 Contact Rating: 50mA, 12V DC  
 Contact Resistance: 100mΩ max  
 Insulation Resistance: 100mΩ min. 500V DC  
 Dielectric Strength: 250V AC/1minute  
 Travel: 0.25mm  
 Operating Temp: -30°C ~ +85°C  
 Storage Temp: -30°C ~ +80°C

| ITEM | PAPT NAMF | TER,NO | QTY | MATERIAL      | FINISHING         | REMARK |
|------|-----------|--------|-----|---------------|-------------------|--------|
| ⑤    | Terminal  | —      | 4   | Brass (0.30t) | Plating silvering | —      |
| ④    | Contact   | —      | 1   | F.ag/Sus      | Natural           | —      |
| ③    | Base      | —      | 1   | Lcp           | —                 | —      |
| ②    | Cover     | —      | 1   | Sus           | Plating Nickel    | —      |
| ①    | Keystake  | —      | 1   | Pa46/Brass    | —                 | —      |

| MARK      | DESCRIPTION | DATE | REVISED | APPROVED | UNSPECIFIED TOLERANCES |
|-----------|-------------|------|---------|----------|------------------------|
| Δx        |             |      |         |          | units: mm              |
| Δx        |             |      |         |          | tolerance: X.X ±0.2mm  |
| Δx        |             |      |         |          | X.XX ±0.1mm            |
| Δx        |             |      |         |          | X.XXX ±0.05mm          |
| REVISIONS |             |      |         |          | UNSPECIFIED TOLERANCES |

|  |      |             |                                   |
|--|------|-------------|-----------------------------------|
| DSND   | DATE | SCALE: N/A  | MODEL TYPE:<br><b>TACT SWITCH</b> |
| DWN  | DATE | VIEW:       | PART NO.:                         |
| CHKD   | DATE | UNIT: mm/in | DWG NO.: <b>TS-1187A-X-X-X</b>    |
| APPD   | DATE | SIZE: A4    | WEIGHT: 1.0g                      |
| <b>XKB INDUSTRIAL PRECISION CO., LIMITED</b> |      |             | SHEET: 1/1                        |
|  |      |             | REVISION: A0                      |