



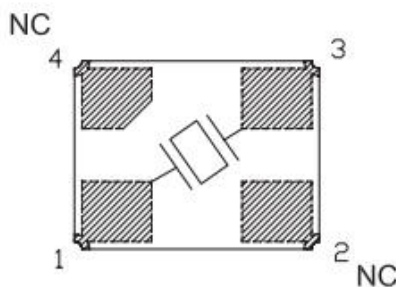
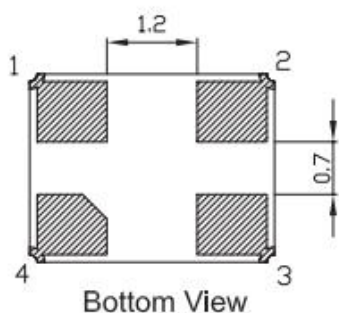
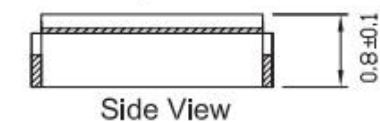
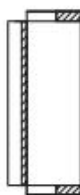
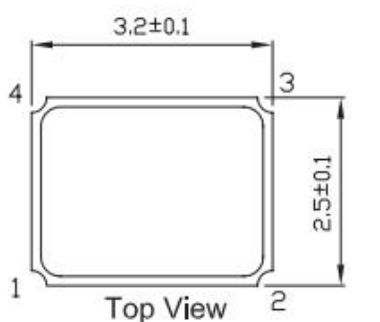
### Features

- 4 pads SMD glass sealed crystal ;
- Applications in wireless communication ,DSC and USB interface card;
- Excellent heat resistance and environmental characteristics;
- Contains Pb in sealing glass exempted by RoHS directive.

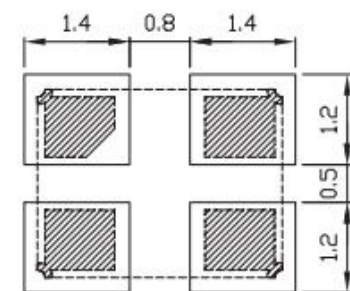
### Crystals specifications

ITEMS (项目)	PARAMETER (规格说明)			
Frequency Range	10~12MHz	12~20MHz	20~28MHz	28~54MHz
Equivalent Series Resistance	120ΩMax.	80ΩMax.	60ΩMax.	50ΩMax.
Drive Level	1 ~ 50 μW (10 μW typical)			
Frequency Tolerance (at 25 °C)	± 30 ppm, or specify			
Frequency Stability Over Operating Temperature Range	± 30 ppm, or specify			
Operating Temperature Range	-10 ~ +70°C, or specify			
Shunt Capacitance (C0)	3 pF Max.			
Load Capacitance	8 pF, 10 pF, or specify			
Aging (at 25 °C)	± 3 ppm / year Max.			
Storage Temperature Range	- 40 ~ + 85 °C			
Packing Unit(包装单位)	3,000pcs/Reel			

### Dimensions



Top View Suggested Connection



Top View Suggested Layout

Units: mm