

TS5A3359 1-Ω SP3T Bidirectional Analog Switch 5-V/3.3-V Single-Channel 3:1 Multiplexer and Demultiplexer

1 Features

- Isolation in Power-Down Mode, $V_{CC} = 0$
- Specified Break-Before-Make Switching
- Low ON-State Resistance (1 Ω)
- Control Inputs Are 5.5-V Tolerant
- Low Charge Injection (5 pC $V_{CC} = 1.8$ V)
- Excellent ON-State Resistance Matching
- Low Total Harmonic Distortion (THD)
- 1.65-V to 5.5-V Single-Supply Operation
- Latch-Up Performance Exceeds 100 mA Per JESD 78, Class II
- ESD Performance Tested Per JESD 22
 - 2000-V Human-Body Model (A114-B, Class II)
 - 1000-V Charged-Device Model (C101)

2 Applications

- Cell Phones
- PDAs
- Portable Instrumentation
- Audio and Video Signal Routing
- Low-Voltage Data Acquisition Systems
- Communication Circuits
- Modems
- Hard Drives
- Computer Peripherals
- Wireless Terminals and Peripherals

3 Description

The TS5A3359 device is a bidirectional, single channel, single-pole triple-throw (SP3T) analog switch that is designed to operate from 1.65 V to 5.5 V. This device provides a signal switching solution while maintaining excellent signal integrity, which makes the TS5A3359 suitable for a wide range of applications in various markets including personal electronics, test and measurement equipment, and portable instrumentation. The device maintains the signal integrity by its low ON-state resistance, excellent ON-state resistance matching, and total harmonic distortion (THD) performance. To prevent signal distortion during the transferring of a signal from one channel to another, the TS5A3359 device also has a specified break-before-make feature. The device consumes very low power and provides isolation when $V_{CC} = 0$.

Device Information⁽¹⁾

PART NUMBER	PACKAGE	BODY SIZE (NOM)
TS5A33591	US8 (8)	2.30 mm × 2.00 mm
	DSBGA (8)	0.00 mm × 0.00 mm

(1) For all available packages, see the orderable addendum at the end of the data sheet.

Simplified Schematic

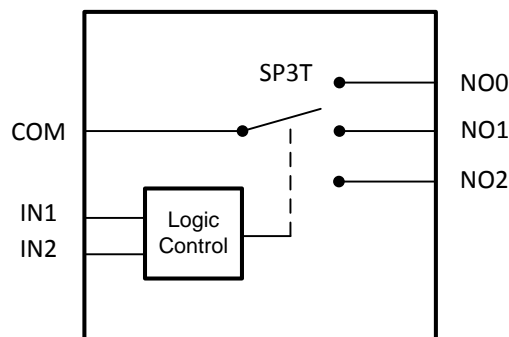


Table of Contents

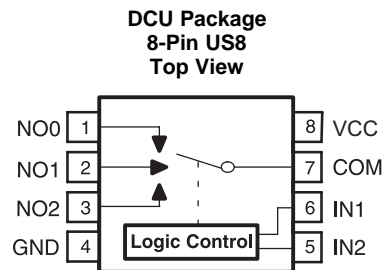
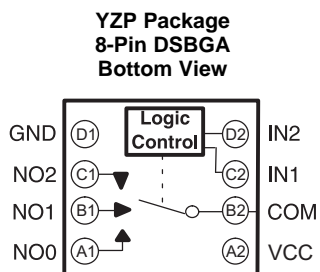
1 Features	1	8.1 Overview	22
2 Applications	1	8.2 Functional Block Diagram	22
3 Description	1	8.3 Feature Description	22
4 Revision History	2	8.4 Device Functional Modes	22
5 Pin Configuration and Functions	3	9 Application and Implementation	23
6 Specifications	4	9.1 Application Information	23
6.1 Absolute Maximum Ratings	4	9.2 Typical Application	23
6.2 ESD Ratings	4	10 Power Supply Recommendations	25
6.3 Recommended Operating Conditions	4	11 Layout	25
6.4 Thermal Information	4	11.1 Layout Guidelines	25
6.5 Electrical Characteristics for 5-V Supply	5	11.2 Layout Example	25
6.6 Electrical Characteristics for 3.3-V Supply	7	12 Device and Documentation Support	26
6.7 Electrical Characteristics for 2.5-V Supply	9	12.1 Community Resource	26
6.8 Electrical Characteristics for 1.8-V Supply	11	12.2 Trademarks	26
6.9 Typical Characteristics	13	12.3 Electrostatic Discharge Caution	26
7 Parameter Measurement Information	16	12.4 Glossary	26
8 Detailed Description	22	13 Mechanical, Packaging, and Orderable Information	26

4 Revision History

Changes from Revision D (May 2015) to Revision E	Page
• Added T_J Junction Temperature to the <i>Absolute Maximum Ratings</i>	4
• Changed Input leakage current UNIT value From: μ A To: nA in <i>Electrical Characteristics for 5-V Supply</i>	5

Changes from Revision C (June 2008) to Revision D	Page
• Added <i>ESD Ratings</i> table, <i>Feature Description</i> section, <i>Device Functional Modes</i> , <i>Application and Implementation</i> section, <i>Power Supply Recommendations</i> section, <i>Layout</i> section, <i>Device and Documentation Support</i> section, and <i>Mechanical, Packaging, and Orderable Information</i> section	1
• Changed YZP pinout numbering.	3

5 Pin Configuration and Functions



Pin Functions

NAME	PIN		I/O	DESCRIPTION
	DCU	YZP		
NO0	1	A1	I/O	Normally open
NO1	2	B1	I/O	Normally open
NO2	3	C1	I/O	Normally open
GND	4	D1	—	Ground
IN2	5	D2	I	Digital control to connect COM to NO
IN1	6	C2	I	Digital control to connect COM to NO
COM	7	B2	I/O	Common
VCC	8	A2	—	Power supply

6 Specifications

6.1 Absolute Maximum Ratings

over operating free-air temperature range (unless otherwise noted)⁽¹⁾⁽²⁾

		MIN	MAX	UNIT
V _{CC}	Supply voltage ⁽³⁾	-0.5	6.5	V
V _{NO} V _{COM}	Analog voltage ^{(3) (4) (5)}	-0.5	V _{CC} + 0.5	V
I _K	Analog port diode current	V _{NO} , V _{COM} < 0		mA
I _{NO} I _{COM}	On-state switch current	V _{NO} , V _{COM} = 0 to V _{CC}		mA
V _I	Digital input voltage ^{(3) (4)}	-0.5	6.5	V
I _{IK}	Digital input clamp current	V _I < 0		mA
I _{CC}	Continuous current through V _{CC}		100	mA
I _{GND}	Continuous current through GND	-100	100	mA
T _{stg}	Storage temperature	-65	150	°C
T _J	Junction temperature		150	°C

- (1) Stresses beyond those listed under *Absolute Maximum Ratings* may cause permanent damage to the device. These are stress ratings only, which do not imply functional operation of the device at these or any other conditions beyond those indicated under *Recommended Operating Conditions*. Exposure to absolute-maximum-rated conditions for extended periods may affect device reliability.
- (2) The algebraic convention, whereby the most negative value is a minimum and the most positive value is a maximum
- (3) All voltages are with respect to ground, unless otherwise specified.
- (4) The input and output voltage ratings may be exceeded if the input and output clamp-current ratings are observed.
- (5) This value is limited to 5.5-V maximum.

6.2 ESD Ratings

		VALUE	UNIT
V _(ESD)	Electrostatic discharge	Human body model (HBM), per ANSI/ESDA/JEDEC JS-001, all pins ⁽¹⁾	V
		Charged device model (CDM), per JEDEC specification JESD22-C101, all pins ⁽²⁾	
		±2000	
		±1000	

- (1) JEDEC document JEP155 states that 500-V HBM allows safe manufacturing with a standard ESD control process.
- (2) JEDEC document JEP157 states that 250-V CDM allows safe manufacturing with a standard ESD control process.

6.3 Recommended Operating Conditions

over operating free-air temperature range (unless otherwise noted)

		MIN	MAX	UNIT
V _{CC}	Analog voltage	1.65	5.5	V
V _{NO} V _{COM}		0	V _{CC}	V
V _I	Digital input voltage	0	V _{CC}	V

6.4 Thermal Information

THERMAL METRIC ⁽¹⁾	TS5A3359		UNIT	
	DCU (US8)	YZP (DSBGA)		
	8 PINS	8 PINS		
R _{θJA}	Junction-to-ambient thermal resistance	204.2	105.8	°C/W
R _{θJC(top)}	Junction-to-case (top) thermal resistance	76.2	1.6	°C/W
R _{θJB}	Junction-to-board thermal resistance	82.9	10.8	°C/W
ψ _{JT}	Junction-to-top characterization parameter	7.6	3.1	°C/W
ψ _{JB}	Junction-to-board characterization parameter	82.5	10.8	°C/W

- (1) For more information about traditional and new thermal metrics, see the *Semiconductor and IC Package Thermal Metrics* application report, [SPRA953](#).

6.5 Electrical Characteristics for 5-V Supply

 $V_{CC} = 4.5\text{ V to }5.5\text{ V}$, $T_A = -40^\circ\text{C to }85^\circ\text{C}$ (unless otherwise noted)⁽¹⁾

PARAMETER		TEST CONDITIONS		T_A	V_{CC}	MIN	TYP	MAX	UNIT	
ANALOG SWITCH										
Analogue signal range	V_{COM}, V_{NO}					0		V_{CC}	V	
Peak ON resistance	r_{peak}	$0 \leq (V_{NO}) \leq V_{CC}$, $I_{COM} = -100\text{ mA}$,	Switch ON, See Figure 18	25°C	4.5 V		0.8	1.1	Ω	
				Full			1.5			
ON-state resistance	r_{on}	$V_{NO} = 2.5\text{ V}$, $I_{COM} = -100\text{ mA}$,	Switch ON, See Figure 18	25°C	4.5 V		0.7	0.9	Ω	
				Full			1.1			
ON-state resistance match between channels	Δr_{on}	$V_{NO} = 2.5\text{ V}$, $I_{COM} = -100\text{ mA}$,	Switch ON, See Figure 18	25°C	4.5 V		0.1	0.1	Ω	
				Full			0.1			
ON-state resistance flatness	$r_{on(Flat)}$	$0 \leq (V_{NO}) \leq V_{CC}$, $I_{COM} = -100\text{ mA}$,	Switch ON, See Figure 18	25°C	4.5 V		0.15		Ω	
				25°C			0.1	0.25		
				Full			0.25			
NO OFF leakage current	$I_{NO(OFF)}$	$V_{NO} = 1\text{ V or }4.5\text{ V}$, $V_{COM} = 1\text{ V to }4.5\text{ V}$,	Switch OFF, See Figure 19	25°C	5.5 V		-20	5	20	nA
				Full			-150	150		
	$I_{NO(PWROFF)}$	$V_{NO} = 0\text{ to }5.5\text{ V}$, $V_{COM} = 5.5\text{ V to }0$,	Switch OFF, See Figure 19	25°C	0 V		-1	0.8	1	μA
				Full			-25	25		
NO ON leakage current	$I_{NO(ON)}$	$V_{NO} = 1\text{ V or }4.5\text{ V}$, $V_{COM} = \text{Open}$,	Switch ON, See Figure 19	25°C	5.5 V		-30	5	30	nA
				Full			-220	220		
COM OFF leakage current	$I_{COM(OFF)}$	$V_{NO} = 4.5\text{ V or }1\text{ V}$, $V_{COM} = 1\text{ V or }4.5\text{ V}$,	Switch OFF, See Figure 19	25°C	5.5 V		-25	8	25	nA
				Full			-250	250		
	$I_{COM(PWROFF)}$	$V_{COM} = 0\text{ to }5.5\text{ V}$, $V_{NO} = 5.5\text{ V to }0$,	Switch OFF, See Figure 19	25°C	0 V		-8	0.1	8	μA
				Full			-50	50		
COM ON leakage current	$I_{COM(ON)}$	$V_{NO} = \text{Open}$, $V_{COM} = 1\text{ V or }4.5\text{ V}$,	Switch ON, See Figure 19	25°C	5.5 V		-30	5	30	nA
				Full			-220	220		
DIGITAL CONTROL INPUTS (IN1, IN2)⁽²⁾										
Input logic high	V_{IH}			Full		2.4		5.5	V	
Input logic low	V_{IL}			Full		0		0.8	V	
Input leakage current	I_{IH}, I_{IL}	$V_I = 5.5\text{ V or }0$		25°C	5.5 V		-2	2	nA	
				Full			-20	20		

(1) The algebraic convention, whereby the most negative value is a minimum and the most positive value is a maximum

(2) All unused digital inputs of the device must be held at V_{CC} or GND to ensure proper device operation. Refer to the TI application report, [Implications of Slow or Floating CMOS Inputs \(SCBA004\)](#).

Electrical Characteristics for 5-V Supply (continued)
 $V_{CC} = 4.5\text{ V to }5.5\text{ V}$, $T_A = -40^\circ\text{C to }85^\circ\text{C}$ (unless otherwise noted)⁽¹⁾

PARAMETER		TEST CONDITIONS		T_A	V_{CC}	MIN	TYP	MAX	UNIT
DYNAMIC									
Turnon time	t_{ON}	$V_{COM} = V_{CC}$, $R_L = 50\ \Omega$,	$C_L = 35\text{ pF}$, See Figure 22	25°C	5 V	1	2.5	21	ns
				Full	4.5 V to 5.5 V	1		23.5	
Turnoff time	t_{OFF}	$V_{COM} = V_{CC}$, $R_L = 50\ \Omega$,	$C_L = 35\text{ pF}$, See Figure 22	25°C	5 V	1	6	10.5	ns
				Full	4.5 V to 5.5 V	1		12	
Break-before-make time	t_{BBM}	$V_{NO} = V_{CC}$, $R_L = 50\ \Omega$,	$C_L = 35\text{ pF}$, See Figure 23	25°C	5 V	0.5	8.5	18	ns
				Full	4.5 V to 5.5 V	0.5		23	
Charge injection	Q_C	$V_{GEN} = 0$, $R_{GEN} = 0$,	$C_L = 1\text{ nF}$, See Figure 27	25°C	5 V		20		pC
NO OFF capacitance	$C_{NO(OFF)}$	$V_{NO} = V_{CC}$ or GND, Switch OFF,	See Figure 21	25°C	5 V		18		pF
COM OFF capacitance	$C_{COM(OFF)}$	$V_{COM} = V_{CC}$ or GND, Switch OFF,	See Figure 21	25°C	2.5 V		54		pF
NO ON capacitance	$C_{NO(ON)}$	$V_{NO} = V_{CC}$ or GND, Switch ON,	See Figure 21	25°C	5 V		78		pF
COM ON capacitance	$C_{COM(ON)}$	$V_{COM} = V_{CC}$ or GND, Switch ON,	See Figure 21	25°C	5 V		78		pF
Digital input capacitance	C_I	$V_I = V_{CC}$ or GND,	See Figure 21	25°C	5 V		2.5		pF
Bandwidth	BW	$R_L = 50\ \Omega$, Switch ON,	See Figure 24	25°C	5 V		75		MHz
OFF isolation	O_{ISO}	$R_L = 50\ \Omega$, $f = 1\text{ MHz}$,	Switch OFF, See Figure 25	25°C	5 V		-64		dB
Crosstalk	X_{TALK}	$R_L = 50\ \Omega$, $f = 1\text{ MHz}$,	Switch ON, See Figure 26	25°C	5 V		-64		dB
Total harmonic distortion	THD	$R_L = 600\ \Omega$, $C_L = 50\text{ pF}$,	$f = 20\text{ Hz to }20\text{ kHz}$, See Figure 28	25°C	5 V		0.005%		
SUPPLY									
Positive supply current	I_{CC}	$V_I = V_{CC}$ or GND,	Switch ON or OFF	25°C	5.5 V		16	50	nA
				Full				1200	

6.6 Electrical Characteristics for 3.3-V Supply

 $V_{CC} = 3\text{ V to }3.6\text{ V}$, $T_A = -40^\circ\text{C to }85^\circ\text{C}$ (unless otherwise noted)⁽¹⁾

PARAMETER		TEST CONDITIONS		T_A	V_{CC}	MIN	TYP	MAX	UNIT		
ANALOG SWITCH											
Analogue signal range	V_{COM}, V_{NO}					0		V_{CC}	V		
Peak ON resistance	r_{peak}	$0 \leq (V_{NO}) \leq V_{CC}$, $I_{COM} = -100\text{ mA}$,	Switch ON, See Figure 18	25°C	3 V		1.3	1.6	Ω		
				Full						2	
ON-state resistance	r_{on}	$V_{NO} = 2\text{ V}$, $I_{COM} = -100\text{ mA}$,	Switch ON, See Figure 18	25°C	3 V		1.2	1.6	Ω		
				Full						1.8	
ON-state resistance match between channels	Δr_{on}	$V_{NO} = 2\text{ V}, 0.8\text{ V}$, $I_{COM} = -100\text{ mA}$,	Switch ON, See Figure 18	25°C	3 V		0.1	0.15	Ω		
				Full						0.15	
ON-state resistance flatness	$r_{on(flat)}$	$0 \leq (V_{NO}) \leq V_{CC}$, $I_{COM} = -100\text{ mA}$,	Switch ON, See Figure 18	25°C	3 V		0.2		Ω		
				25°C						0.2	0.35
				Full							
NO OFF leakage current	$I_{NO(OFF)}$	$V_{NO} = 1\text{ V or }3\text{ V}$, $V_{COM} = 1\text{ V to }3\text{ V}$,	Switch OFF, See Figure 19	25°C	3.6 V		-15	3	15		
				Full						-30	30
NO OFF leakage current	$I_{NO(PWROFF)}$	$V_{NO} = 0\text{ to }3.6\text{ V}$, $V_{COM} = 3.6\text{ V to }0$,	Switch OFF, See Figure 19	25°C	0 V		-1	0.2	1		
				Full						-10	10
NO ON leakage current	$I_{NO(ON)}$	$V_{NO} = 1\text{ V or }3\text{ V}$, $V_{COM} = \text{Open}$,	Switch ON, See Figure 19	25°C	3.6 V		-15	3	15		
				Full						-40	40
COM OFF leakage current	$I_{COM(OFF)}$	$V_{NO} = 0\text{ V to }3.6\text{ V}$, $V_{COM} = 1\text{ V or }3.6\text{ V to }0$, $V_{COM} = 3\text{ V}$,	Switch OFF, See Figure 19	25°C	3.6 V		-15	3	15		
				Full						-75	75
				25°C						0 V	
Full	-20	20									
COM ON leakage current	$I_{COM(ON)}$	$V_{NO} = \text{Open}$, $V_{COM} = 1\text{ V or }3\text{ V}$,	Switch ON, See Figure 19	25°C	3.6 V		-15	4	15		
				Full						-40	40
DIGITAL CONTROL INPUTS (IN1, IN2)⁽²⁾											
Input logic high	V_{IH}			Full			2	5.5	V		
Input logic low	V_{IL}			Full			0	0.8	V		
Input leakage current	I_{IH}, I_{IL}	$V_I = 5.5\text{ V or }0$		25°C	3.6 V		-2	2	nA		
				Full						-20	20

(1) The algebraic convention, whereby the most negative value is a minimum and the most positive value is a maximum

(2) All unused digital inputs of the device must be held at V_{CC} or GND to ensure proper device operation. Refer to the TI application report, [Implications of Slow or Floating CMOS Inputs \(SCBA004\)](#).

Electrical Characteristics for 3.3-V Supply (continued)
 $V_{CC} = 3\text{ V to }3.6\text{ V}$, $T_A = -40^\circ\text{C to }85^\circ\text{C}$ (unless otherwise noted)⁽¹⁾

PARAMETER		TEST CONDITIONS		T_A	V_{CC}	MIN	TYP	MAX	UNIT
DYNAMIC									
Turnon time	t_{ON}	$V_{COM} = V_{CC}$, $R_L = 50\ \Omega$,	$C_L = 35\ \text{pF}$, See Figure 22	25°C	3.3 V	1	16	30.5	ns
				Full	3 V to 3.6 V	1		34	
Turnoff time	t_{OFF}	$V_{COM} = V_{CC}$, $R_L = 50\ \Omega$,	$C_L = 35\ \text{pF}$, See Figure 22	25°C	3.3 V	1	6	11.5	ns
				Full	3 V to 3.6 V	1		12.5	
Break-before-make time	t_{BBM}	$V_{NO} = V_{CC}$, $R_L = 50\ \Omega$,	$C_L = 35\ \text{pF}$, See Figure 23	25°C	3.3 V	0.5	13	26	ns
				Full	3 V to 3.6 V	0.5		30	
Charge injection	Q_C	$V_{GEN} = 0$, $R_{GEN} = 0$,	$C_L = 1\ \text{nF}$, See Figure 27	25°C	3.3 V		12		pC
NO OFF capacitance	$C_{NO(OFF)}$	$V_{NO} = V_{CC}$ or GND, Switch OFF,	See Figure 21	25°C	3.3 V		18		pF
COM OFF capacitance	$C_{COM(OFF)}$	$V_{COM} = V_{CC}$ or GND, Switch OFF,	See Figure 21	25°C	3.3 V		55		pF
NO ON capacitance	$C_{NO(ON)}$	$V_{NO} = V_{CC}$ or GND, Switch ON,	See Figure 21	25°C	3.3 V		78		pF
COM ON capacitance	$C_{COM(ON)}$	$V_{COM} = V_{CC}$ or GND, Switch ON,	See Figure 21	25°C	3.3 V		78		pF
Digital input capacitance	C_I	$V_I = V_{CC}$ or GND,	See Figure 21	25°C	3.3 V		2.5		pF
Bandwidth	BW	$R_L = 50\ \Omega$, Switch ON,	See Figure 24	25°C	3.3 V		73		MHz
OFF isolation	O_{ISO}	$R_L = 50\ \Omega$, $f = 1\ \text{MHz}$,	Switch OFF, See Figure 25	25°C	3.3 V		-64		dB
Crosstalk	X_{TALK}	$R_L = 50\ \Omega$, $f = 1\ \text{MHz}$,	Switch ON, See Figure 26	25°C	3.3 V		-64		dB
Total harmonic distortion	THD	$R_L = 600\ \Omega$, $C_L = 50\ \text{pF}$,	$f = 20\ \text{Hz to }20\ \text{kHz}$, See Figure 28	25°C	3.3 V		0.01%		
SUPPLY									
Positive supply current	I_{CC}	$V_I = V_{CC}$ or GND,	Switch ON or OFF	25°C	3.6 V		2	20	nA
				Full				350	

6.7 Electrical Characteristics for 2.5-V Supply

 $V_{CC} = 2.3 \text{ V to } 2.7 \text{ V}$, $T_A = -40^\circ\text{C to } 85^\circ\text{C}$ (unless otherwise noted)⁽¹⁾

PARAMETER		TEST CONDITIONS		T_A	V_{CC}	MIN	TYP	MAX	UNIT	
ANALOG SWITCH										
Analogue signal range	V_{COM}, V_{NO}					0		V_{CC}	V	
Peak ON resistance	r_{peak}	$0 \leq (V_{NO}) \leq V_{CC}$, $I_{COM} = -8 \text{ mA}$,	Switch ON, See Figure 18	25°C	2.3 V		1.8	2.5	Ω	
				Full			2.7			
ON-state resistance	r_{on}	$V_{NO} = 1.8 \text{ V}$, $I_{COM} = -8 \text{ mA}$,	Switch ON, See Figure 18	25°C	2.3 V		1.5	2	Ω	
				Full			2.4			
ON-state resistance match between channels	Δr_{on}	$V_{NO} = 1.8 \text{ V}$, $I_{COM} = -8 \text{ mA}$,	Switch ON, See Figure 18	25°C	2.3 V			0.2	Ω	
				Full			0.2			
ON-state resistance flatness	$r_{on(flat)}$	$0 \leq (V_{NO}) \leq V_{CC}$, $I_{COM} = -8 \text{ mA}$,	Switch ON, See Figure 18	25°C	2.3 V		0.6		Ω	
				25°C			0.6			
				Full			1			
NO OFF leakage current	$I_{NO(OFF)}$	$V_{NO} = 0.5 \text{ V or } 2.3 \text{ V}$, $V_{COM} = 0.5 \text{ V to } 2.3 \text{ V}$,	Switch OFF, See Figure 19	25°C	2.7 V		-15	3	15	nA
				Full			-30	30		
NO OFF leakage current	$I_{NO(PWROFF)}$	$V_{NO} = 0 \text{ to } 2.7 \text{ V}$, $V_{COM} = 2.7 \text{ V to } 0$,	Switch OFF, See Figure 19	25°C	0 V		-1	0.1	1	μA
				Full			-10	10		
NO ON leakage current	$I_{NO(ON)}$	$V_{NO} = 0.5 \text{ V or } 2.3 \text{ V}$, $V_{COM} = \text{Open}$,	Switch ON, See Figure 19	25°C	2.7 V		-15	3	15	nA
				Full			-35	35		
COM OFF leakage current	$I_{COM(OFF)}$	$V_{NO} = 0.3 \text{ V to } 2.3 \text{ V}$, $V_{COM} = 0.5 \text{ V or } 2.3 \text{ V}$,	Switch OFF, See Figure 19	25°C	2.7 V		-15	3	15	nA
				Full			-60	60		
COM OFF leakage current	$I_{COM(PWROFF)}$	$V_{COM} = 0 \text{ to } 2.7 \text{ V}$, $V_{NO} = 2.7 \text{ V to } 0$,	Switch OFF, See Figure 19	25°C	0 V		-1	0.1	1	μA
				Full			-10	10		
COM ON leakage current	$I_{COM(ON)}$	$V_{NO} = \text{Open}$, $V_{COM} = 0.5 \text{ V or } 2.2 \text{ V}$,	Switch ON, See Figure 19	25°C	2.7 V		-15	3.5	15	nA
				Full			-40	40		
DIGITAL CONTROL INPUTS (IN1, IN2)⁽²⁾										
Input logic high	V_{IH}			Full			1.8	5.5	V	
Input logic low	V_{IL}			Full			0	0.6	V	
Input leakage current	I_{IH}, I_{IL}	$V_I = 5.5 \text{ V or } 0$		25°C	2.7 V		1	1	nA	
				Full			10	10		

(1) The algebraic convention, whereby the most negative value is a minimum and the most positive value is a maximum

(2) All unused digital inputs of the device must be held at V_{CC} or GND to ensure proper device operation. Refer to the TI application report, *Implications of Slow or Floating CMOS Inputs (SCBA004)*.

Electrical Characteristics for 2.5-V Supply (continued)
 $V_{CC} = 2.3 \text{ V to } 2.7 \text{ V}$, $T_A = -40^\circ\text{C to } 85^\circ\text{C}$ (unless otherwise noted)⁽¹⁾

PARAMETER		TEST CONDITIONS		T_A	V_{CC}	MIN	TYP	MAX	UNIT
DYNAMIC									
Turnon time	t_{ON}	$V_{COM} = V_{CC}$, $R_L = 50 \Omega$,	$C_L = 35 \text{ pF}$, See Figure 22	25°C	2.5 V	2	4.5	43	ns
				Full	2.3 V to 2.7 V	2		47.5	
Turnoff time	t_{OFF}	$V_{COM} = V_{CC}$, $R_L = 50 \Omega$,	$C_L = 35 \text{ pF}$, See Figure 22	25°C	2.5 V	2	8.5	11	ns
				Full	2.3 V to 2.7 V	2		12.5	
Break-before-make time	t_{BBM}	$V_{NO} = V_{CC}$, $R_L = 50 \Omega$,	$C_L = 35 \text{ pF}$, See Figure 23	25°C	2.5 V	0.5	18.5	38.5	ns
				Full	2.3 V to 2.7 V	0.5		43	
Charge injection	Q_C	$V_{GEN} = 0$, $R_{GEN} = 0$,	$C_L = 1 \text{ nF}$, See Figure 27	25°C	2.5 V		8		pC
NO OFF capacitance	$C_{NO(OFF)}$	$V_{NO} = V_{CC}$ or GND, Switch OFF,	See Figure 21	25°C	2.5 V		18.5		pF
COM OFF capacitance	$C_{COM(OFF)}$	$V_{COM} = V_{CC}$ or GND, Switch OFF,	See Figure 21	25°C	2.5 V		55		pF
NO ON capacitance	$C_{NO(ON)}$	$V_{NO} = V_{CC}$ or GND, Switch ON,	See Figure 21	25°C	2.5 V		78		pF
COM ON capacitance	$C_{COM(ON)}$	$V_{COM} = V_{CC}$ or GND, Switch ON,	See Figure 21	25°C	2.5 V		78		pF
Digital input capacitance	C_I	$V_I = V_{CC}$ or GND,	See Figure 21	25°C	2.5 V		3		pF
Bandwidth	BW	$R_L = 50 \Omega$, Switch ON,	See Figure 24	25°C	2.5 V		73		MHz
OFF isolation	O_{ISO}	$R_L = 50 \Omega$, $f = 1 \text{ MHz}$,	Switch OFF, See Figure 25	25°C	2.5 V		-64		dB
Crosstalk	X_{TALK}	$R_L = 50 \Omega$, $f = 1 \text{ MHz}$,	Switch ON, See Figure 26	25°C	2.5 V		-64		dB
Total harmonic distortion	THD	$R_L = 600 \Omega$, $C_L = 50 \text{ pF}$,	$f = 20 \text{ Hz to } 20 \text{ kHz}$, See Figure 28	25°C	2.5 V		0.03%		
SUPPLY									
Positive supply current	I_{CC}	$V_I = V_{CC}$ or GND,	Switch ON or OFF	25°C	2.7 V		1	10	nA
				Full			250		

6.8 Electrical Characteristics for 1.8-V Supply

 $V_{CC} = 1.65\text{ V to }1.95\text{ V}$, $T_A = -40^\circ\text{C to }85^\circ\text{C}$ (unless otherwise noted)⁽¹⁾

PARAMETER		TEST CONDITIONS		T_A	V_{CC}	MIN	TYP	MAX	UNIT
ANALOG SWITCH									
Analogue signal range	V_{COM}, V_{NO}					0		V_{CC}	V
Peak ON resistance	r_{peak}	$0 \leq (V_{NO}) \leq V_{CC}$, $I_{COM} = -2\text{ mA}$,	Switch ON, See Figure 18	25°C	1.65 V	5			Ω
				Full		30			
ON-state resistance	r_{on}	$V_{NO} = 1.5\text{ V}$, $I_{COM} = -2\text{ mA}$,	Switch ON, See Figure 18	25°C	1.65 V	2	2.5	3.5	Ω
				Full		3.5			
ON-state resistance match between channels	Δr_{on}	$V_{NO} = 1.5\text{ V}$, $I_{COM} = -2\text{ mA}$,	Switch ON, See Figure 18	25°C	1.65 V	0.15	0.4	0.4	Ω
				Full		0.4			
ON-state resistance flatness	$r_{on(Flat)}$	$0 \leq (V_{NO}) \leq V_{CC}$, $I_{COM} = -2\text{ mA}$,	Switch ON, See Figure 18	25°C	1.65 V	5			Ω
				25°C		4.5			
				Full		5			
NO OFF leakage current	$I_{NO(OFF)}$	$V_{NO} = 0.3\text{ V or }1.65\text{ V}$, $V_{COM} = 0.3\text{ V to }1.65\text{ V}$,	Switch OFF, See Figure 19	25°C	1.95 V	-15	3	15	nA
				Full		-30 30			
	$I_{NO(PWROFF)}$	$V_{NO} = 0\text{ to }1.95\text{ V}$, $V_{COM} = 1.95\text{ V to }0$,	Switch OFF, See Figure 19	25°C	0 V	-1	0.1	1	μA
				Full		-15 15			
NO ON leakage current	$I_{NO(ON)}$	$V_{NO} = 0.3\text{ V or }1.65\text{ V}$, $V_{COM} = \text{Open}$,	Switch ON, See Figure 19	25°C	1.95 V	-15	3	15	nA
				Full		-30 30			
COM OFF leakage current	$I_{COM(OFF)}$	$V_{NO} = 0.3\text{ V to }1.65\text{ V}$, $V_{COM} = 0.3\text{ V or }1.65\text{ V}$,	Switch OFF, See Figure 19	25°C	1.95 V	-15	3	15	nA
				Full		-50 50			
	$I_{COM(PWROFF)}$	$V_{COM} = 0\text{ to }1.95\text{ V}$, $V_{NO} = 1.95\text{ V to }0$,	Switch OFF, See Figure 19	25°C	0 V	-1	0.1	1	μA
				Full		-10 10			
COM ON leakage current	$I_{COM(ON)}$	$V_{NO} = \text{Open}$, $V_{COM} = 0.3\text{ V or }1.65\text{ V}$,	Switch ON, See Figure 19	25°C	1.95 V	-15	3	15	nA
				Full		-30 30			
DIGITAL CONTROL INPUTS (IN1, IN2)⁽²⁾									
Input logic high	V_{IH}			Full		1.5		5.5	V
Input logic low	V_{IL}			Full		0		0.6	V
Input leakage current	I_{IH}, I_{IL}	$V_I = 5.5\text{ V or }0$		25°C	1.95 V	-2		2	nA
				Full		-20 20			

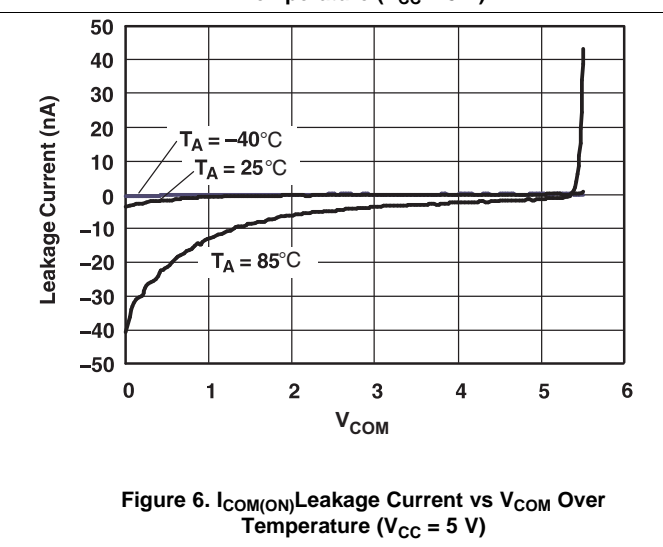
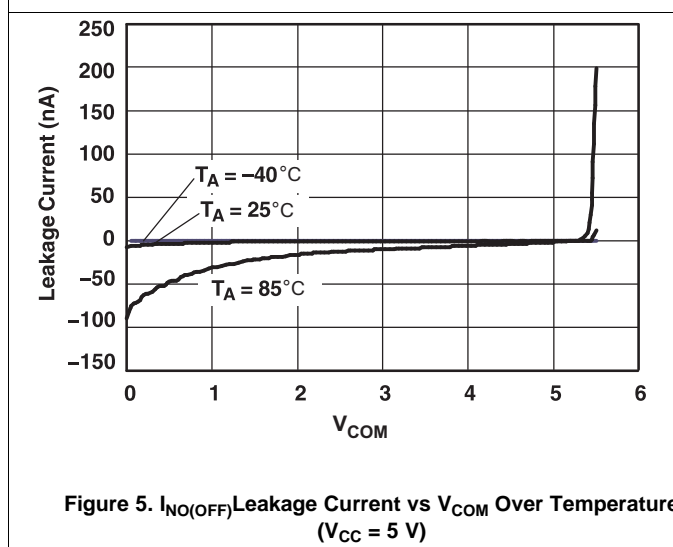
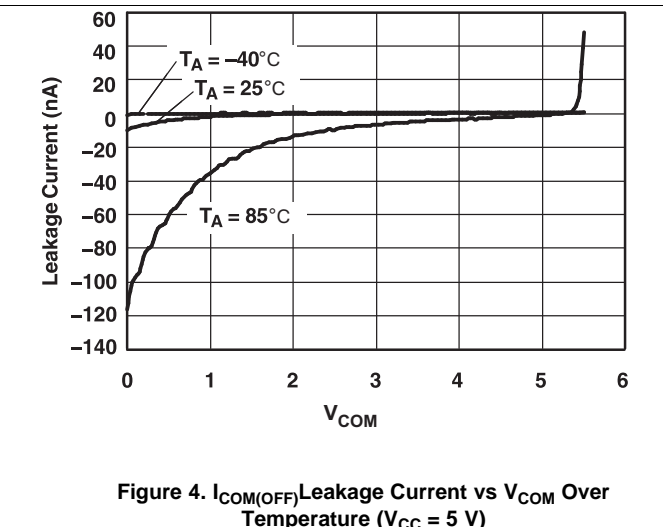
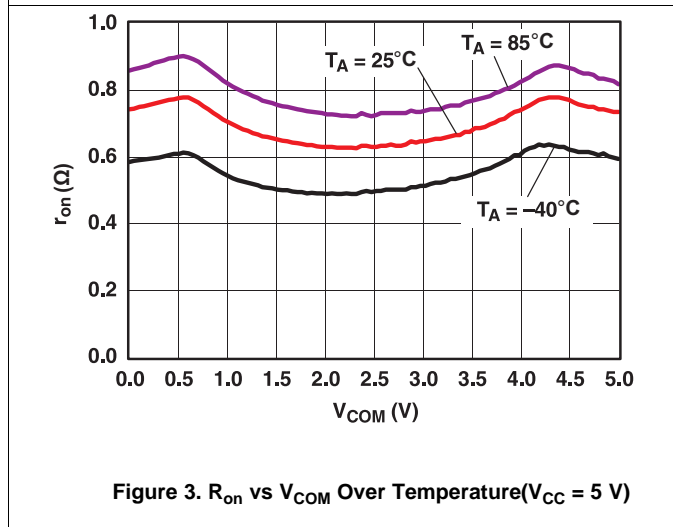
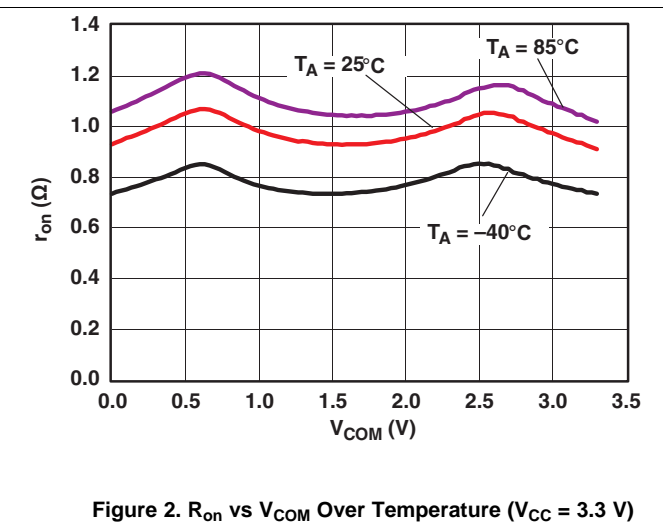
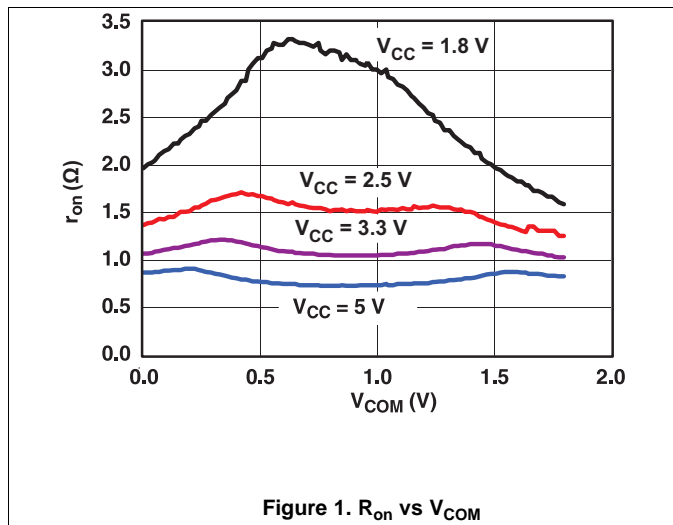
(1) The algebraic convention, whereby the most negative value is a minimum and the most positive value is a maximum

(2) All unused digital inputs of the device must be held at V_{CC} or GND to ensure proper device operation. Refer to the TI application report, *Implications of Slow or Floating CMOS Inputs*, [SCBA004](#).

Electrical Characteristics for 1.8-V Supply (continued)
 $V_{CC} = 1.65\text{ V to }1.95\text{ V}$, $T_A = -40^\circ\text{C to }85^\circ\text{C}$ (unless otherwise noted)⁽¹⁾

PARAMETER		TEST CONDITIONS		T_A	V_{CC}	MIN	TYP	MAX	UNIT
DYNAMIC									
Turnon time	t_{ON}	$V_{COM} = V_{CC}$, $R_L = 50\ \Omega$,	$C_L = 35\ \text{pF}$, See Figure 22	25°C	1.8 V	3	38.5	85	ns
				Full	1.65 V to 1.95 V	3		90	
Turnoff time	t_{OFF}	$V_{COM} = V_{CC}$, $R_L = 50\ \Omega$,	$C_L = 35\ \text{pF}$, See Figure 22	25°C	1.8 V	2	8.5	16	ns
				Full	1.65 V to 1.95 V	2		18	
Break-before-make time	t_{BBM}	$V_{NO} = V_{CC}$, $R_L = 50\ \Omega$,	$C_L = 35\ \text{pF}$, See Figure 23	25°C	1.8 V	1	33	75	ns
				Full	1.65 V to 1.95 V	1		80	
Charge injection	Q_C	$V_{GEN} = 0$, $R_{GEN} = 0$,	$C_L = 1\ \text{nF}$, See Figure 27	25°C	1.8 V		5		pC
NO OFF capacitance	$C_{NO(OFF)}$	$V_{NO} = V_{CC}$ or GND, Switch OFF,	See Figure 21	25°C	1.8 V		18.5		pF
COM OFF capacitance	$C_{COM(OFF)}$	$V_{COM} = V_{CC}$ or GND, Switch OFF,	See Figure 21	25°C	1.8 V		55		pF
NO ON capacitance	$C_{NO(ON)}$	$V_{NO} = V_{CC}$ or GND, Switch ON,	See Figure 21	25°C	1.8 V		78		pF
COM ON capacitance	$C_{COM(ON)}$	$V_{COM} = V_{CC}$ or GND, Switch ON,	See Figure 21	25°C	1.8 V		78		pF
Digital input capacitance	C_I	$V_I = V_{CC}$ or GND,	See Figure 21	25°C	1.8 V		3		pF
Bandwidth	BW	$R_L = 50\ \Omega$, Switch ON,	See Figure 24	25°C	1.8 V		73		MHz
OFF isolation	O_{ISO}	$R_L = 50\ \Omega$, $f = 1\ \text{M Hz}$,	Switch OFF, See Figure 25	25°C	1.8 V		-64		dB
Crosstalk	X_{TALK}	$R_L = 50\ \Omega$, $f = 1\ \text{MHz}$,	Switch ON, See Figure 26	25°C	1.8 V		-64		dB
Total harmonic distortion	THD	$R_L = 600\ \Omega$, $C_L = 50\ \text{pF}$,	$f = 20\ \text{Hz to }20\ \text{kHz}$, See Figure 28	25°C	1.8 V		0.08%		
SUPPLY									
Positive supply current	I_{CC}	$V_I = V_{CC}$ or GND,	Switch ON or OFF	25°C	1.95 V	1			nA
				Full		200			

6.9 Typical Characteristics



Typical Characteristics (continued)

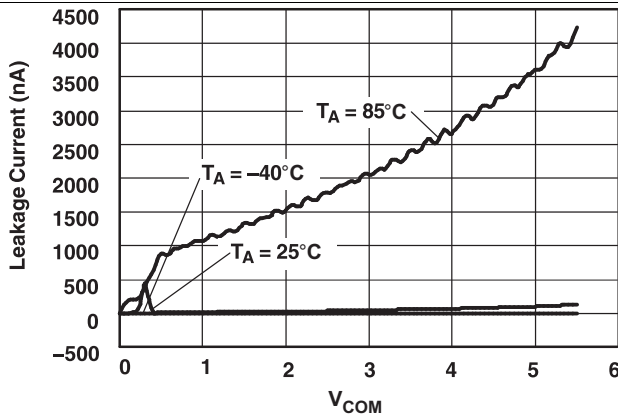


Figure 7. $I_{COM(PWROFF)}$ Leakage Current vs V_{COM} Over Temperature ($V_{CC} = 0\text{ V}$)

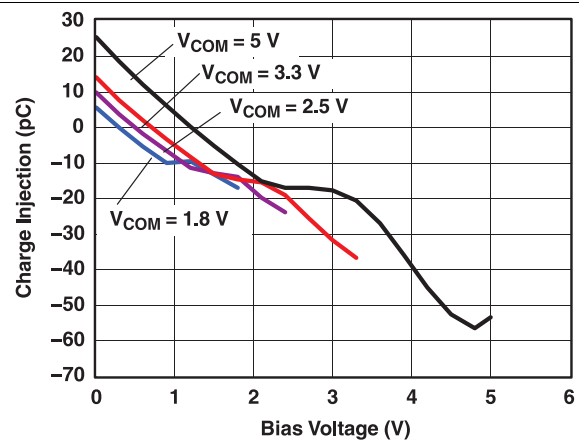


Figure 8. Charge Injection (Q_C) vs V_{COM}

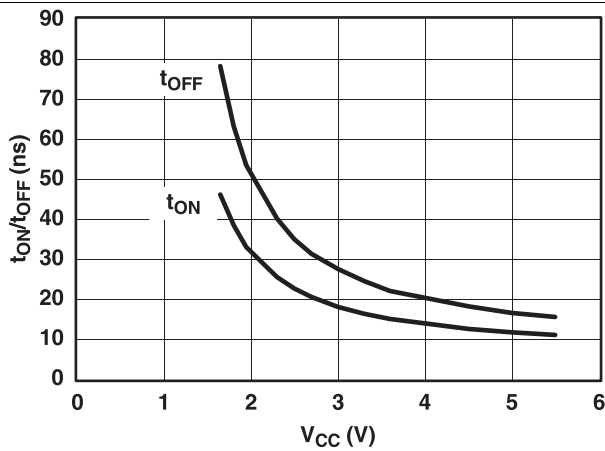


Figure 9. t_{ON} and t_{OFF} vs Supply Voltage

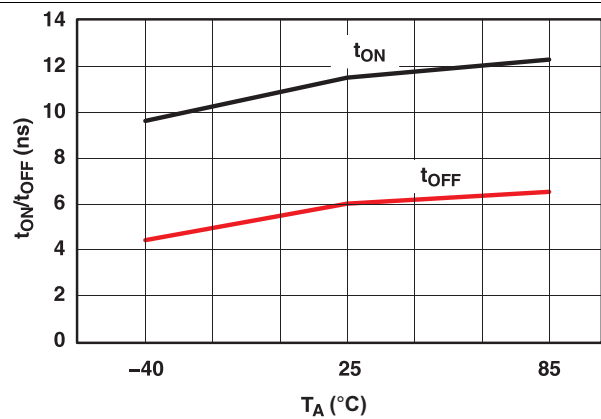


Figure 10. T_{ON} and T_{OFF} vs Temperature

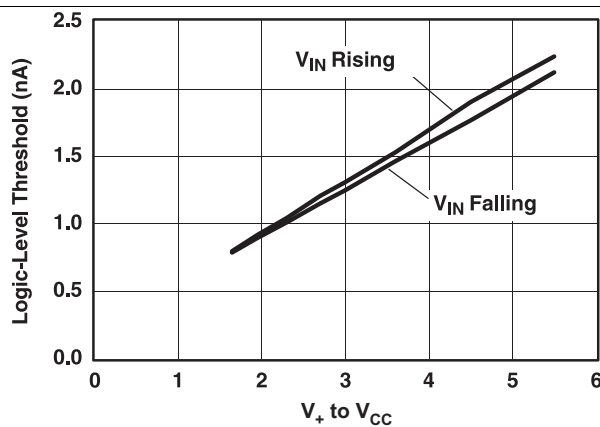


Figure 11. Logic-Level Threshold vs V_{CC}

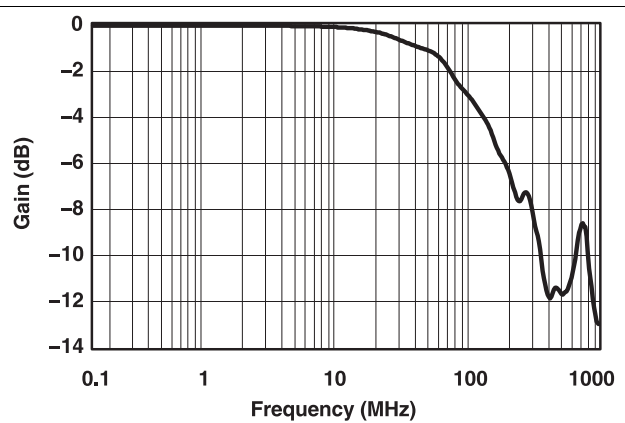


Figure 12. Bandwidth ($V_{CC} = 5\text{ V}$)

Typical Characteristics (continued)

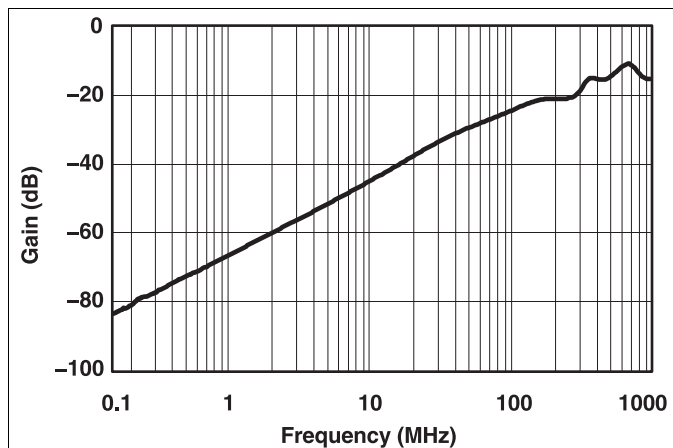


Figure 13. Off Isolation ($V_{CC} = 5\text{ V}$)

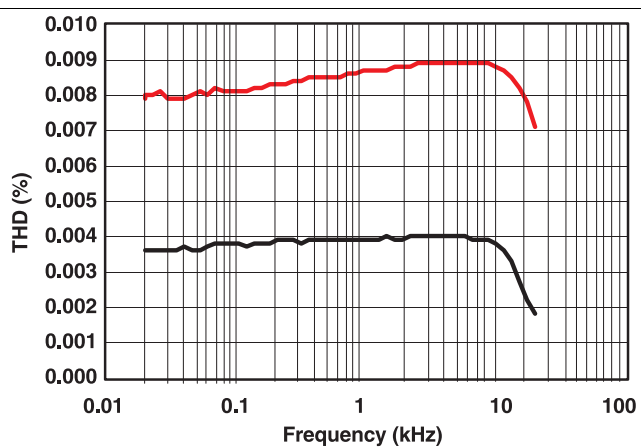


Figure 14. Total Harmonic Distortion vs Frequency ($V_{CC} = 5\text{ V}$)

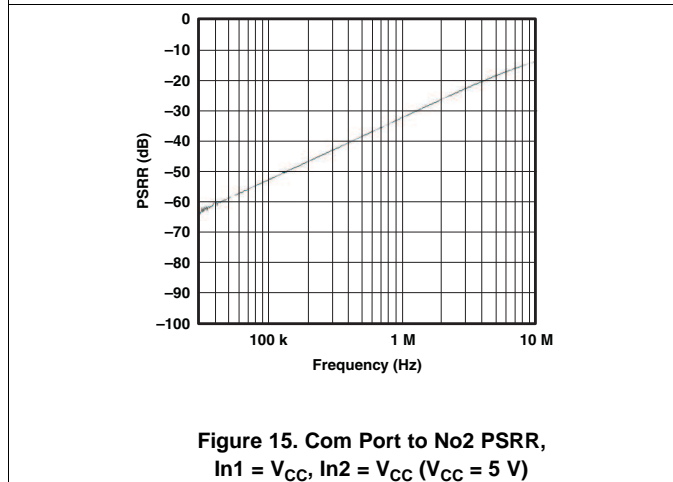


Figure 15. Com Port to No2 PSRR, $In1 = V_{CC}$, $In2 = V_{CC}$ ($V_{CC} = 5\text{ V}$)

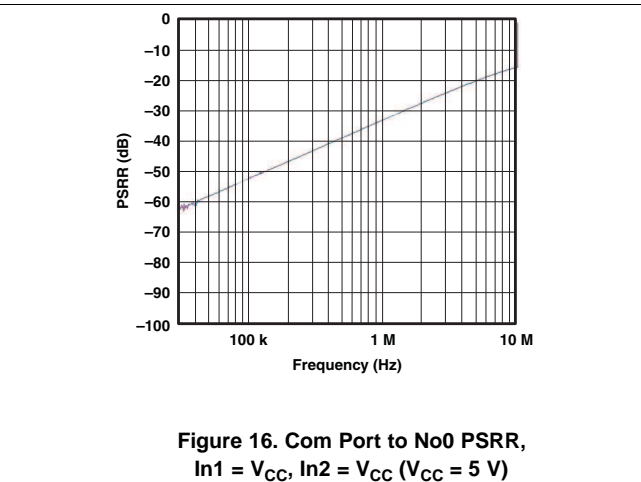


Figure 16. Com Port to No0 PSRR, $In1 = V_{CC}$, $In2 = V_{CC}$ ($V_{CC} = 5\text{ V}$)

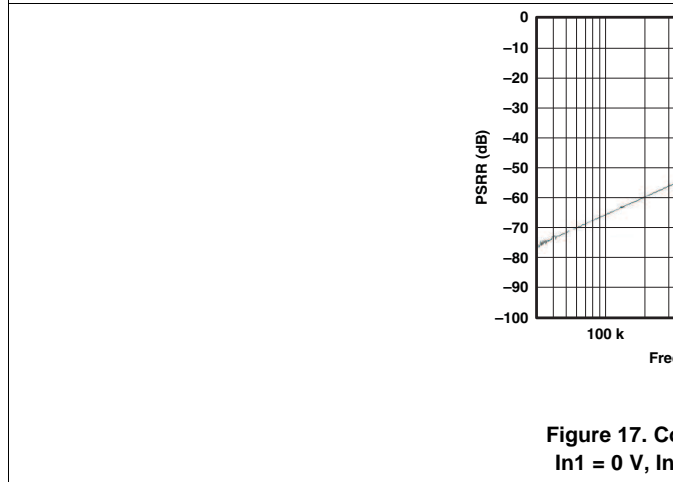


Figure 17. Com Port Hi-Z PSRR, $In1 = 0\text{ V}$, $In2 = 0\text{ V}$ ($V_{CC} = 5\text{ V}$)

7 Parameter Measurement Information

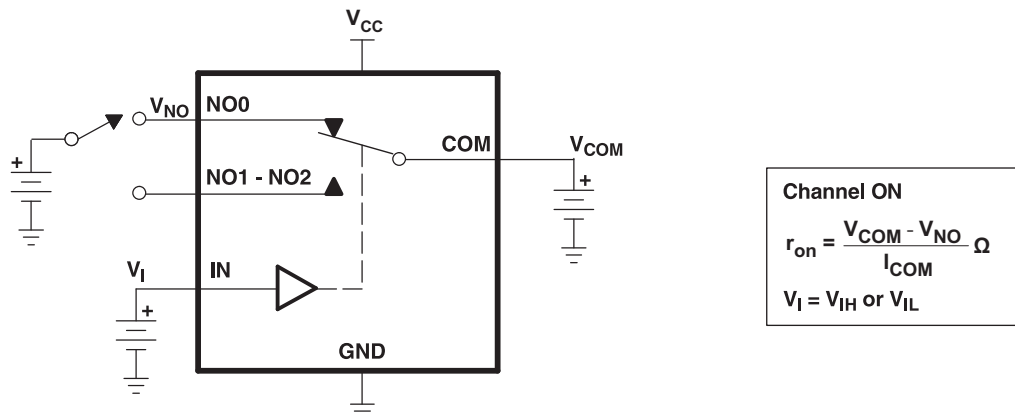


Figure 18. ON-State Resistance (R_{on})

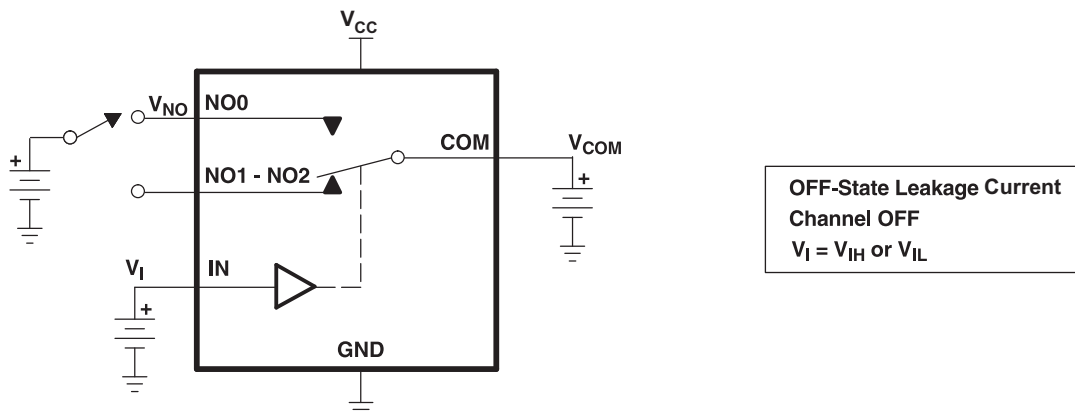


Figure 19. OFF-State Leakage Current ($I_{NC(OFF)}$, $I_{NO(OFF)}$, $I_{NO(PWROFF)}$, $I_{COM(OFF)}$, $I_{COM(PWROFF)}$)

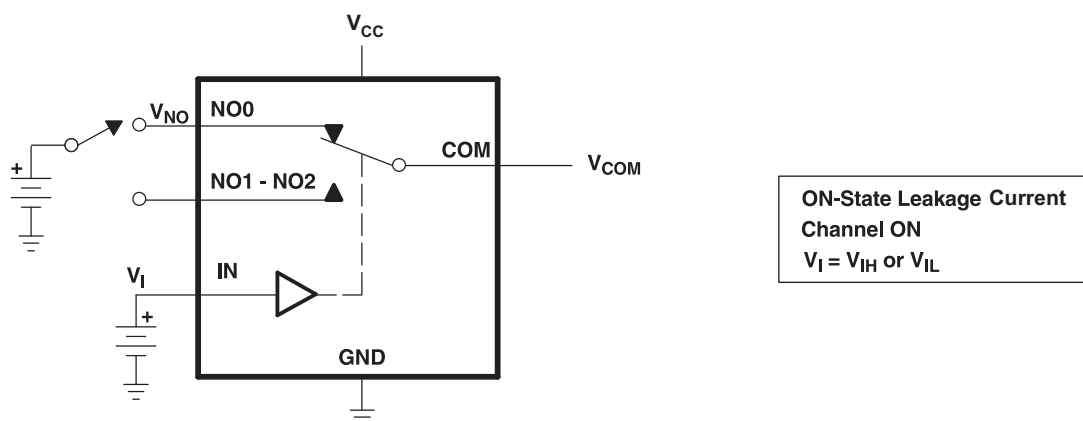


Figure 20. ON-State Leakage Current ($I_{COM(ON)}$, $I_{NO(ON)}$)

Parameter Measurement Information (continued)

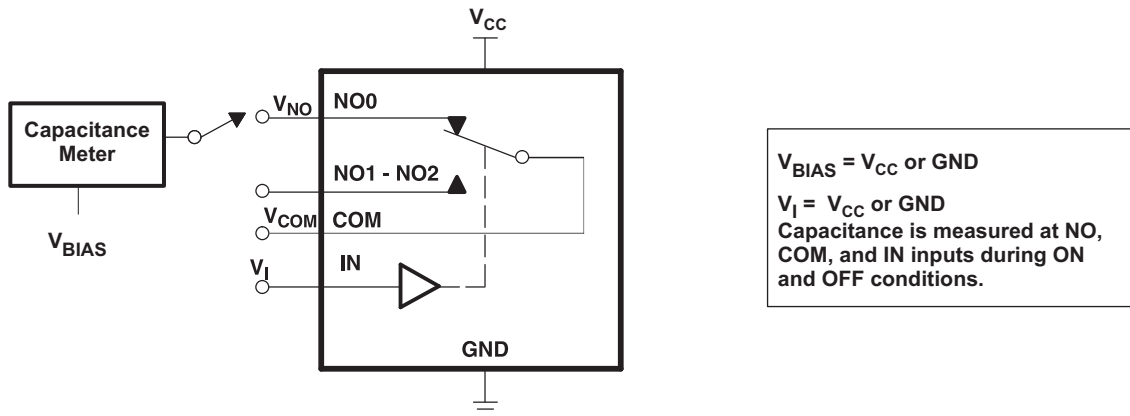
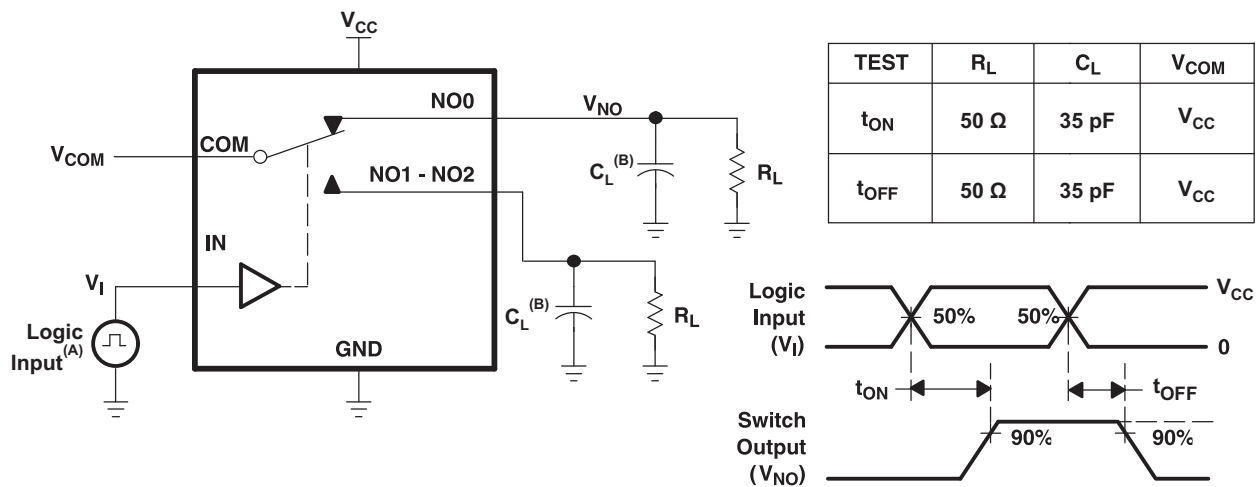


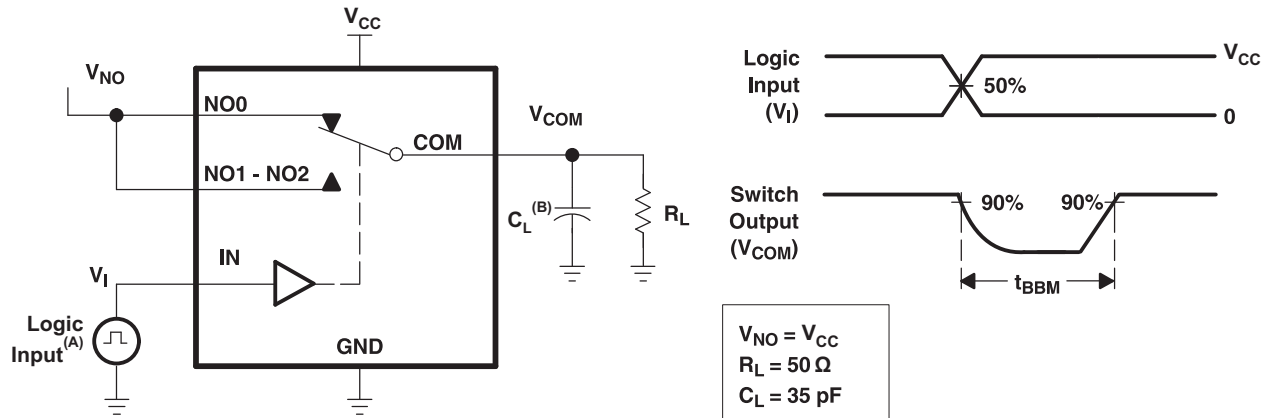
Figure 21. Capacitance (C_I , $C_{COM(ON)}$, $C_{NO(OFF)}$, $C_{COM(OFF)}$, $C_{NO(ON)}$)



- A. All input pulses are supplied by generators having the following characteristics: PRR \leq 10 MHz, $Z_O = 50 \Omega$, $t_r < 5$ ns, $t_f < 5$ ns.
- B. C_L includes probe and jig capacitance.

Figure 22. Turnon (t_{ON}) and Turnoff Time (t_{OFF})

Parameter Measurement Information (continued)



- A. All input pulses are supplied by generators having the following characteristics: PRR \leq 10 MHz, Z_O = 50 Ω , t_r < 5 ns, t_f < 5 ns.
- B. C_L includes probe and jig capacitance.

Figure 23. Break-Before-Make Time (t_{BBM})

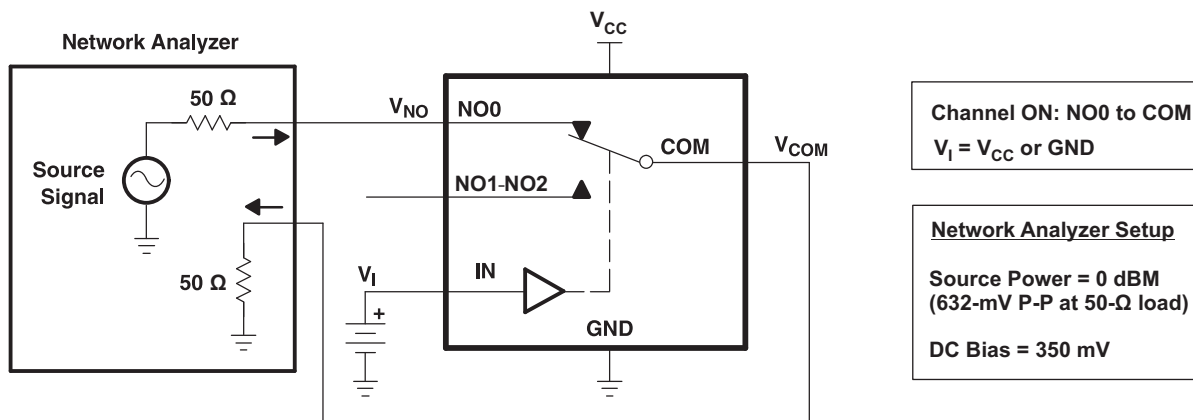


Figure 24. Bandwidth (BW)

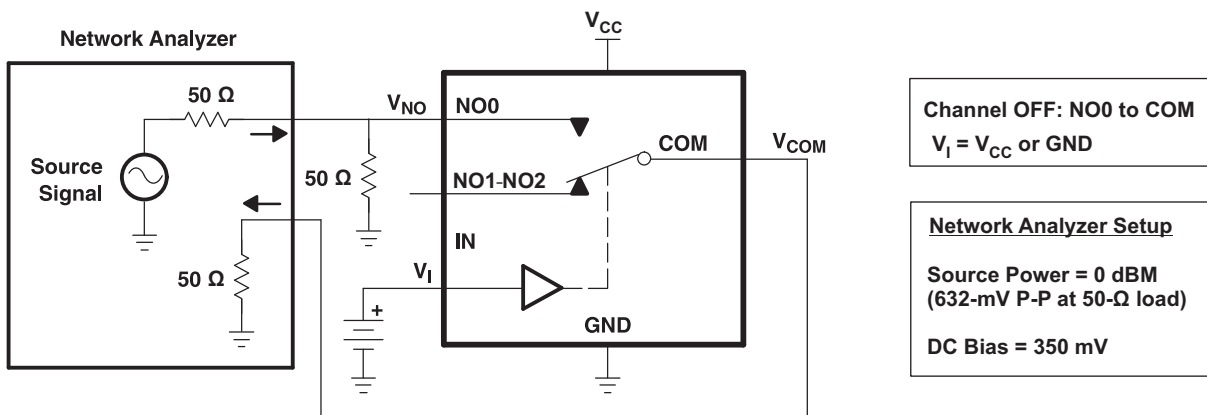


Figure 25. Off Isolation (O_{ISO})

Parameter Measurement Information (continued)

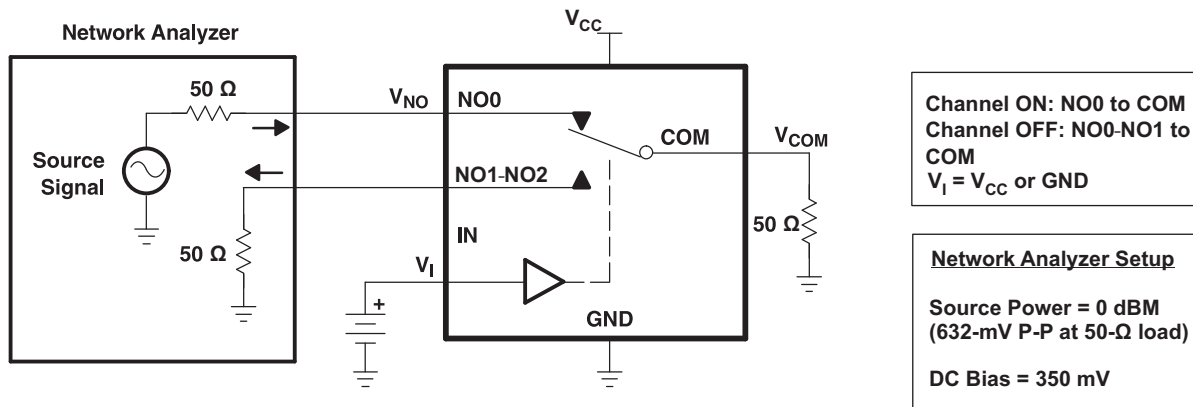
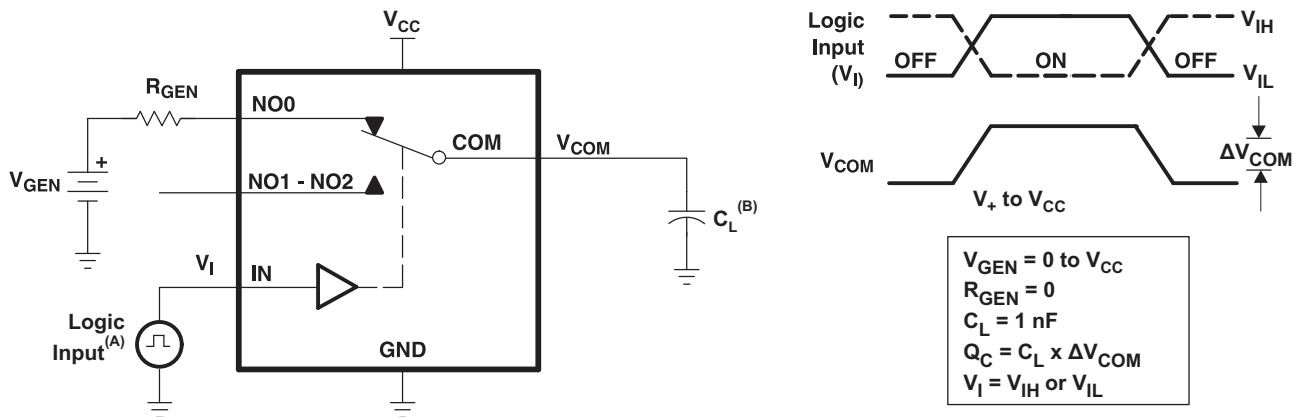
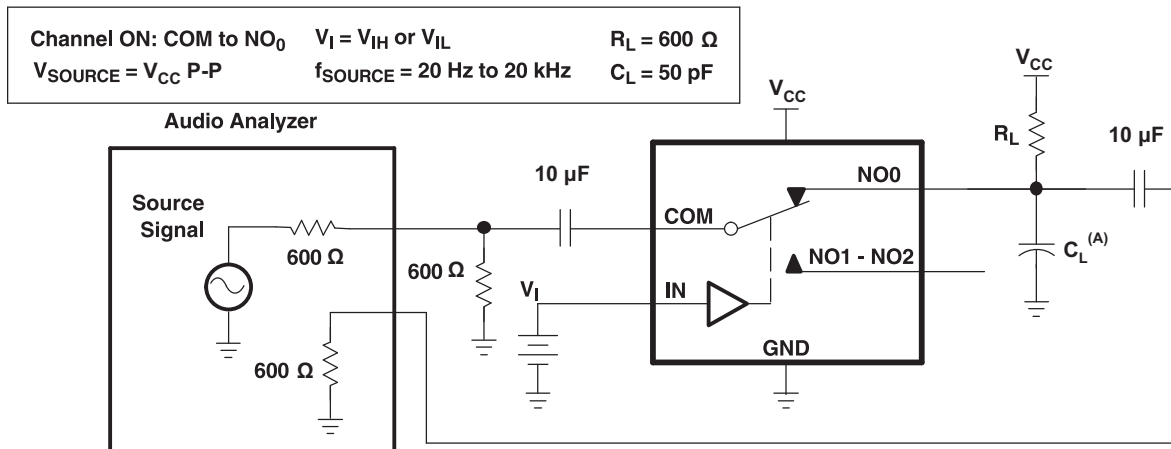


Figure 26. Crosstalk (X_{TALK})



- A. All input pulses are supplied by generators having the following characteristics: $PRR \leq 10$ MHz, $ZO = 50 \Omega$, $t_r < 5$ ns, $t_f < 5$ ns.
- B. C_L includes probe and jig capacitance.

Figure 27. Charge Injection (Q_C)



- A. C_L includes probe and jig capacitance.

Figure 28. Total Harmonic Distortion (THD)

Table 1. Parameter Description

SYMBOL	DESCRIPTION
V_{COM}	Voltage at COM
V_{NO}	Voltage at NO
r_{on}	Resistance between COM and NC or COM and NO ports when the channel is ON
r_{peak}	Peak ON-state resistance over a specified voltage range
Δr_{on}	Difference of r_{on} between channels in a specific device
$r_{on(Flat)}$	Difference between the maximum and minimum value of r_{on} in a channel over the specified range of conditions
$I_{NO(OFF)}$	Leakage current measured at the NO port, with the corresponding channel (NO to COM) in the OFF state
$I_{NO(PWROFF)}$	Leakage current measured at the NO port during the power-down condition, $V_{CC} = 0$.
$I_{NO(ON)}$	Leakage current measured at the NO port, with the corresponding channel (NO to COM) in the ON state and the output (COM) open
$I_{COM(ON)}$	Leakage current measured at the COM port, with the corresponding channel (COM to NO or COM to NC) in the ON state and the output (NC or NO) open
$I_{COM(OFF)}$	Leakage current measured at the COM port during the power-down condition, $V_{CC} = 0$
$I_{COM(PWROFF)}$	Leakage current measured at the COM port during the power-down condition, $V_{CC} = 0$.
V_{IH}	Minimum input voltage for logic high for the control input (IN)
V_{IL}	Maximum input voltage for logic low for the control input (IN)
V_I	Voltage at the control input (IN)
I_{IH}, I_{IL}	Leakage current measured at the control input (IN)
t_{ON}	Turnon time for the switch. This parameter is measured under the specified range of conditions and by the propagation delay between the digital control (IN) signal and analog output (COM or NO) signal when the switch is turning ON.
t_{OFF}	Turnoff time for the switch. This parameter is measured under the specified range of conditions and by the propagation delay between the digital control (IN) signal and analog output (COM or NO) signal when the switch is turning OFF.
t_{BBM}	Break-before-make time. This parameter is measured under the specified range of conditions and by the propagation delay between the output of two adjacent analog channels (NC and NO) when the control signal changes state.
Q_C	Charge injection is a measurement of unwanted signal coupling from the control (IN) input to the analog (NO or COM) output. This is measured in coulomb (C) and measured by the total charge induced due to switching of the control input. Charge injection, $Q_C = C_L \times \Delta V_{COM}$. C_L is the load capacitance and ΔV_{COM} is the change in analog output voltage.
$C_{NO(OFF)}$	Capacitance at the NO port when the corresponding channel (NO to COM) is OFF
$C_{NO(ON)}$	Capacitance at the NO port when the corresponding channel (NO to COM) is ON
$C_{COM(ON)}$	Capacitance at the COM port when the corresponding channel (COM to NO) is ON
$C_{COM(OFF)}$	Capacitance at the COM port when the corresponding channel (COM to NO) is OFF
C_I	Capacitance of control input (IN)
O_{ISO}	OFF isolation of the switch is a measurement of OFF-state switch impedance. This is measured in dB in a specific frequency, with the corresponding channel (NC to COM or NO to COM) in the OFF state.
X_{TALK}	Crosstalk is a measurement of unwanted signal coupling from an ON channel to an OFF channel (NC to NO or NO to NC). This is measured in a specific frequency and in dB.
BW	Bandwidth of the switch. This is the frequency in which the gain of an ON channel is –3 dB less than the DC gain.
THD	Total harmonic distortion describes the signal distortion caused by the analog switch. This is defined as the ratio of root mean square (RMS) value of the second, third, and higher harmonic to the absolute magnitude of the fundamental harmonic.
I_{CC}	Static power-supply current with the control (IN) pin at V_{CC} or GND

Table 2. Summary of Characteristics⁽¹⁾

PARAMETER	CHARACTERISTIC
Configuration	Triple 3:1 Multiplexer/ Demultiplexer (1 × SP3T)
Number of channels	1
ON-state resistance (r_{on})	1.1 Ω
ON-state resistance match (Δr_{on})	0.1 Ω
ON-state resistance flatness ($r_{on(flat)}$)	0.15 Ω
Turnon/turnoff time (t_{ON}/t_{OFF})	40 ns/35 ns
Break-before-make time (t_{BBM})	1 ns
Charge injection (Q_C)	40 pC
Bandwidth (BW)	100 MHz
OFF isolation (O_{ISO})	–65 dB at 10 MHz
Crosstalk (X_{TALK})	–66 dB at 10 MHz
Total harmonic distortion (THD)	0.01%
Leakage current ($I_{COM(OFF)}/I_{NO(OFF)}$)	$\pm 20 \mu A$
Power supply current (I_{CC})	0.1 μA
Package options	8-pin DCU or YZP

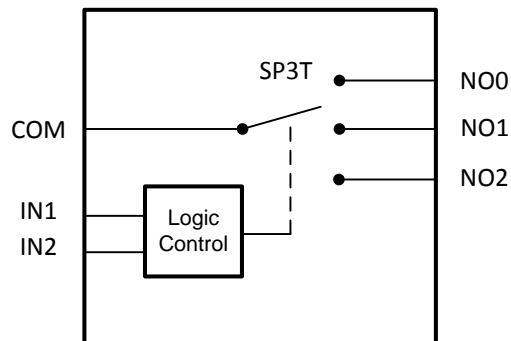
(1) $V_{CC} = 5 V$, $T_A = 25^\circ C$

8 Detailed Description

8.1 Overview

The TS5A3359 is a bidirectional, single-channel, single-pole triple-throw (SP3T) analog switch that is designed to operate from 1.65 V to 5.5 V. This device provides a signal switching solution while maintaining excellent signal integrity, which makes the TS5A3359 suitable for a wide range of applications in various markets including personal electronics, portable instrumentation, and test and measurement equipment. The device maintains the signal integrity by its low ON-state resistance, excellent ON-state resistance matching, and total harmonic distortion (THD) performance. To prevent signal distortion during the transferring of a signal from one channel to another, the TS5A3359 device also has a specified break-before-make feature. The device consumes very low power and provides isolation when $V_{CC} = 0$.

8.2 Functional Block Diagram



8.3 Feature Description

Isolation in Power-Down Mode, $V_{CC} = 0$

When power is not supplied to the VCC pin, $V_{CC} = 0$, the signal paths NO and COM are high impedance. This is specified in the electrical characteristics table under the COM and NO OFF leakage current when $V_{CC} = 0$. Because the device is high impedance when it is not powered, you may connect other signals to the signal chain without interference of the TS5A3359.

8.4 Device Functional Modes

Table 3. Function Table

IN2	IN1	COM TO NO, NO TO COM
L	L	OFF
L	H	COM = NO0
H	L	COM = NO1
H	H	COM = NO2

9 Application and Implementation

NOTE

Information in the following applications sections is not part of the TI component specification, and TI does not warrant its accuracy or completeness. TI's customers are responsible for determining suitability of components for their purposes. Customers should validate and test their design implementation to confirm system functionality.

9.1 Application Information

The TS5A3359 switch is bidirectional, so the NO and COM pins can be used as either inputs or outputs. This switch is typically used when there is only one signal path that needs to be able to communicate to 3 different signal paths.

9.2 Typical Application

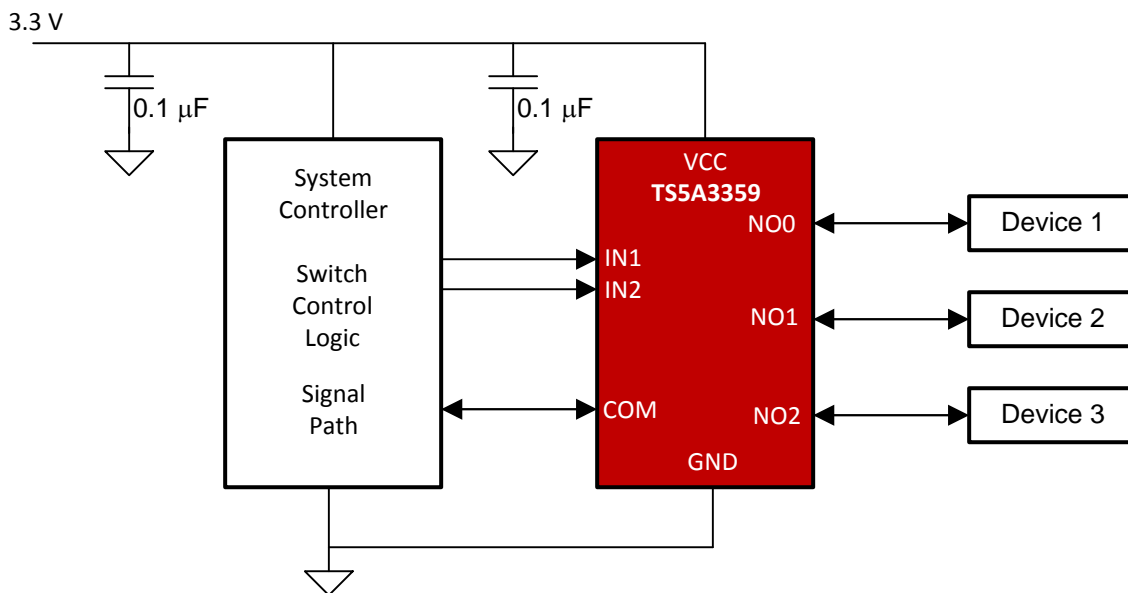


Figure 29. Typical Application Schematic

9.2.1 Design Requirements

The TS5A3359 device can be properly operated without any external components. However, TI recommends connecting unused pins to ground through a 50-Ω resistor to prevent signal reflections back into the device. TI also recommends pulling up the digital control pins (IN1 and IN2) to VCC or pulling down to GND to avoid undesired switch positions that could result from the floating pin.

Select the appropriate supply voltage to cover the entire voltage swing of the signal passing through the switch because the TS5A3359 input and output signal swing through NO and COM are dependent on the supply voltage V_{CC} . For example, if the desired signal level to pass through the switch is 5 V, V_{CC} must be greater than or equal to 5 V. $V_{CC} = 3.3$ V would not be valid for passing a 5-V signal since the Analog signal voltage cannot exceed the supply.

9.2.2 Detailed Design Procedure

The TS5A3359 device can be properly operated without any external components. However, TI recommends connecting unused pins to ground through a 50-Ω resistor to prevent signal reflections back into the device. TI also recommends pulling up the digital control pins (IN1 and IN2) to VCC or pulling down to GND to avoid undesired switch positions that could result from the floating pin.

Typical Application (continued)

Select the appropriate supply voltage to cover the entire voltage swing of the signal passing through the switch because the TS5A3359 input/output signal swing through NO and COM are dependant of the supply voltage V_{CC} .

9.2.3 Application Curve

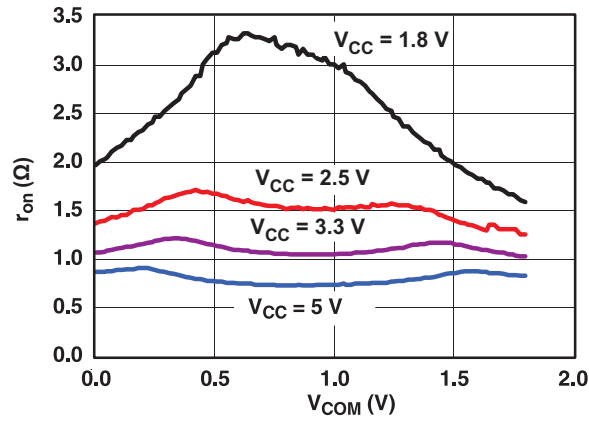


Figure 30. R_{on} vs V_{COM}

10 Power Supply Recommendations

TI recommends proper power-supply sequencing for all CMOS devices. Do not exceed the absolute maximum ratings, because stresses beyond the listed ratings can cause permanent damage to the device. Always sequence VCC on first, followed by NO or COM.

Although it is not required, power-supply bypassing improves noise margin and prevents switching noise propagation from the VCC supply to other components. A 0.1- μ F capacitor, connected from VCC to GND, is adequate for most applications.

11 Layout

11.1 Layout Guidelines

TI recommends following common printed-circuit board layout guidelines to ensure reliability of the device.

- Bypass capacitors should be used on power supplies.
- Short trace lengths should be used to avoid excessive loading.

11.2 Layout Example

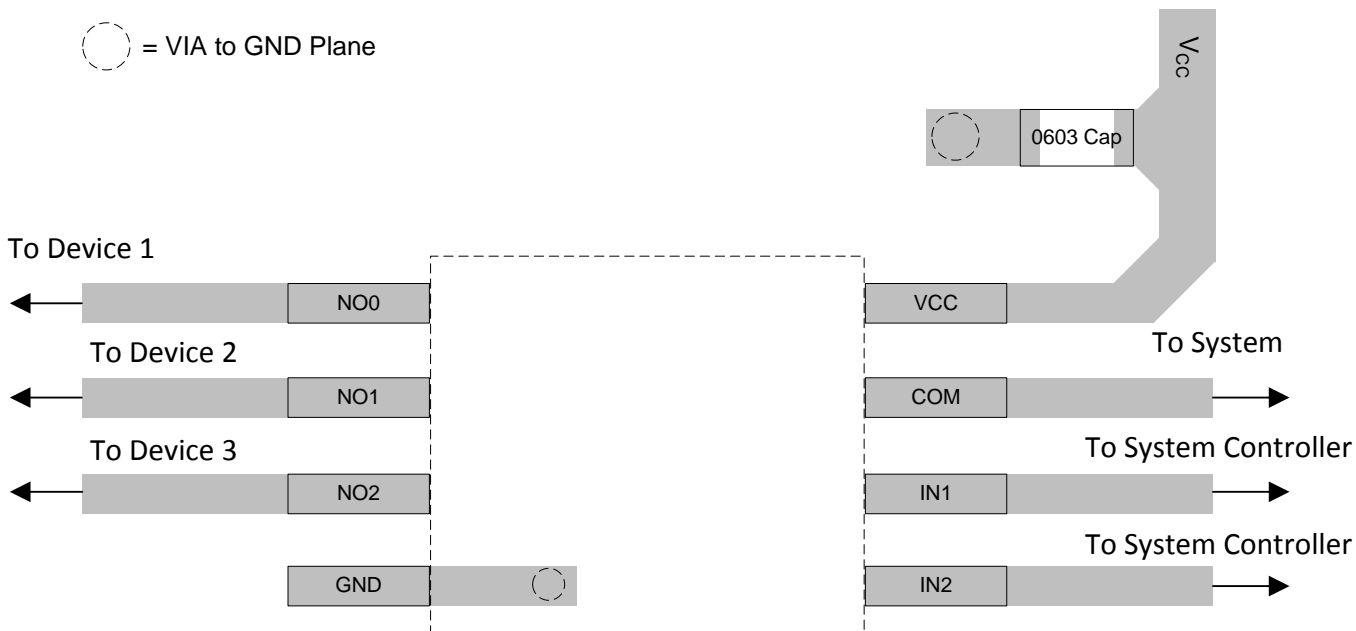


Figure 31. Recommended Layout

12 Device and Documentation Support

12.1 Community Resource

The following links connect to TI community resources. Linked contents are provided "AS IS" by the respective contributors. They do not constitute TI specifications and do not necessarily reflect TI's views; see TI's [Terms of Use](#).

TI E2E™ Online Community *TI's Engineer-to-Engineer (E2E) Community*. Created to foster collaboration among engineers. At e2e.ti.com, you can ask questions, share knowledge, explore ideas and help solve problems with fellow engineers.

Design Support *TI's Design Support* Quickly find helpful E2E forums along with design support tools and contact information for technical support.

12.2 Trademarks

E2E is a trademark of Texas Instruments.
All other trademarks are the property of their respective owners.

12.3 Electrostatic Discharge Caution



These devices have limited built-in ESD protection. The leads should be shorted together or the device placed in conductive foam during storage or handling to prevent electrostatic damage to the MOS gates.

12.4 Glossary

[SLYZ022](#) — *TI Glossary*.

This glossary lists and explains terms, acronyms, and definitions.

13 Mechanical, Packaging, and Orderable Information

The following pages include mechanical, packaging, and orderable information. This information is the most current data available for the designated devices. This data is subject to change without notice and revision of this document. For browser-based versions of this data sheet, refer to the left-hand navigation.

PACKAGING INFORMATION

Orderable Device	Status (1)	Package Type	Package Drawing	Pins	Package Qty	Eco Plan (2)	Lead/Ball Finish (6)	MSL Peak Temp (3)	Op Temp (°C)	Device Marking (4/5)	Samples
TS5A3359DCUR	ACTIVE	VSSOP	DCU	8	3000	Green (RoHS & no Sb/Br)	CU NIPDAU	Level-1-260C-UNLIM	-40 to 85	(AL, JALR) JZ	Samples
TS5A3359DCUT	ACTIVE	VSSOP	DCU	8	250	Green (RoHS & no Sb/Br)	CU NIPDAU	Level-1-260C-UNLIM	-40 to 85	(AL, JALR) JZ	Samples
TS5A3359DCUTG4	ACTIVE	VSSOP	DCU	8	250	Green (RoHS & no Sb/Br)	CU NIPDAU	Level-1-260C-UNLIM	-40 to 85	(AL, JALR) JZ	Samples
TS5A3359YZPR	ACTIVE	DSBGA	YZP	8	3000	Green (RoHS & no Sb/Br)	SNAGCU	Level-1-260C-UNLIM	-40 to 85	(J9, J97)	Samples

(1) The marketing status values are defined as follows:

ACTIVE: Product device recommended for new designs.

LIFEBUY: TI has announced that the device will be discontinued, and a lifetime-buy period is in effect.

NRND: Not recommended for new designs. Device is in production to support existing customers, but TI does not recommend using this part in a new design.

PREVIEW: Device has been announced but is not in production. Samples may or may not be available.

OBSOLETE: TI has discontinued the production of the device.

(2) **RoHS:** TI defines "RoHS" to mean semiconductor products that are compliant with the current EU RoHS requirements for all 10 RoHS substances, including the requirement that RoHS substance do not exceed 0.1% by weight in homogeneous materials. Where designed to be soldered at high temperatures, "RoHS" products are suitable for use in specified lead-free processes. TI may reference these types of products as "Pb-Free".

RoHS Exempt: TI defines "RoHS Exempt" to mean products that contain lead but are compliant with EU RoHS pursuant to a specific EU RoHS exemption.

Green: TI defines "Green" to mean the content of Chlorine (Cl) and Bromine (Br) based flame retardants meet JS709B low halogen requirements of <=1000ppm threshold. Antimony trioxide based flame retardants must also meet the <=1000ppm threshold requirement.

(3) MSL, Peak Temp. - The Moisture Sensitivity Level rating according to the JEDEC industry standard classifications, and peak solder temperature.

(4) There may be additional marking, which relates to the logo, the lot trace code information, or the environmental category on the device.

(5) Multiple Device Markings will be inside parentheses. Only one Device Marking contained in parentheses and separated by a "-" will appear on a device. If a line is indented then it is a continuation of the previous line and the two combined represent the entire Device Marking for that device.

(6) Lead/Ball Finish - Orderable Devices may have multiple material finish options. Finish options are separated by a vertical ruled line. Lead/Ball Finish values may wrap to two lines if the finish value exceeds the maximum column width.

Important Information and Disclaimer:The information provided on this page represents TI's knowledge and belief as of the date that it is provided. TI bases its knowledge and belief on information provided by third parties, and makes no representation or warranty as to the accuracy of such information. Efforts are underway to better integrate information from third parties. TI has taken and

continues to take reasonable steps to provide representative and accurate information but may not have conducted destructive testing or chemical analysis on incoming materials and chemicals. TI and TI suppliers consider certain information to be proprietary, and thus CAS numbers and other limited information may not be available for release.

In no event shall TI's liability arising out of such information exceed the total purchase price of the TI part(s) at issue in this document sold by TI to Customer on an annual basis.

TAPE AND REEL INFORMATION



QUADRANT ASSIGNMENTS FOR PIN 1 ORIENTATION IN TAPE



*All dimensions are nominal

Device	Package Type	Package Drawing	Pins	SPQ	Reel Diameter (mm)	Reel Width W1 (mm)	A0 (mm)	B0 (mm)	K0 (mm)	P1 (mm)	W (mm)	Pin1 Quadrant
TS5A3359DCUR	VSSOP	DCU	8	3000	180.0	8.4	2.25	3.35	1.05	4.0	8.0	Q3
TS5A3359YZPR	DSBGA	YZP	8	3000	180.0	8.4	1.02	2.02	0.63	4.0	8.0	Q1

TAPE AND REEL BOX DIMENSIONS

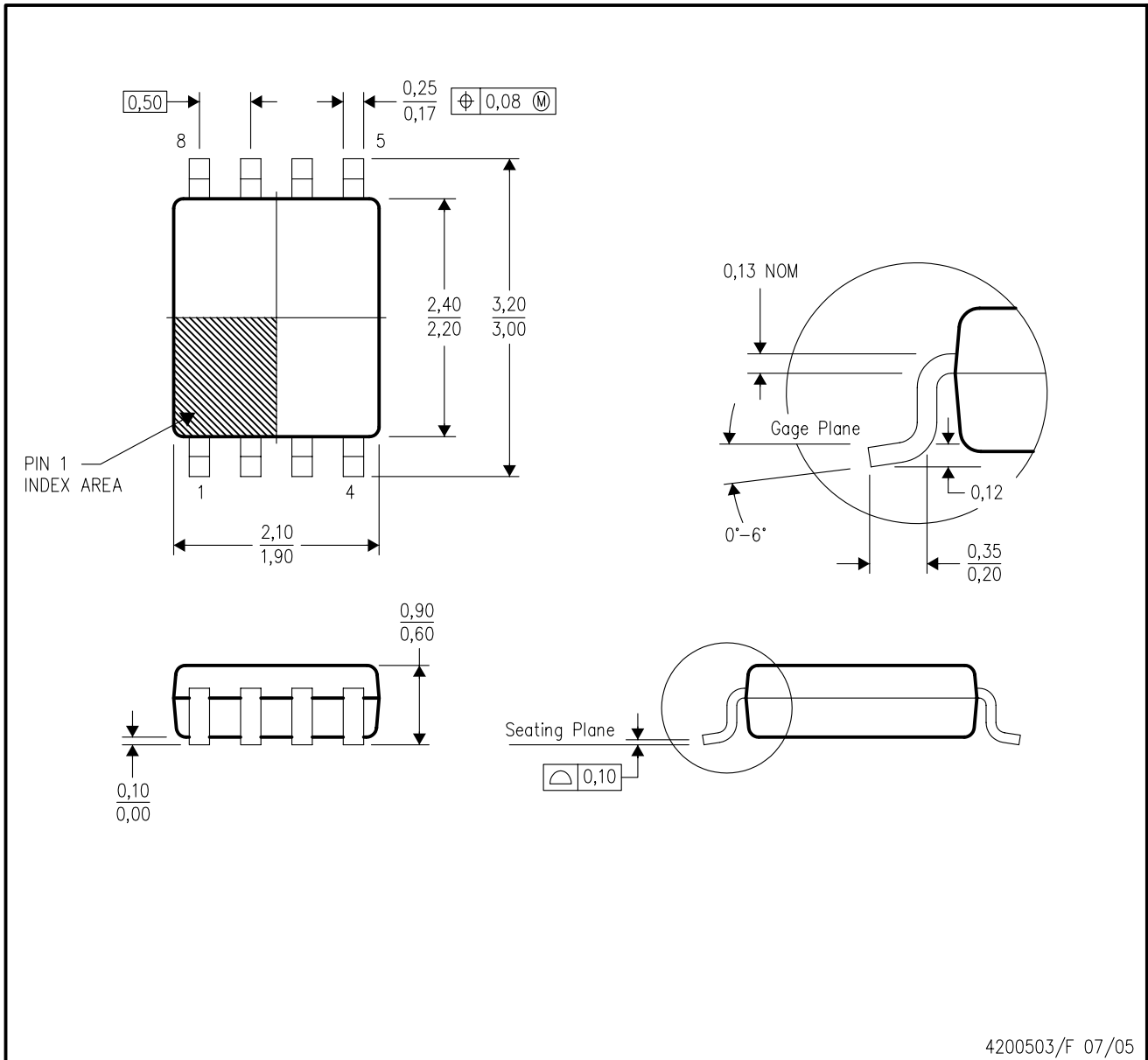

*All dimensions are nominal

Device	Package Type	Package Drawing	Pins	SPQ	Length (mm)	Width (mm)	Height (mm)
TS5A3359DCUR	VSSOP	DCU	8	3000	202.0	201.0	28.0
TS5A3359YZPR	DSBGA	YZP	8	3000	210.0	185.0	35.0

MECHANICAL DATA

DCU (R-PDSO-G8)

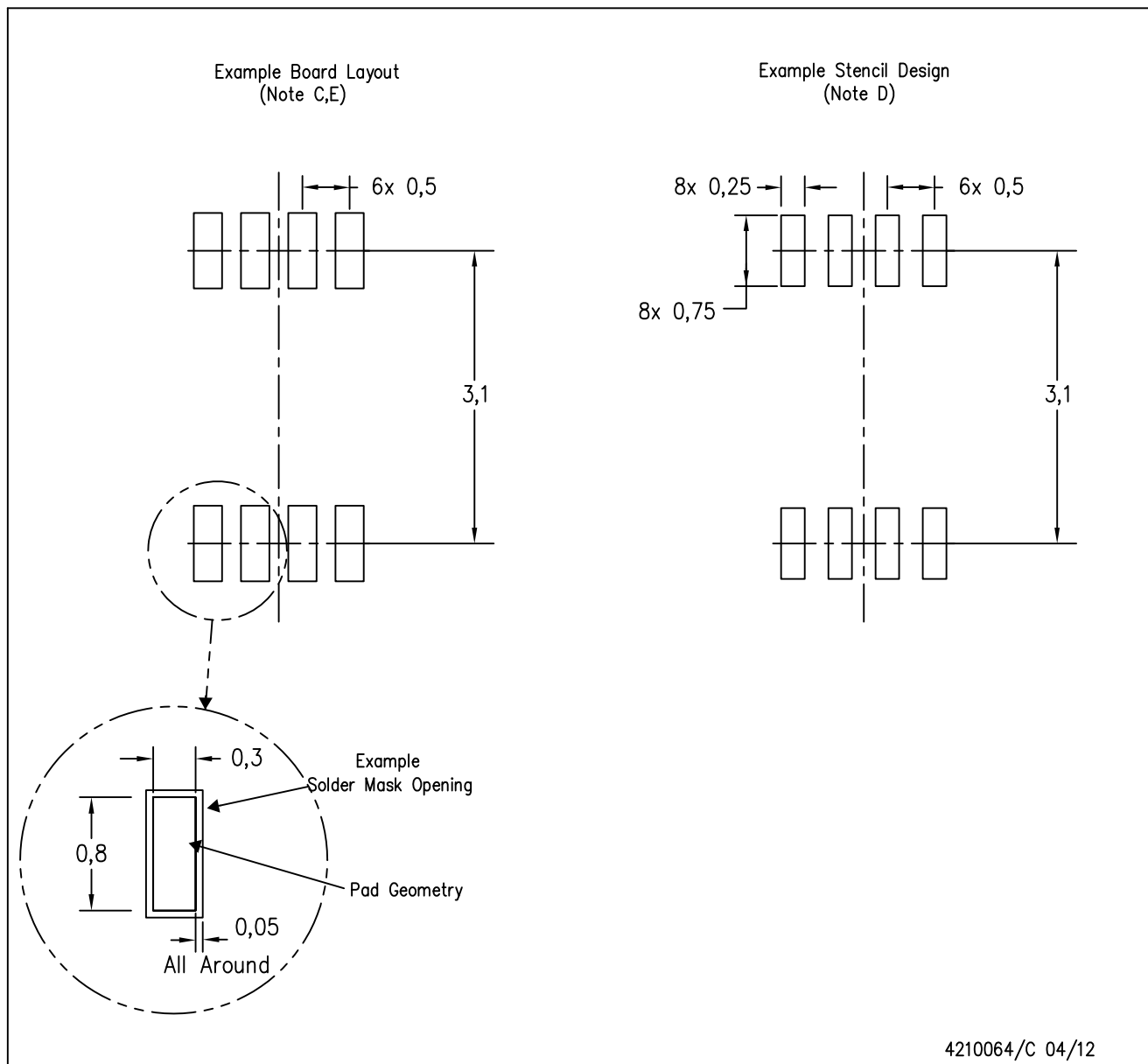
PLASTIC SMALL-OUTLINE PACKAGE (DIE DOWN)



- NOTES:
- A. All linear dimensions are in millimeters.
 - B. This drawing is subject to change without notice.
 - C. Body dimensions do not include mold flash or protrusion. Mold flash and protrusion shall not exceed 0.15 per side.
 - D. Falls within JEDEC MO-187 variation CA.

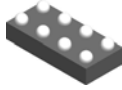
DCU (S-PDSO-G8)

PLASTIC SMALL OUTLINE PACKAGE (DIE DOWN)



- NOTES:
- A. All linear dimensions are in millimeters.
 - B. This drawing is subject to change without notice.
 - C. Publication IPC-7351 is recommended for alternate designs.
 - D. Laser cutting apertures with trapezoidal walls and also rounding corners will offer better paste release. Customers should contact their board assembly site for stencil design recommendations. Refer to IPC-7525 for other stencil recommendations.
 - E. Customers should contact their board fabrication site for solder mask tolerances between and around signal pads.

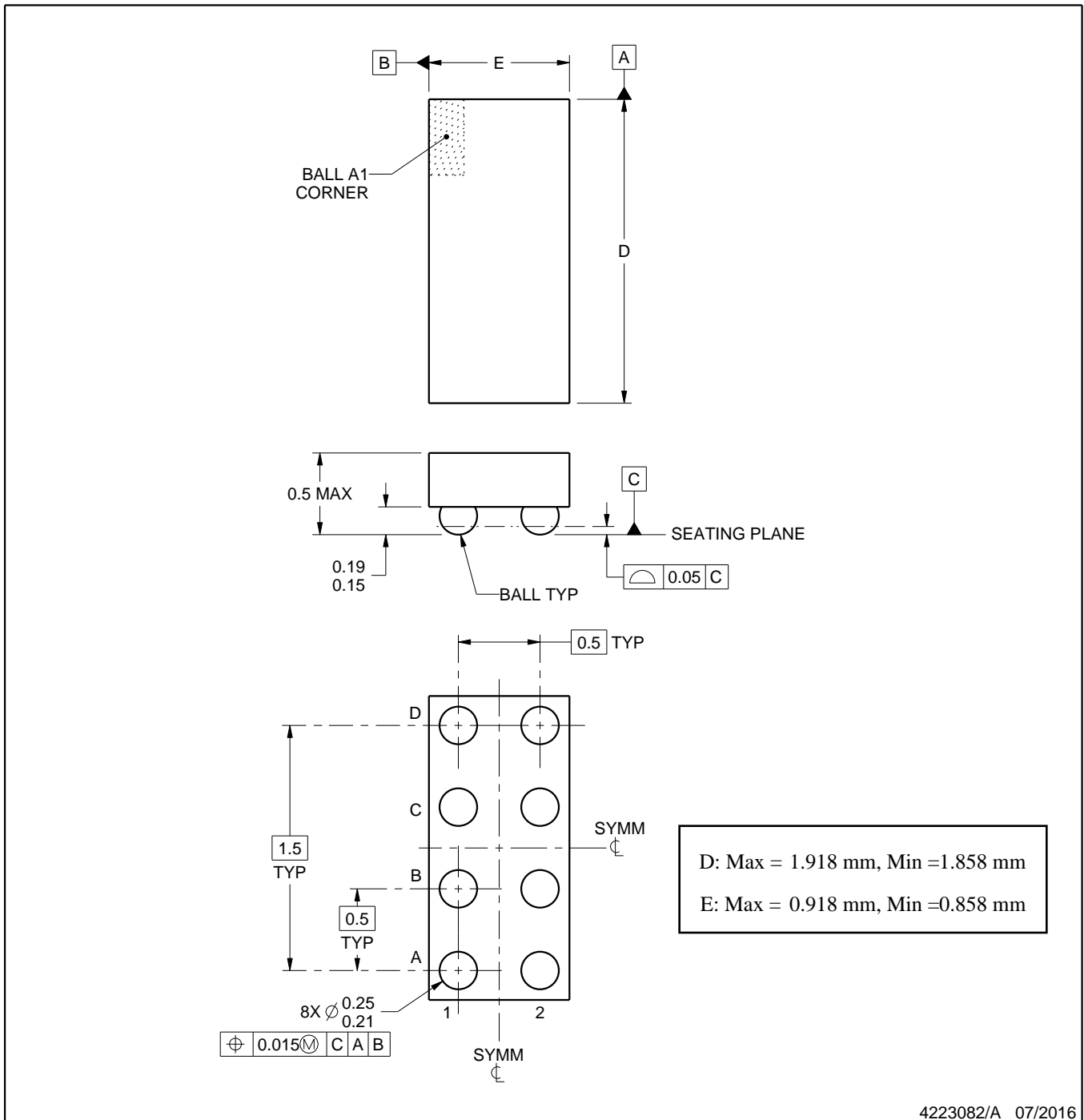
YZP0008



PACKAGE OUTLINE

DSBGA - 0.5 mm max height

DIE SIZE BALL GRID ARRAY



NOTES:

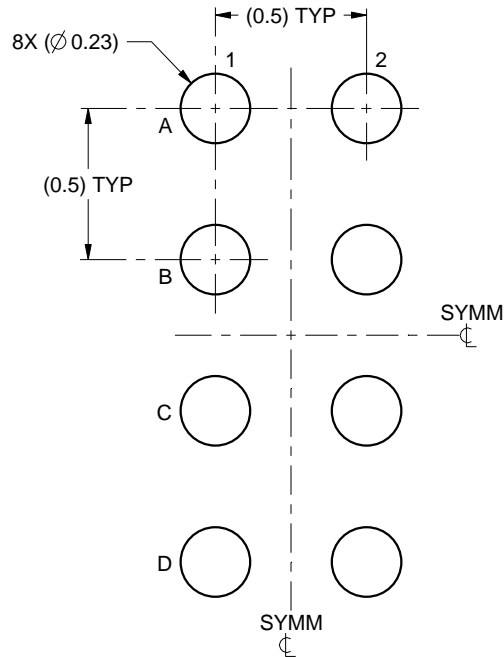
1. All linear dimensions are in millimeters. Any dimensions in parenthesis are for reference only. Dimensioning and tolerancing per ASME Y14.5M.
2. This drawing is subject to change without notice.

EXAMPLE BOARD LAYOUT

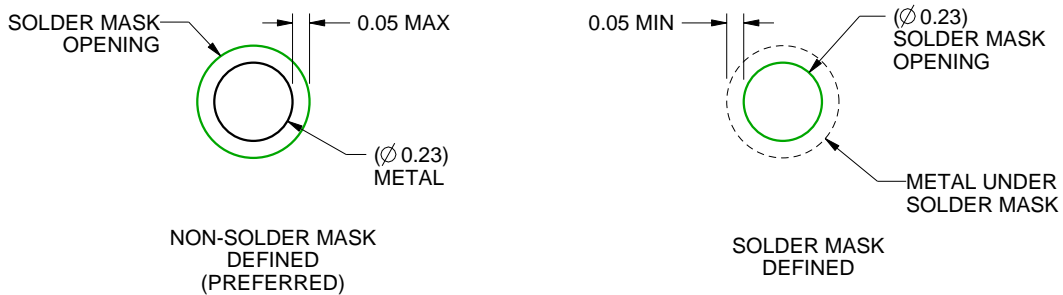
YZP0008

DSBGA - 0.5 mm max height

DIE SIZE BALL GRID ARRAY



LAND PATTERN EXAMPLE
SCALE:40X



SOLDER MASK DETAILS
NOT TO SCALE

4223082/A 07/2016

NOTES: (continued)

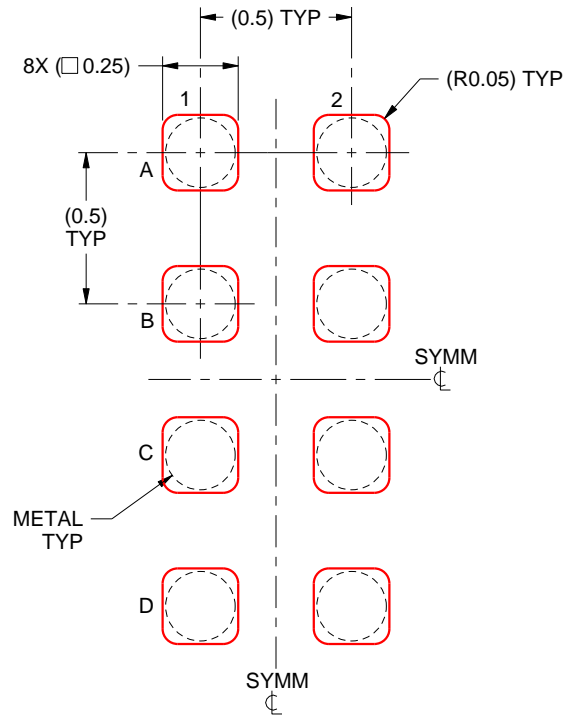
3. Final dimensions may vary due to manufacturing tolerance considerations and also routing constraints. For more information, see Texas Instruments literature number SNVA009 (www.ti.com/lit/snva009).

EXAMPLE STENCIL DESIGN

YZP0008

DSBGA - 0.5 mm max height

DIE SIZE BALL GRID ARRAY



SOLDER PASTE EXAMPLE
BASED ON 0.1 mm THICK STENCIL
SCALE:40X

4223082/A 07/2016

NOTES: (continued)

4. Laser cutting apertures with trapezoidal walls and rounded corners may offer better paste release.

IMPORTANT NOTICE AND DISCLAIMER

TI PROVIDES TECHNICAL AND RELIABILITY DATA (INCLUDING DATASHEETS), DESIGN RESOURCES (INCLUDING REFERENCE DESIGNS), APPLICATION OR OTHER DESIGN ADVICE, WEB TOOLS, SAFETY INFORMATION, AND OTHER RESOURCES "AS IS" AND WITH ALL FAULTS, AND DISCLAIMS ALL WARRANTIES, EXPRESS AND IMPLIED, INCLUDING WITHOUT LIMITATION ANY IMPLIED WARRANTIES OF MERCHANTABILITY, FITNESS FOR A PARTICULAR PURPOSE OR NON-INFRINGEMENT OF THIRD PARTY INTELLECTUAL PROPERTY RIGHTS.

These resources are intended for skilled developers designing with TI products. You are solely responsible for (1) selecting the appropriate TI products for your application, (2) designing, validating and testing your application, and (3) ensuring your application meets applicable standards, and any other safety, security, or other requirements. These resources are subject to change without notice. TI grants you permission to use these resources only for development of an application that uses the TI products described in the resource. Other reproduction and display of these resources is prohibited. No license is granted to any other TI intellectual property right or to any third party intellectual property right. TI disclaims responsibility for, and you will fully indemnify TI and its representatives against, any claims, damages, costs, losses, and liabilities arising out of your use of these resources.

TI's products are provided subject to TI's Terms of Sale (www.ti.com/legal/termsofsale.html) or other applicable terms available either on ti.com or provided in conjunction with such TI products. TI's provision of these resources does not expand or otherwise alter TI's applicable warranties or warranty disclaimers for TI products.

Mailing Address: Texas Instruments, Post Office Box 655303, Dallas, Texas 75265
Copyright © 2019, Texas Instruments Incorporated