



### Features

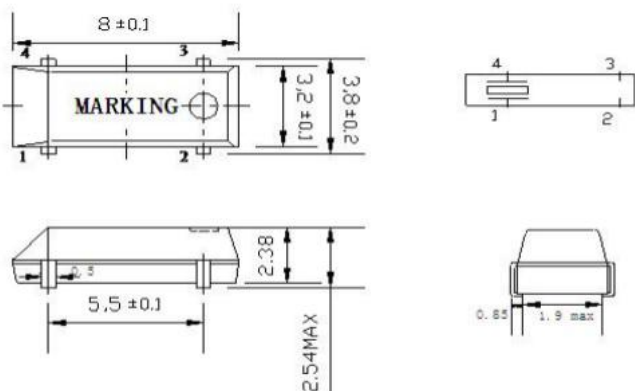
- Application: small portable communication equipment ;
- Contains Pb in sealing glass exempted by RoHS directive;

### Crystals specifications

ITEMS (项目)	PARAMETER (规格说明) MC306
Frequency Range	32.768KHZ
Equivalent Series Resistance	50KΩMax.
Drive Level	1.0μWMax
Frequency Tolerance (at 25 °C)	± 10 ppm, ± 20 ppm, or specify
The inflection point temperature	+25°C± 5°C
Frequency temperature coefficient	-0.04 × 10 <sup>-6</sup> / °C <sup>2</sup> Max.
Operating Temperature Range	-40 ~ +85 °C, or specify
Insulation Resistance	500MΩmin./DC100V
Shunt Capacitance (C0)	0.8pF TYP
Load Capacitance	12.5 pF, or specify
Aging (at 25 °C)	± 3 ppm / year Max.
Storage Temperature Range	-20~+70°C, or specify
Packing Unit(包装单位)	3,000pcs/Reel

### Dimensions

#### Dimensions(unit: mm)



Do not connect #2 and #3 to external device.

Metal may be exposed on the top or bottom of this product. This won't affect any quality, reliability or electrical spec.

### Recommended soldering pattern (unit: mm)

