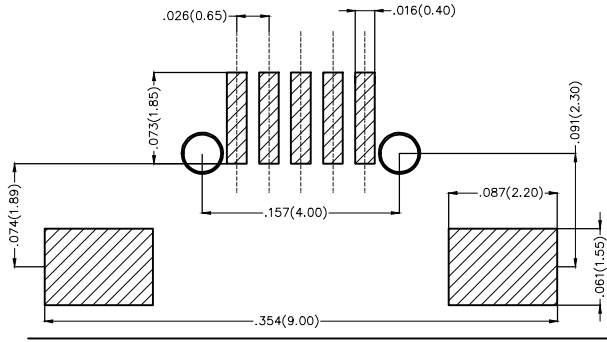
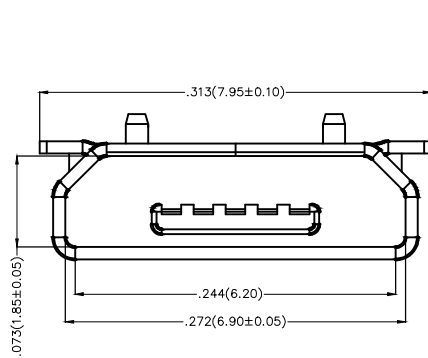
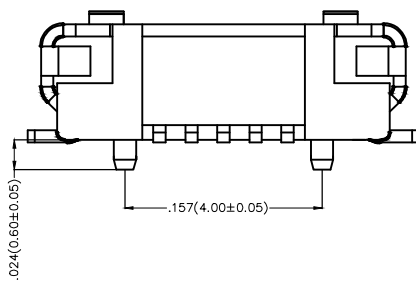
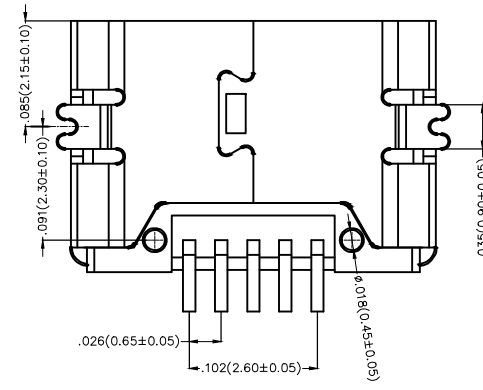
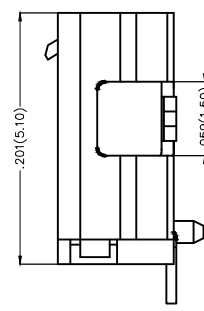
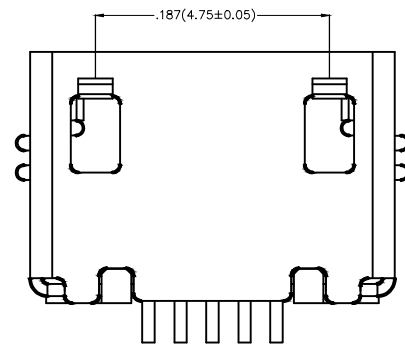


REV	LOCATIONS	DESCRIPTION	DATE	REVISER	APPD

SPECIFICATIONS
Electrical
 Current Rating: 1.0A AC(rms)/DC
 Voltage Rating: 30V AC(rms)/DC
 Contact Resistance: 30 m Ω Max
 Insulation Resistance: 100 M Ω MIN
 Withstanding Voltage: 100V AC r.m.s
 Operating Temperature: -30°C ~ +80°C
Material
 Housing: LCP,UL 94V-0
 Contact: Copper Alloy/Gold Plated
 Shell: SUS / Nickel Plated



Recommended P.C.Board Layout



 THIRD ANGLE PROJECTION	GENERAL TOLERANCES (UNLESS SPECIFIED)		APPROVE BY	DATE	PART NO.	ITEM NO.	 Leader Of Industry
	X.±.012(0.30)	X.±5'	FRANK	16/JUN/17	FUS449-FSBK6M	FUS449	
DESIGN UNITS Inch (metric)	X.X±.008(0.20)	.X'±2'	CHECKED BY	DATE	TITLE		REV 0 SHEET NO. 1/1
SCALE	X.XX±.006(0.15)	.XX'±1'	CHERRY	16/JUN/17	Micro USB 5Circuits 90°Angle Female(SMT)		
SIZE	X.XXX±.004(0.10)	.XXX'±0.5'	DRAWN BY	DATE	THIS DRAWING CONTAINS INFORMATION THAT IS PROPRIETARY TO TXGA INDUSTRIAL ELECTRONICS(S.Z)CO.,LTD AND SHOULD NOT BE USED WITHOUT WRITTEN PERMISSION		
5:1	A4		LXF	16/JUN/17			