

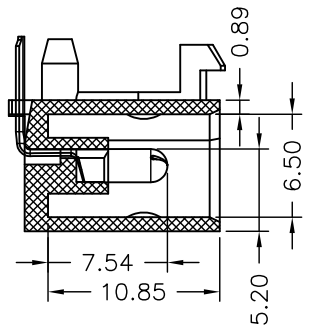
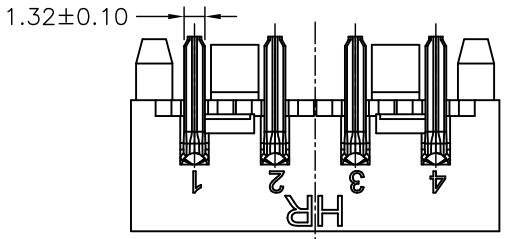
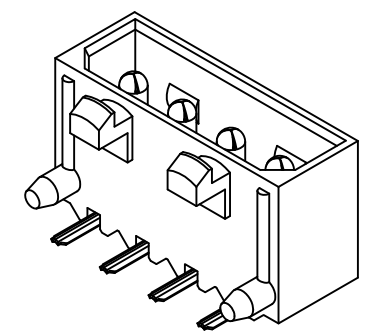
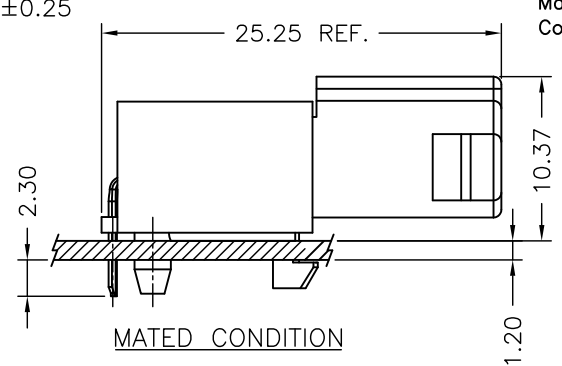
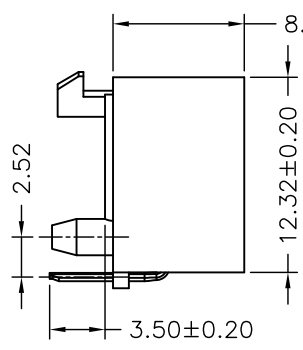
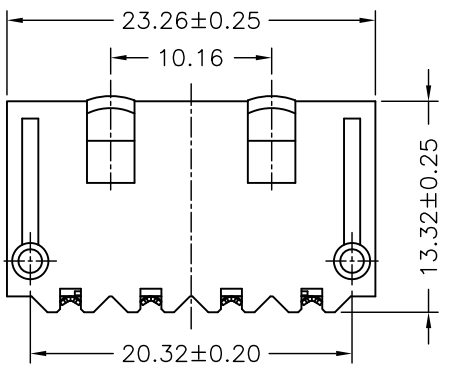
Ordering code


**C5080 WR-F-04P R**

① ② ③ ④ ⑤

① Series No.  
 ② Connector type: WR=Right angle  
 ③ F=With Peg  
 ④ No. of circuits  
 ⑤ Option code:  
 Blank=Nylon66,V-2,Natural(Translucent)

**SPECIFICATIONS**  
 Current Rating: 10A AC,DC  
 Voltage Rating: 250V AC,DC  
 Temperature Range: -25°C ~ +85°C  
 Contact Resistance: 10mΩ Max  
 Insulation Resistance: 1000MΩ Min  
 Withstanding Voltage: 1500V AC/minute  
 Pin Material: Brass/Tin-plated  
 Material: Nylon 6T,UL94V-2  
 Color: Natural(Translucent)



						燦達電子工業股份有限公司 JOINT TECH ELECTRONIC IND. CO., LTD.	
UNIT	SCALE	SHEET	TITLE:				
mm		1 of 1	P/N:C5080WR-F-04P				
DRAWN BY	APPROVED BY		5.08mm PITCH				
歐陽小強	董正一		90° WAFER				
2007.04.25	2007.04.25		DRAW NO. :				
GENERAL TOLERANCE			C5080WR-F-04P				
A1	EN1107280313	2011.07.28	肖勇	X.X±0.25	ANGLE±		A1
A0	NEW RELEASE	2007.04.25	董正一	X.XX±0.15			
REV.	DESCRIPTION	DATE	NAME	X.XXX±0.05			