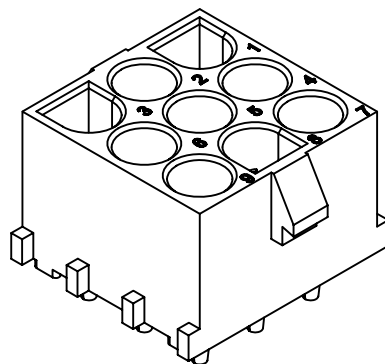


P.C.B LAYOUT



P/N LEGEND

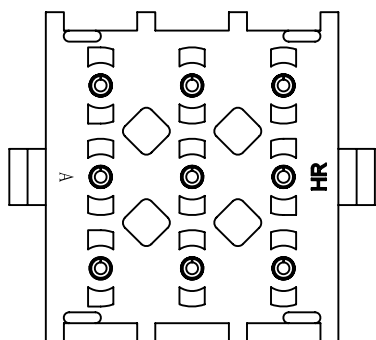
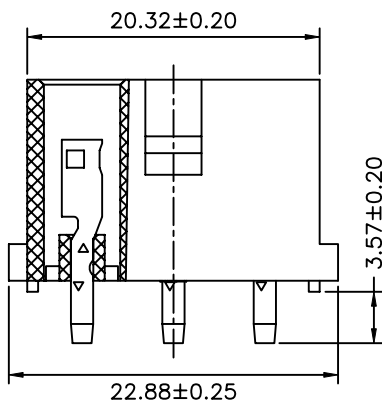
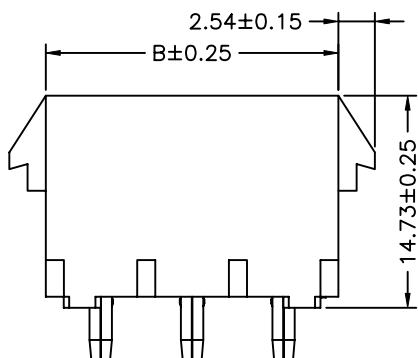
C6350	WV-3XNP	FV2
①	②	④
① Series No.	② Connector type: WV=Vertical	③ No. of circuits
④ FV2=F type, Nylon 66,UL94V-2, Translucent		


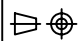
SPECIFICATIONS

Current Rating: 15A AC,DC
 Voltage Rating: 600V AC,DC
 Temperature Range: -25°C ~ +85°C
 Contact Resistance: 3.5mΩ Max
 Insulation Resistance: 1000MΩ Min
 Withstanding Voltage: 2900V AC/minute
 Pin Material: Brass/Tin-plated
 Material: Nylon 66,UL94V-2
 Color: Translucent

Ordering Information & Dimensions

PART NO.	Dimensions	
	A	B
C6350WV-3X02PFV2	6.35	13.97
C6350WV-3X03PFV2	12.70	20.32
C6350WV-3X04PFV2	19.05	26.67
C6350WV-3X05PFV2	25.40	33.02



 燦達電子工業股份有限公司 JOINT TECH ELECTRONIC IND. CO., LTD.					
UNIT	SCALE	SHEET	TITLE:		
mm	1 : 1	1 of 1	6.35mm PITCH 180° TRIPLE ROW WAFER, FEMALE TYPE		
DRAWN BY	APPROVED BY				
李勤	董正一				
2006.02.25	2006.02.25				
A2	EN1703020002	2017.03.13	賴永強	GENERAL TOLERANCE	
A1	REVISE	2007.09.14	歐陽小強	X.X±0.25	ANGLE±
A0	NEW RELEASE	2006.02.25	李勤	X.XX±0.15	
REV.	DESCRIPTION	DATE	NAME	X.XXX±0.05	
				DRAW NO. :	REV. A2
				C6350WV-3XNPFV2	