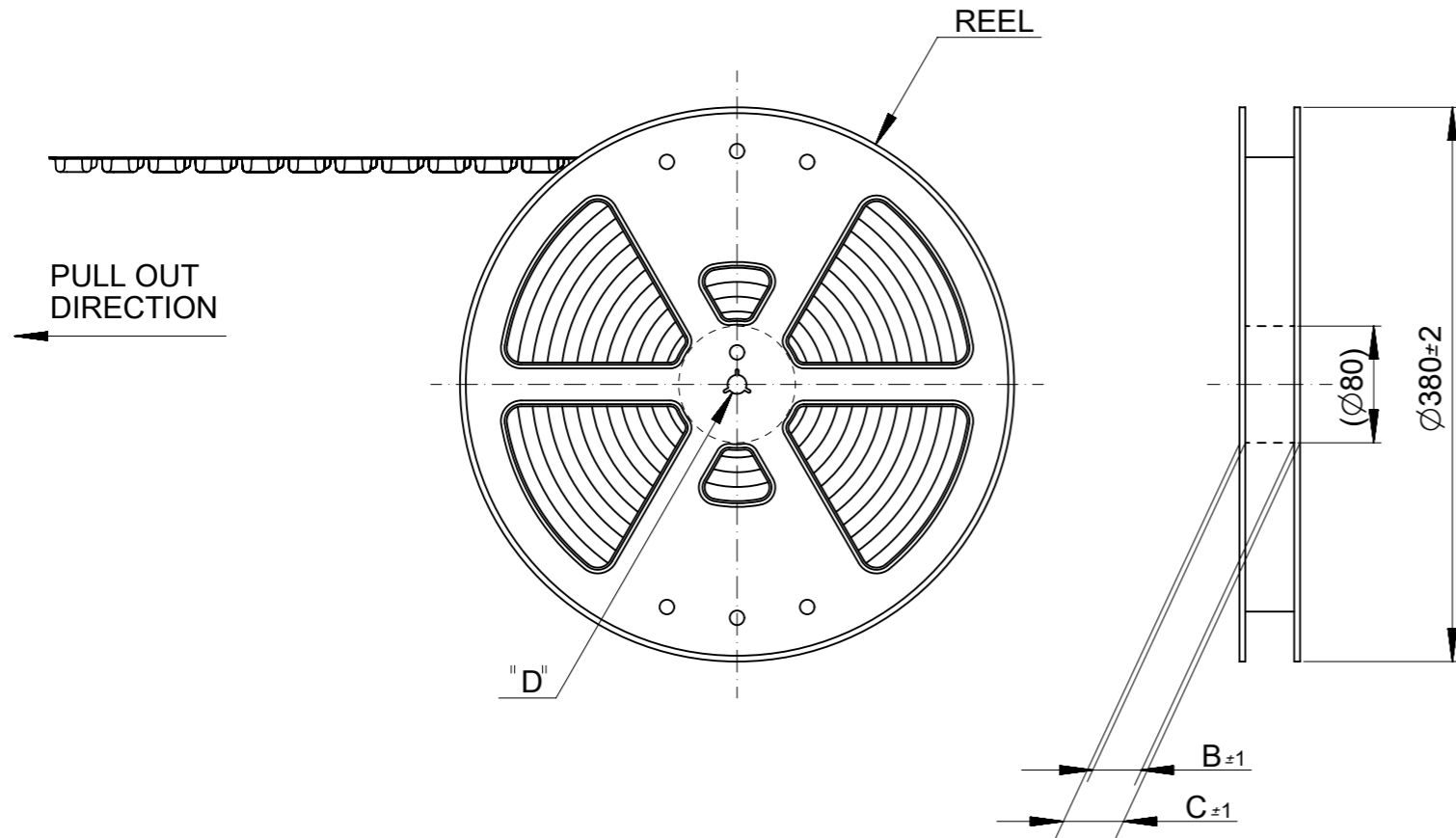
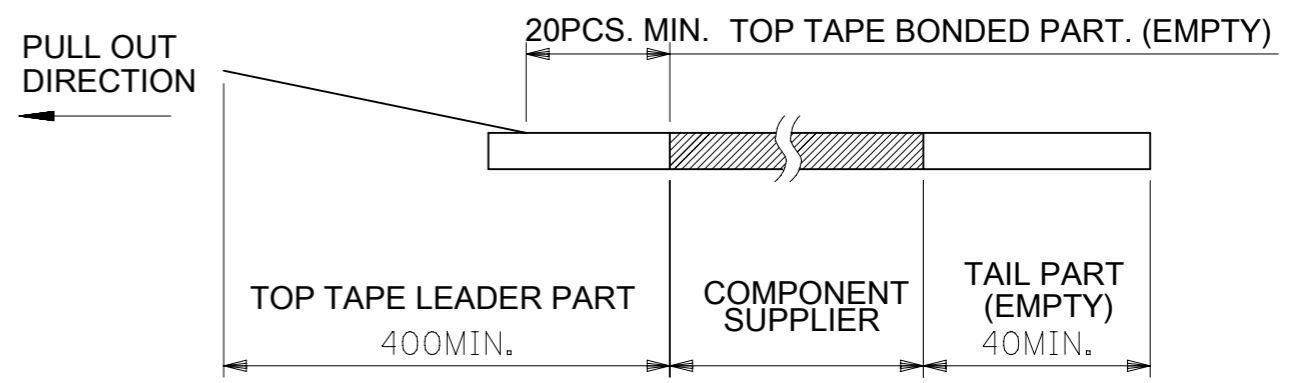


E

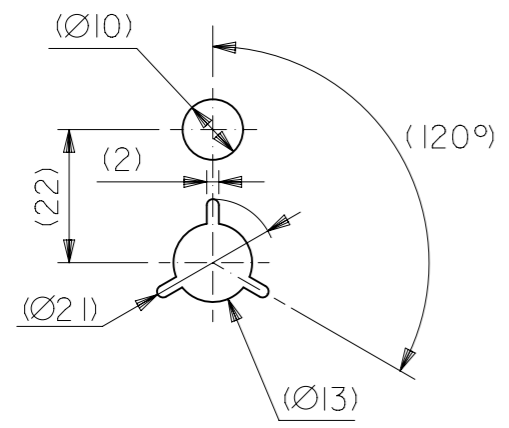


NOTES

1. DETAIL DIMENSIONS, SEE PRODUCT DRAWING.
2. NUMBER OF CONNECTORS : 8000PCS/REEL
3. LEAD TAPE LENGTH



4. TOP TAPE PEEL FORCE IS DEFINED BY IEC60286-3.
5. MATERIAL
 CARRIER TAPE : POLYSTYRENE
 TOP TAPE : PET , OTHER
 REEL : POLYSTYRENE (PS) <RECYCLE MATERIAL CONTAINED>



DETAIL "D"

MODEL NO. 504622-**12

THIS DRAWING CONTAINS INFORMATION THAT IS PROPRIETARY TO MOLEX ELECTRONIC TECHNOLOGIES, LLC AND SHOULD NOT BE USED WITHOUT WRITTEN PERMISSION											
RELEASED	EC NO: 115186	2017/03/29	GENERAL TOLERANCES (UNLESS SPECIFIED)		DIMENSION UNITS	SCALE	molex [®]				
	DRWN: TNISHIDA02	2017/03/31	ANGULAR TOL ± °		MM	1:5					
	CHK'D: KTANAKA03	2017/04/03	4 PLACES ±	DRWN BY	DATE	0.35 BB CONN. H=0.6 SSB6 PLUG ASSY EMBSTP PKG					
	REV APPR: TKUSUHARA01		3 PLACES ±	TNISHIDA02	2017/03/29						
			2 PLACES ±	CHK'D BY	DATE	PRODUCT CUSTOMER DRAWING					
			1 PLACE ±	KTANAKA03	2017/03/31						
		0 PLACES ±	APPR BY	DATE	SERIES MATERIAL NUMBER CUSTOMER						
			TKUSUHARA01	2017/04/03				504622 SEE CHART GENERAL			
			DRAFT WHERE APPLICABLE MUST REMAIN WITHIN DIMENSIONS		DRAWING SIZE	THIRD ANGLE PROJECTION	DOCUMENT NUMBER		DOC TYPE	DOC PART	SHEET NUMBER
A					A3		5046220000	PSD	004	1 OF 3	

A

A

B

B

C

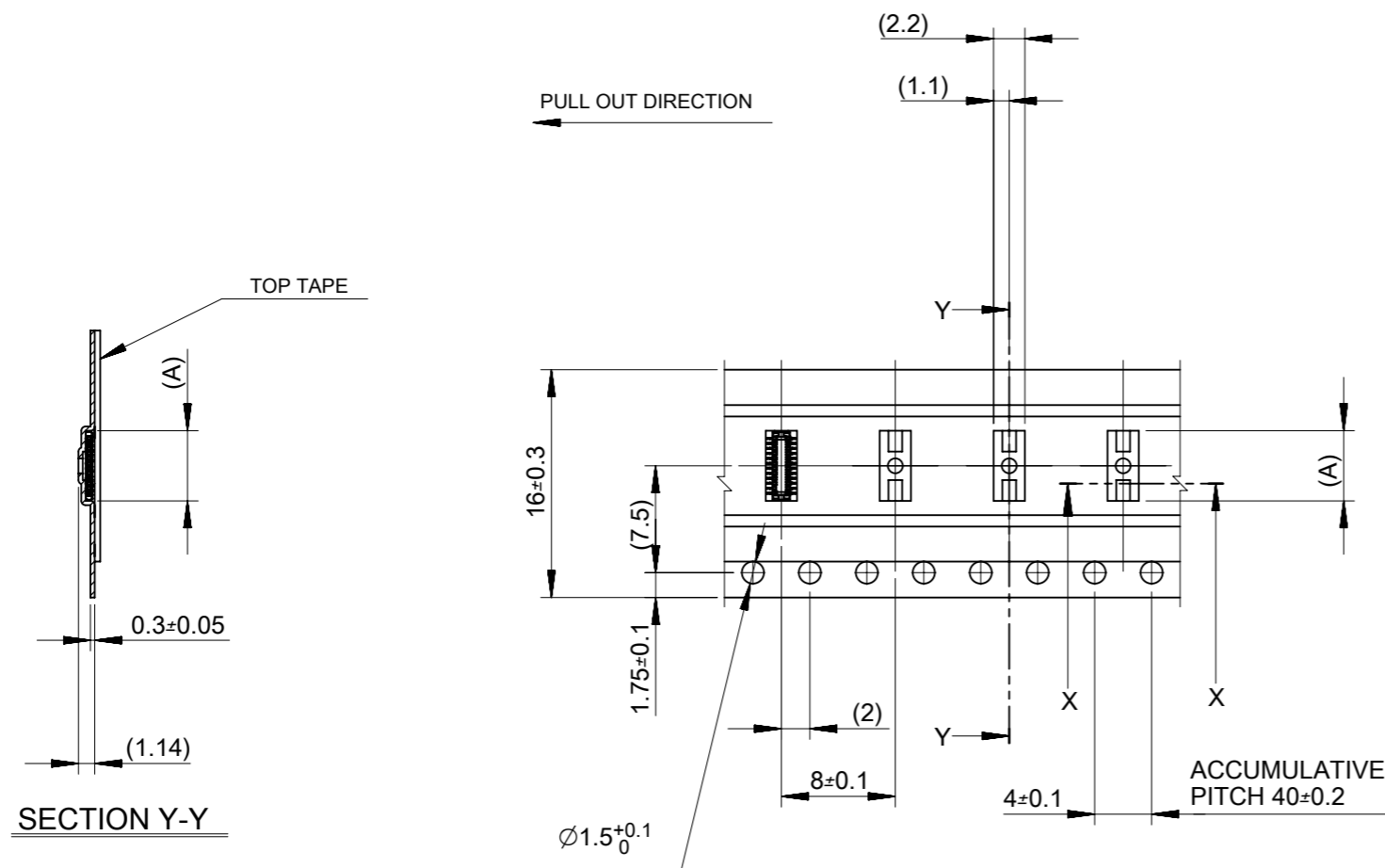
C

D

D

E

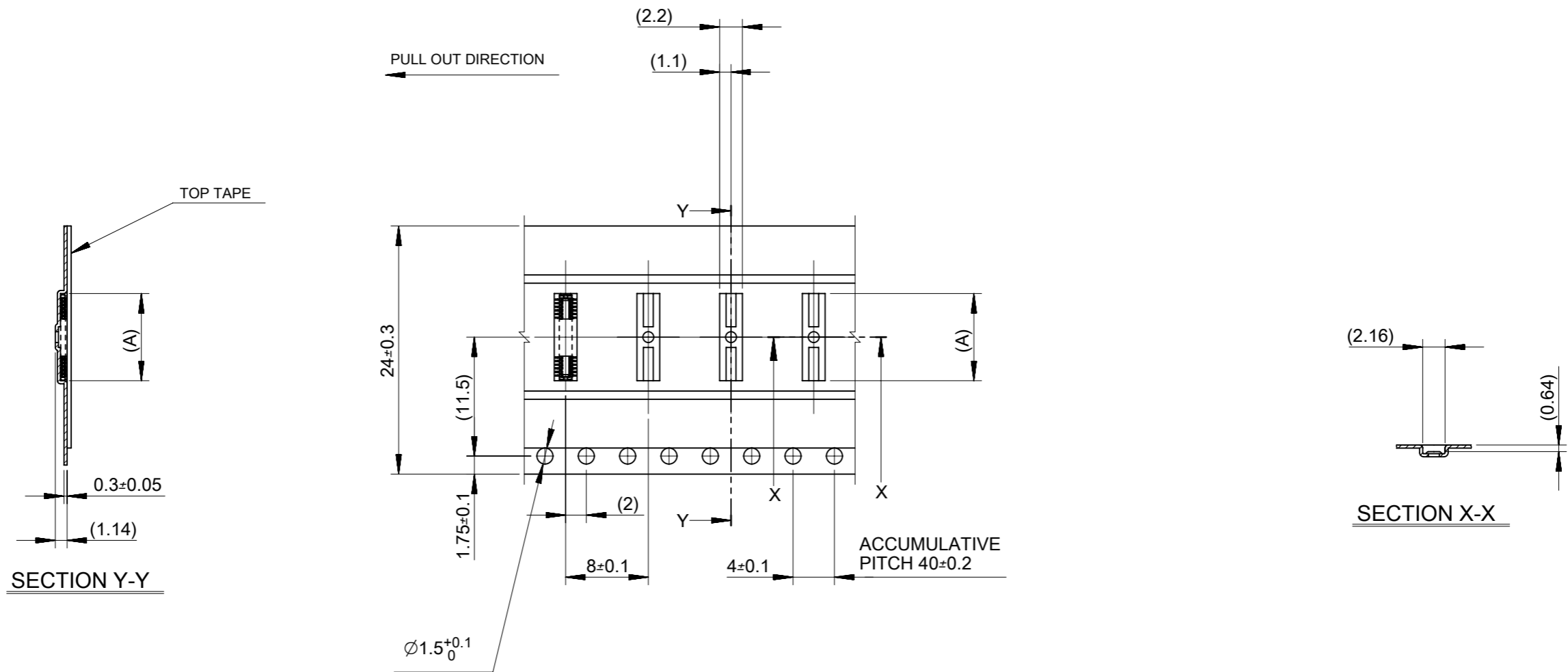
E



16	21.4	17.4	6.68	504622-3012	○	---	30	
			5.63	504622-2412	○	---	24	
			4.93	504622-2012	○	---	20	
			4.58	---	---	---	18	
			4.23	---	---	---	16	
			3.53	---	---	---	12	
			3.18	504622-1012	○	---	10	
			2.48	---	---	---	6	
キャリアテープ幅 CARRIER TAPE WIDTH		C	B	(A)	EMBOSSED TAPE PACKAGE	HIGH VOL. TOOL	LOW VOL. TOOL	CIRCUIT
					ORDER NO.	SAMPLE PREPARATION ○ : TOOLED △ : WORK IN PROCESS --- : TOOLING TO BE CONFIRMED		
CONNECTOR SERIES No.:504622-**09								

THIS DRAWING CONTAINS INFORMATION THAT IS PROPRIETARY TO MOLEX ELECTRONIC TECHNOLOGIES, LLC AND SHOULD NOT BE USED WITHOUT WRITTEN PERMISSION

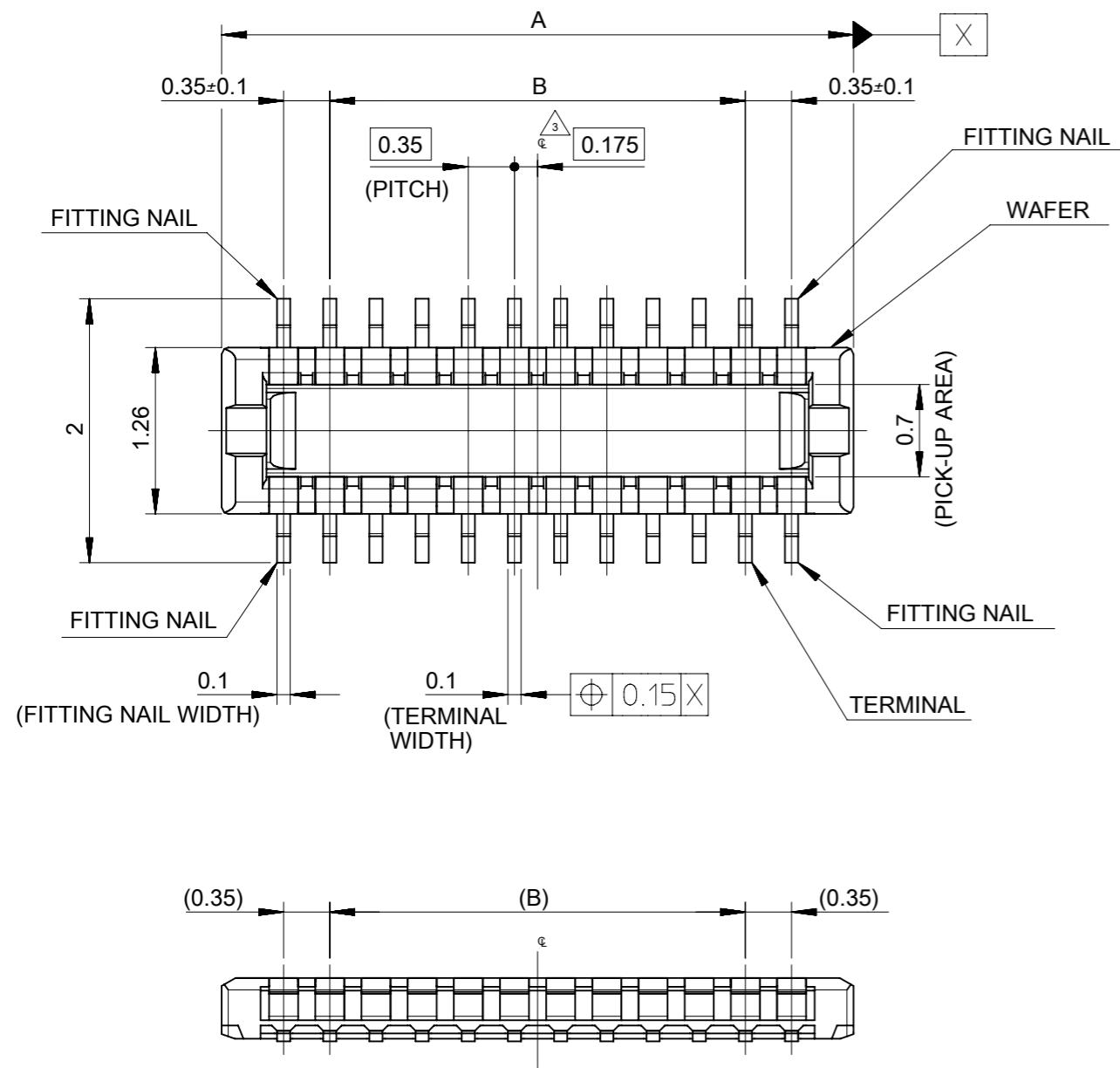
EC NO: 115186 DRWN: TNISHIDA02 CHK'D: KTANAKA03 APPR: TKUSUHARA01	2017/03/29	2017/03/31	2017/04/03	GENERAL TOLERANCES (UNLESS SPECIFIED) ANGULAR TOL ± ° 4 PLACES ± 3 PLACES ± 2 PLACES ± 1 PLACE ± 0 PLACES ± DRAFT WHERE APPLICABLE MUST REMAIN WITHIN DIMENSIONS	DIMENSION UNITS	SCALE				
	RELEASED				MM	2:1				
					DRWN BY	DATE	0.35 BB CONN. H=0.6 SSB6 PLUG ASSY EMBSTP PKG			
					TNISHIDA02	2017/03/29				
					CHK'D BY	DATE	PRODUCT CUSTOMER DRAWING			
					KTANAKA03	2017/03/31				
				APPR BY	DATE	SERIES	MATERIAL NUMBER	CUSTOMER		
				TKUSUHARA01	2017/04/03	504622	SEE CHART	GENERAL		
				DRAWING SIZE	THIRD ANGLE PROJECTION	DOCUMENT NUMBER				
				A3		5046220000				
						DOC TYPE	DOC PART	SHEET NUMBER		
						PSD	004	2 OF 3		



24	29.4	25.4	13.68	504622-7012	○	---	70			
			12.63	504622-6412	○	---	64			
			11.93	---	---	---	60			
			11.58	---	---	---	58			
			10.88	---	---	---	54			
			10.18	504622-5012	○	---	50			
			9.83	---	---	---	48			
			8.78	---	---	---	42			
			8.43	504622-4012	○	---	40			
			8.08	---	---	---	38			
			7.38	504622-3412	○	---	34			
キャリアテープ幅 CARRIER TAPE WIDTH			C	B	(A)	EMBOSSED TAPE PACKAGE	HIGH VOL. TOOL	LOW VOL. TOOL	CIRCUIT	
ORDER NO.			SAMPLE PREPARATION ○ : TOOLED △ : WORK IN PROCESS --- : TOOLING TO BE CONFIRMED							
CONNECTOR SERIES No.:504622-**09										

THIS DRAWING CONTAINS INFORMATION THAT IS PROPRIETARY TO MOLEX ELECTRONIC TECHNOLOGIES, LLC AND SHOULD NOT BE USED WITHOUT WRITTEN PERMISSION

EC NO: 115186 DRWN: TNISHIDA02 CHK'D: KTANAKA03 APPR: TKUSUHARA01	2017/03/29	2017/03/31	2017/04/03	GENERAL TOLERANCES (UNLESS SPECIFIED) ANGULAR TOL ± ° 4 PLACES ± 3 PLACES ± 2 PLACES ± 1 PLACE ± 0 PLACES ± DRAFT WHERE APPLICABLE MUST REMAIN WITHIN DIMENSIONS	DIMENSION UNITS	SCALE	
	RELEASED				MM	2:1	
	DRWN BY	DATE			TNISHIDA02	2017/03/29	
	CHK'D BY	DATE			KTANAKA03	2017/03/31	
	APPR BY	DATE			TKUSUHARA01	2017/04/03	
	DRAWING SIZE	THIRD ANGLE PROJECTION			A3		
PRODUCT CUSTOMER DRAWING 0.35 BB CONN. H=0.6 SSB6 PLUG ASSY EMBSTP PKG							
SERIES	MATERIAL NUMBER	CUSTOMER					
504622	SEE CHART	GENERAL					
DOCUMENT NUMBER			DOC TYPE	DOC PART	SHEET NUMBER		
5046220000			PSD	004	3 OF 3		



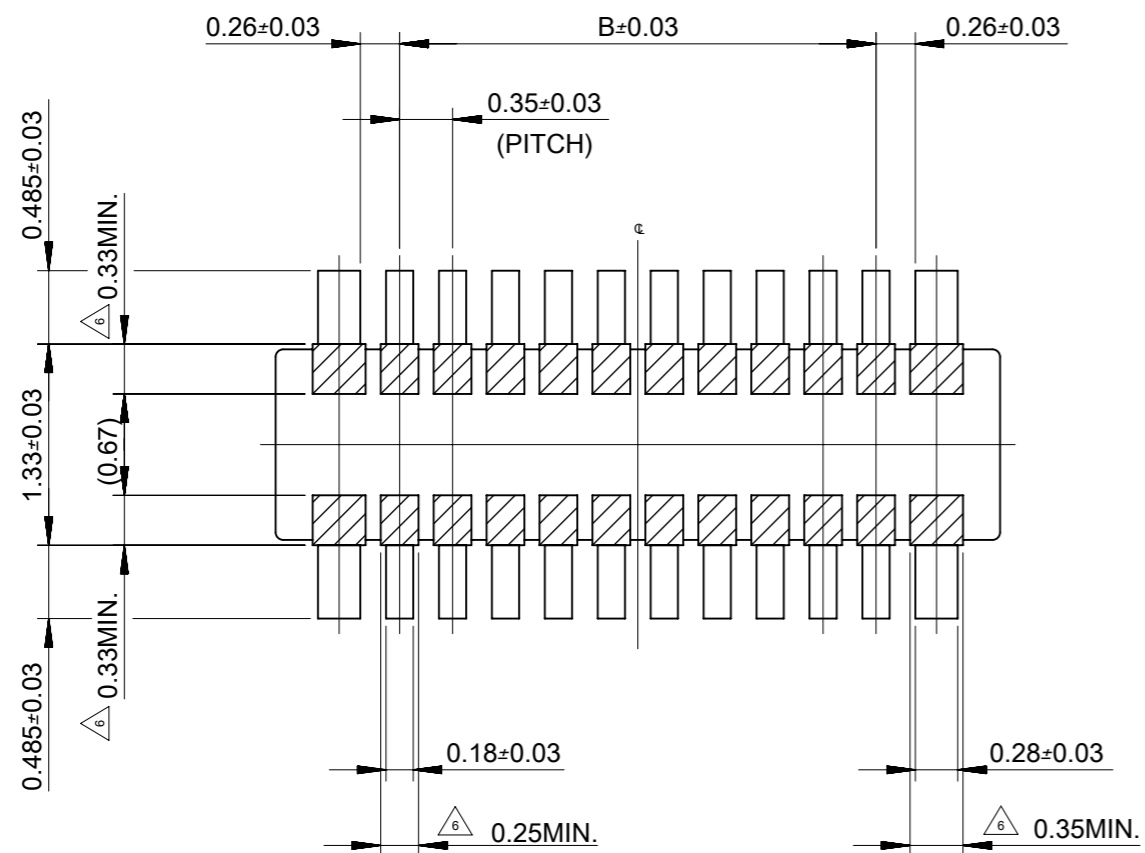
B	A	EMBOSSED TAPE PACKAGE	HIGH VOL. TOOL	LOW VOL. TOOL	CIRCUIT
		ORDER NO.	SAMPLE PREPARATION ○ : TOOLED △ : WORK IN PROCESS --- : TOOLING TO BE CONFIRMED		
CONNECTOR SERIES No. : 504622-**09					

NOTES

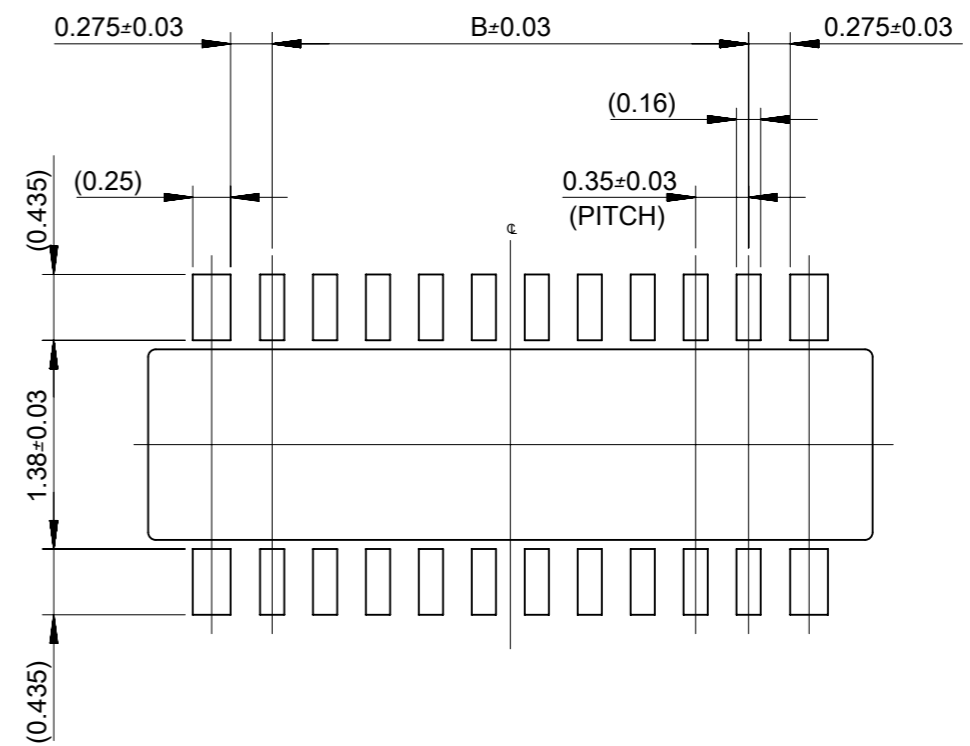
- MATERIAL**
 WAFER : LIQUID CRYSTAL POLYMER UL94V-0(COLOR : BLACK)
 PIN : COPPER ALLOY
 FITTING NAIL : COPPER ALLOY
- PLATING**
TERMINAL
 GOLD
 UNDER PLATING : NICKEL
 *DIVIDE INTO PARTS THE GOLD PLATING OF THE CONTACT AND THE TAIL PART BY THE NICKEL PLATING.
FITTING NAIL
 GOLD
 UNDER PLATING : NICKEL
 △ APPLY FOR (CIRCUIT/2)=EVEN.
- MATE WITH : 504618-**12**
- TAIL AND FITTING NAIL COPLANARITY TO BE 0.08MAXIMUM.**
- PROHIBITED AREA OF PATTERN WIRING AND SOLDER.**
 (FOR EACH AREA, THE WIRING THAT TOUCHES ON THE SOLDER CAN BE ATTACHED, THEN COVERED WITH A FILM TO KEEP SOLDER OUT.)
- ELECTRIC SPEC OF FITTING NAIL IS NOT GUARANTEED WHEN MATED.**

THIS DRAWING CONTAINS INFORMATION THAT IS PROPRIETARY TO MOLEX ELECTRONIC TECHNOLOGIES, LLC AND SHOULD NOT BE USED WITHOUT WRITTEN PERMISSION

EC NO: 115186 DRWN: TNISHIDA02 CHK'D: KTANAKA03 APPR: TKUSUHARA01	2017/03/29 2017/03/31 2017/04/03	GENERAL TOLERANCES (UNLESS SPECIFIED) ANGULAR TOL ± 1.0 ° 4 PLACES ± 0.2 3 PLACES ± 0.2 2 PLACES ± 0.2 1 PLACE ± 0.2 0 PLACES ± 0.2	DIMENSION UNITS: MM SCALE: 20:1	<p>0.35 BB CONN. H=0.6 SSB6 PLUG ASSY</p> <p>PRODUCT CUSTOMER DRAWING</p>	
	DRWN BY: TNISHIDA02 DATE: 2017/03/29	CHK'D BY: KTANAKA03 DATE: 2017/03/31	APPR BY: TKUSUHARA01 DATE: 2017/04/03		DRAWING SIZE: A3 THIRD ANGLE PROJECTION
	SERIES: 504622	MATERIAL NUMBER: SEE CHART	CUSTOMER: GENERAL		DOCUMENT NUMBER: 5046221000
	DOC TYPE: PSD	DOC PART: 003	SHEET NUMBER: 1 OF 2		

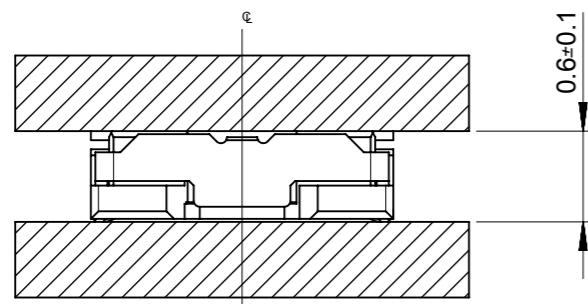


RECOMMENDED P.W.BOARD PATTERN LAYOUT(REFERENCE)



RECOMMENDED METAL MASK LAYOUT(REFERENCE)

RECOMMENDED THICKNESS OF METAL MASK : $t=0.08\text{mm}$
 RECOMMENDED OPEN APERTURE RATIO OF METAL MASK : 80%



MATED CONDITION

THIS DRAWING CONTAINS INFORMATION THAT IS PROPRIETARY TO MOLEX ELECTRONIC TECHNOLOGIES, LLC AND SHOULD NOT BE USED WITHOUT WRITTEN PERMISSION

EC NO: 115186 DRWN: TNISHIDA02 CHK'D: KTANAKA03 APPR: TKUSUHARA01	2017/03/29 2017/03/31 2017/04/03	GENERAL TOLERANCES (UNLESS SPECIFIED) ANGULAR TOL ± 1.0 °	DIMENSION UNITS: MM SCALE: 20:1			
	4 PLACES ± 0.2 3 PLACES ± 0.2 2 PLACES ± 0.2 1 PLACE ± 0.2 0 PLACES ± 0.2	DRWN BY: TNISHIDA02 DATE: 2017/03/29	DRWN BY: TNISHIDA02 DATE: 2017/03/29			
	DRAFT WHERE APPLICABLE MUST REMAIN WITHIN DIMENSIONS	CHK'D BY: KTANAKA03 DATE: 2017/03/31	CHK'D BY: KTANAKA03 DATE: 2017/03/31	PRODUCT CUSTOMER DRAWING		
		APPR BY: TKUSUHARA01 DATE: 2017/04/03	APPR BY: TKUSUHARA01 DATE: 2017/04/03			
	A	REV	A3	THIRD ANGLE PROJECTION		