

承 认 书

SPECIFICATION FOR APPROVAL

客户 (CUSTOMER): _____

产品名称 (PRODUCT NAME): 贴片式蜂鸣器 (外部驱动)

型号 (TYPE): YS-SBZ1230

客户料号 (CUSTOMER NO) _____

日期 (DATE): 2019-07-18

客户确认: (签章)
日期:

东 莞 市 锋 鸣 电 子 有 限 公 司

电话: 0769-88036425

传真: 0769-85474556

制单: 李琳

业务: 宋浩亮

工程: 黄鑫

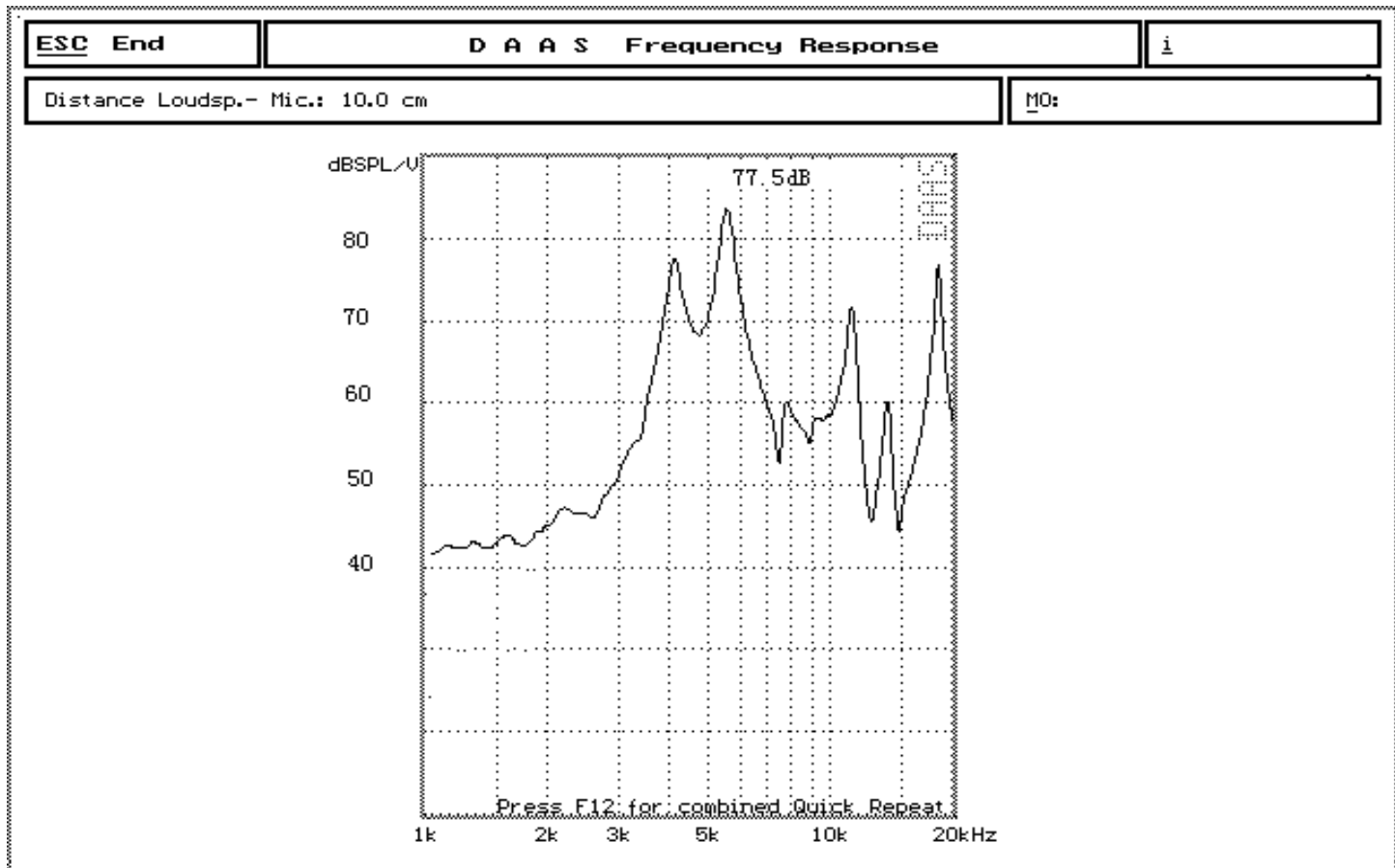
FENGMING TECH OF DONGGUAN CO.,LTD

YS-SBZ1230

1 . Electrical Characteristics

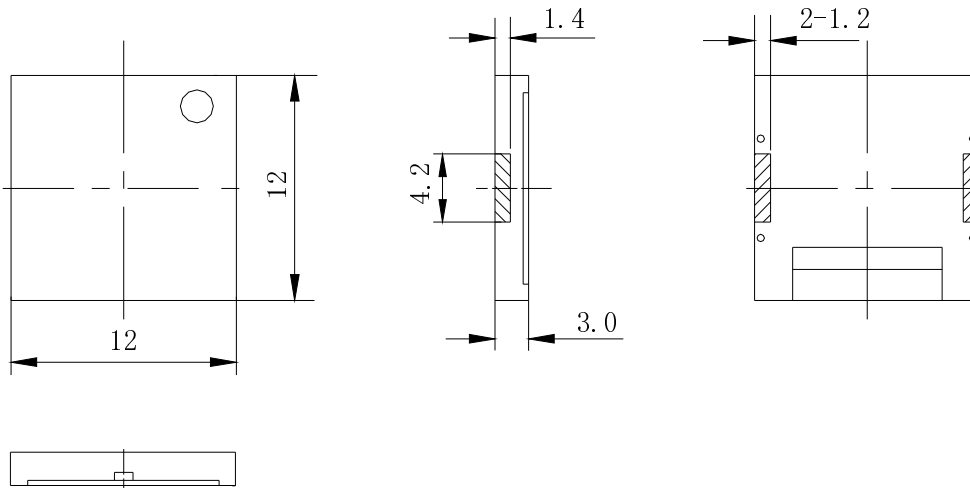
Operating Voltage	Max20Vp-p
Current Consumption	Max 1mA at 3Vp-p/Square Wave/4.0KHz
Sound Pressure Level	Min 80dB at 10cm/ 3Vp-p/Square Wave/4.0KHz
Electrostatic Capacity	16000±30%pF at 1 KHz/1V
Operating Temperature (°C)	-30~ +85
Storage Temperature (°C)	-40 ~ +90
Dimension	L12×W12×H3.0mm

2 . Typical Frequency Response Curve



3 . Dimensions and Material

3-1 Shape



Unit: mm Tol: ± 0.3

3-2 Material

Housing	LCP plastic resin (Color : Black)
Terminal	SMD Type
Weight (Gram)	0.35

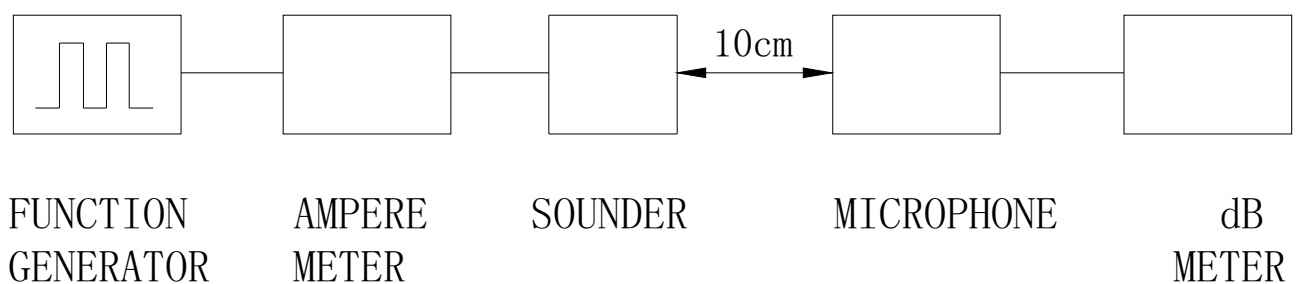
4. TESTING METHOD

• *Standard Measurement conditions*

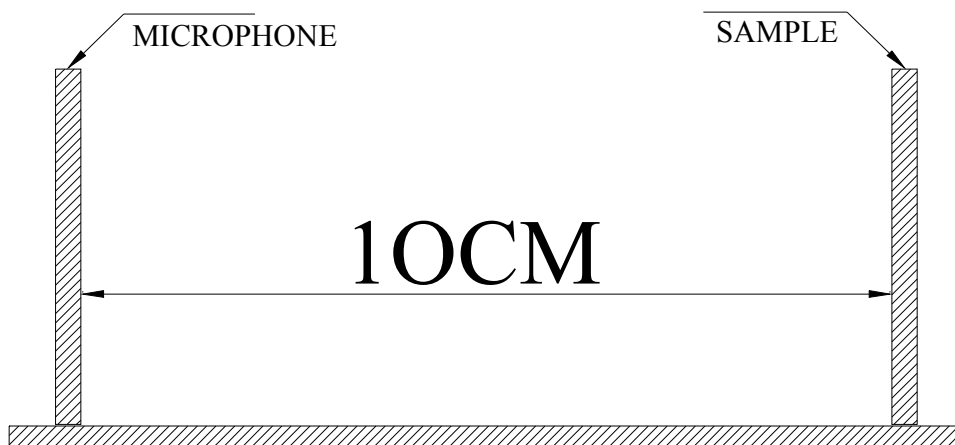
Temperature: 25 ± 2 °C Humidity: 45-60%

• *Acoustic Characteristics*

The oscillation frequency, current consumption and sound pressure are measured by the measuring instruments shown below.



In the measuring test, buzzer is placed as follows:



5. RELIABILITY

ITEMS	METHOD OF TEST AND MEASUREMENTS	PERFORMANCE
<i>Coldness withstanding</i>	<i>After 98 hours of being exposed to -30 °C environment, should be returned to normal environment for 2 hours, then re-proceed to test.</i>	<i>No abnormality shall exist</i>
<i>Hotness withstanding</i>	<i>After 98 hours of being exposed to +100 °C environment, should be returned to normal environment for 2 hours, then re-proceed to test.</i>	<i>No abnormality shall exist</i>
<i>Humidity withstanding</i>	<i>After 98 hours of being exposed to 40 °C 95%RH environment in actual operation, should be returned to normal environment for 2 hours, then re-proceed to test.</i>	<i>No abnormality shall exist</i>
<i>Durability</i>	<i>Testing after 1,000 hours actual continuous operation.(at standard measurement conditions)</i>	<i>No abnormality shall exist</i>
<i>Drop withstanding</i>	<i>A natural drop from 75cm high down to the ground.</i>	<i>No abnormality shall exist</i>
<i>Vibration withstanding</i>	<i>Vibration of 2,000 cycles per minute, 2mm amplitude, applied in X, Y and Z directions for 30 minutes each.</i>	<i>No abnormality shall exist</i>

6.Soldering Condition

(1) *Recommendable reflow soldering condition is as follows
(Reflow soldering is twice)*

*Note:It is requested that reflow soldering should be executed
after heat of product goes down to normal.*

