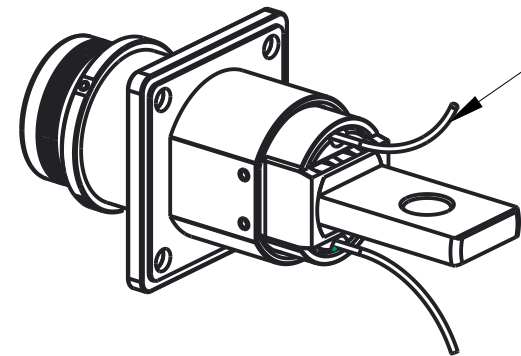


REV. A	SHEET 1 OF 1	DOCUMENT NO. () 0-747916-()
REVISIONS		
REV	DESCRIPTION	DATE
A	INITIAL RELEASE	2017-03-22

GENERAL TOLERANCE

DIM. RANGE	0.5 ~ 3	> 3 ~ 6	> 6 ~ 30	> 30 ~ 120	> 120 ~ 400
TOLERANCE	±0.1	±0.1	±0.2	±0.3	±0.5

CUSTOMER DRAWING



20AWG WIRE

KEYWAY RING

2.5

23.5

10.5

4x Ø3.1

Ø23

Ø14

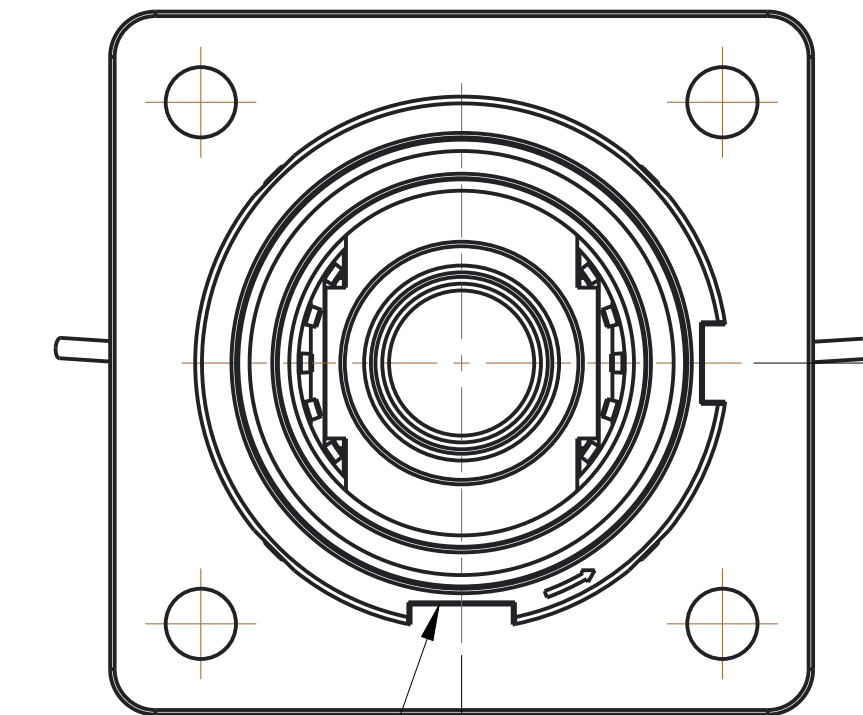
Ø6.3 THRU

23

31

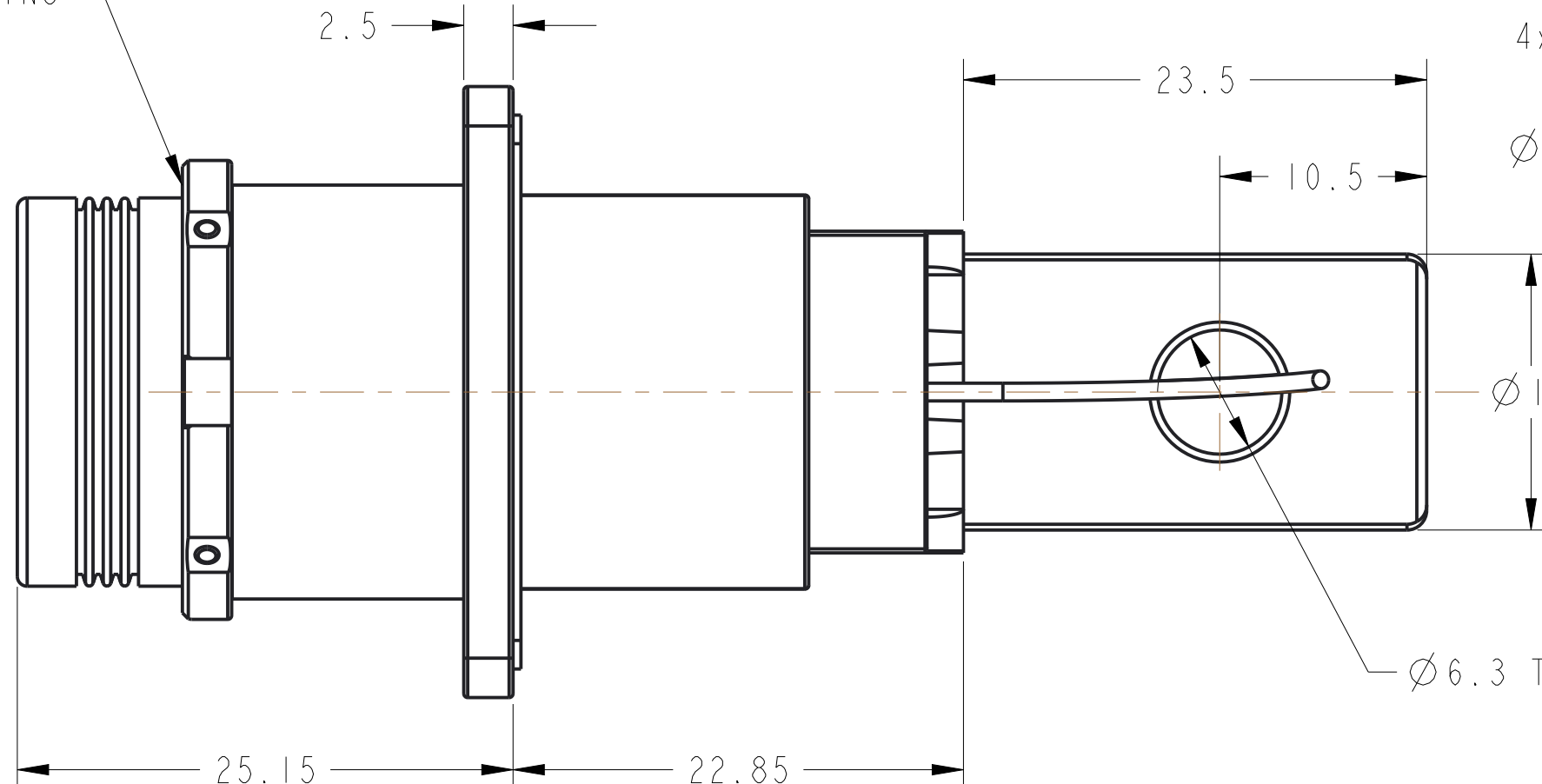
23

31



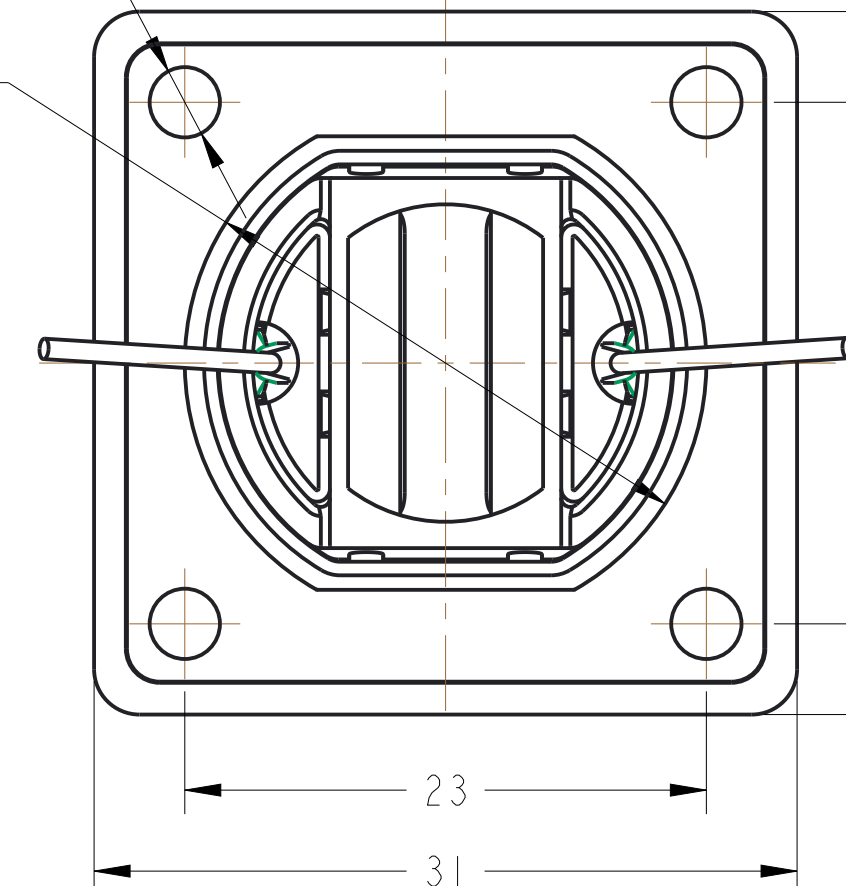
MASTER KEYWAY

SEE P/N LIST
COUNTER CLOCKWISE



25.15

22.85



23±0.1

4x Ø3.2±0.1

Ø23.3±0.1

23±0.1

MFG PART NUMBER:

() () 0-747916-() () () ()

TYPE OPTION

C-WITH HVIL
N-WITHOUT HVIL

TYPE OF CONNECTOR

1-KEYWAY RING CAN BE ROTATED
2-KEYWAY RING CAN NOT BE ROTATED

COLOR OF FINGER
PROOF HEAD

1-ORANGE
2-BLACK
3-RED

PIN TYPE

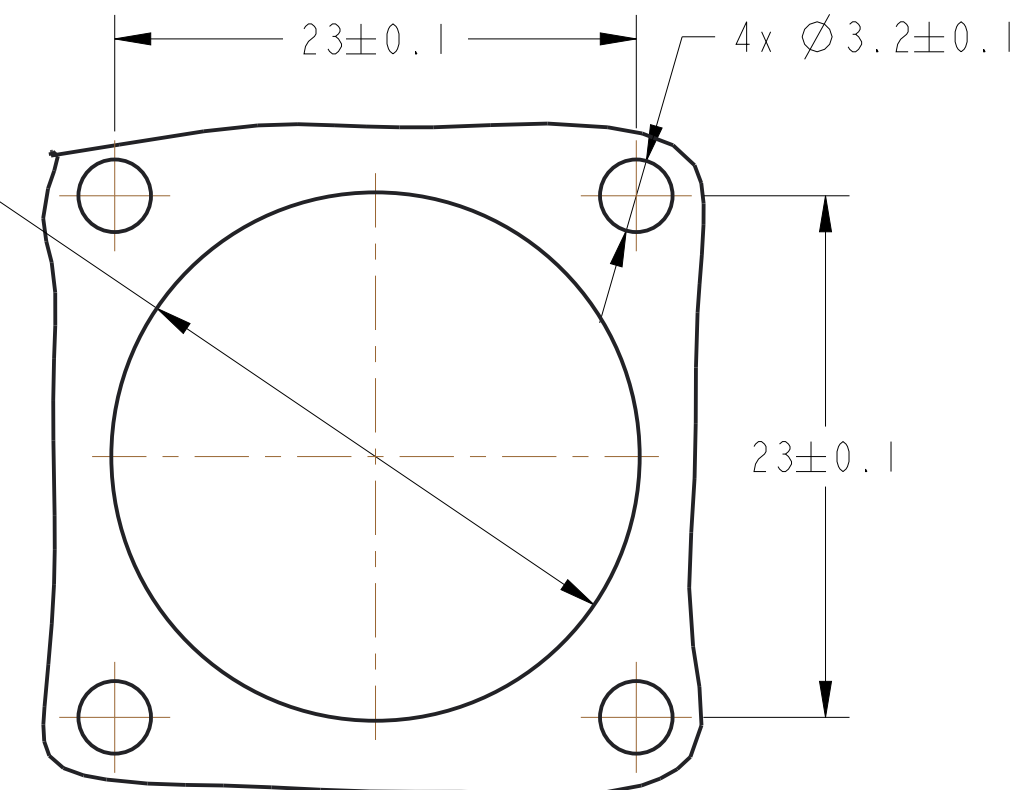
1-BUSBAR

KEYWAY OPTION (Y°)

0-90°
1-270°
2-60°
3-120°
4-150°

SEALING

0-IP67(MATED)
1-NO SEALING



PANEL CUT-OUT FOR REFERENCE



SPECIFICATIONS

CURRENT RATING	250 Amps MAX
OPERATING VOLTAGE	1000V DC/AC
OPERATING TEMPERATURE	-40°C-125°C
PROTECTION CLASS	IP67 (MATED)

2. FOR CX0-747916-XXXX,WIRE SIZE OF HVIL CONTACT: 20AWG,L=50cm.

1. THE REFERENCED PRODUCT IS IN COMPLIANCE WITH THE MAXIMUM CONCENTRATION VALUES(MCVS) AS SET BY ROHS 2.0 DIRECTIVE 2011/65/EU AND ANNEX II AMENDMENT DIRECTIVE (EU)2015/863.

NOTES:

THIS DOCUMENT CONTAINS PROPRIETARY INFORMATION AND SUCH INFORMATION MAY NOT BE DISCLOSED TO OTHERS FOR ANY PURPOSE OR USED FOR MANUFACTURING PURPOSES WITHOUT WRITTEN PERMISSION FROM THE AMPHENOL CORP.

N/A	PRO/ENGINEER INFORMATION
NEXT ASSEMBLY	Pro/e Model Used: 10-747916.RECEPTACLE.ASSEM
METRIC DOCUMENT	Drawing Name: C10-747916

UNLESS OTHERWISE SPECIFIED		SPECIFICATIONS		POS	QTY	PART NUMBER	DESCRIPTION	NOTE	
LINEAR DIMENSIONS ARE IN: MILLIMETERS		MATERIAL SPEC.		APPROVALS		DATE	PARTS LIST		
TOLERANCES: ANGLES= ±2° DEFAULT LINEAR TOLERANCES SEE TABLE		N/A		PREPARED BY	GRACE YANG	MAR-22-17	AMPHENOL INDUSTRIAL OPERATIONS Amphenol Technology(Zhuhai)Co.,Ltd No.63, Xingnan Road, Sanzao Town, Jinwan, Zhuhai, PRC		
DIM. & TOL. PER ASME Y14.5M-1994; DRM PER MIL-DTL-31000; OTHER AMPHENOL STANDARDS: 9-9318		PROCESS SPEC.		ENGINEER IN CHARGE	EVANS JIANG		8.0MM SURLOK PLUS WITH EMI RECEPTACLE -THRU HOLE TYPE		
LEGENDS: △=FLAG NOTE CALL OUT REFERENCE ONLY		N/A		DESIGN MANAGER	ROB WENG		SIZE	CAGE CODE	DOCUMENT NO.
				DESIGN ACTIVITY GROUP	C&I		C	77820	() 0-747916-()
				THIRD ANGLE PROJECTION		SCALE: 3.0	REF: N/A	SHEET 1 OF 1	

DOCUMENT NO. () 0-747916-() SHEET 1 OF 1 REV. A

REV. A SHEET 1 OF 1 DOCUMENT NO. () 0-747916-()