

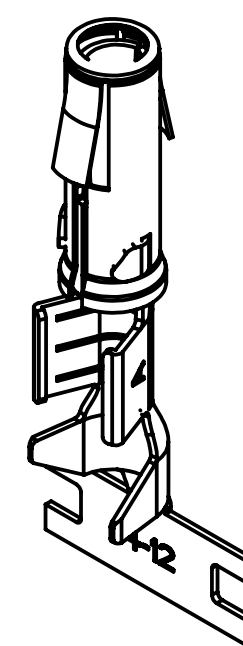
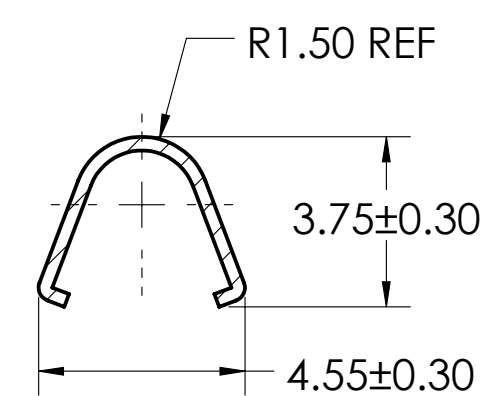
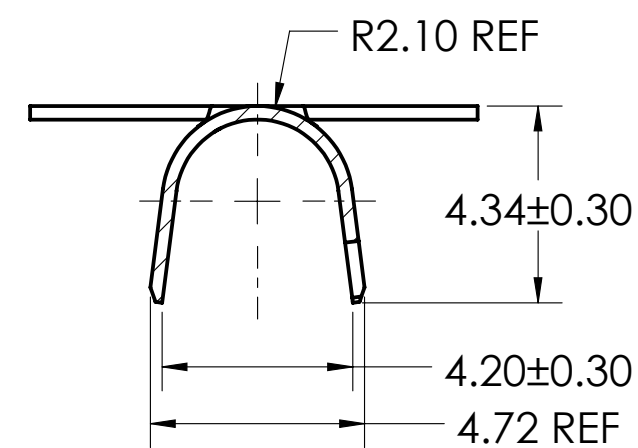
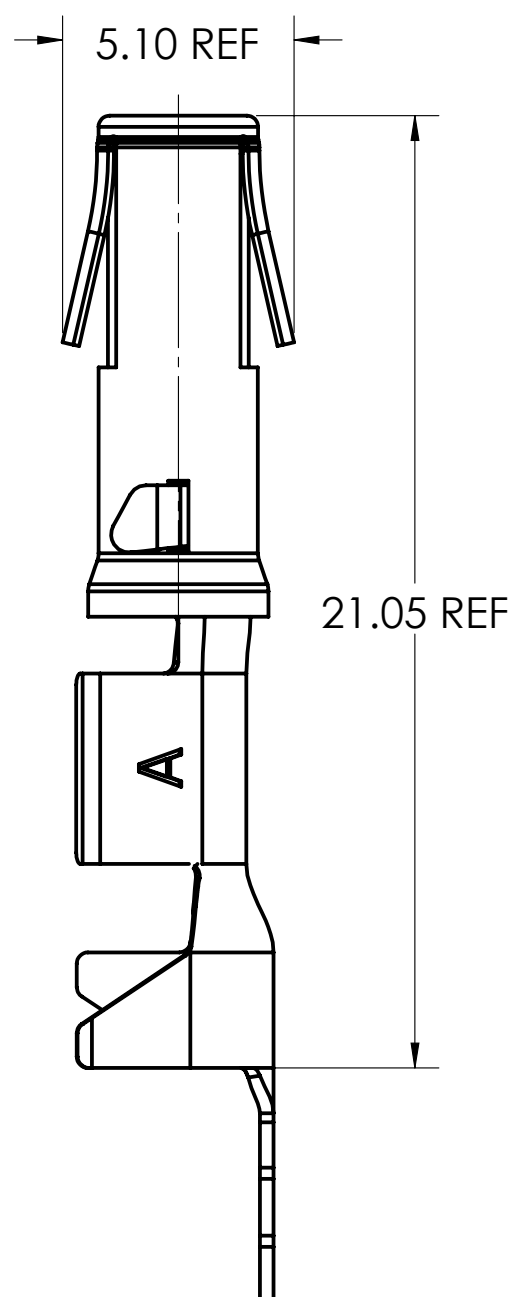
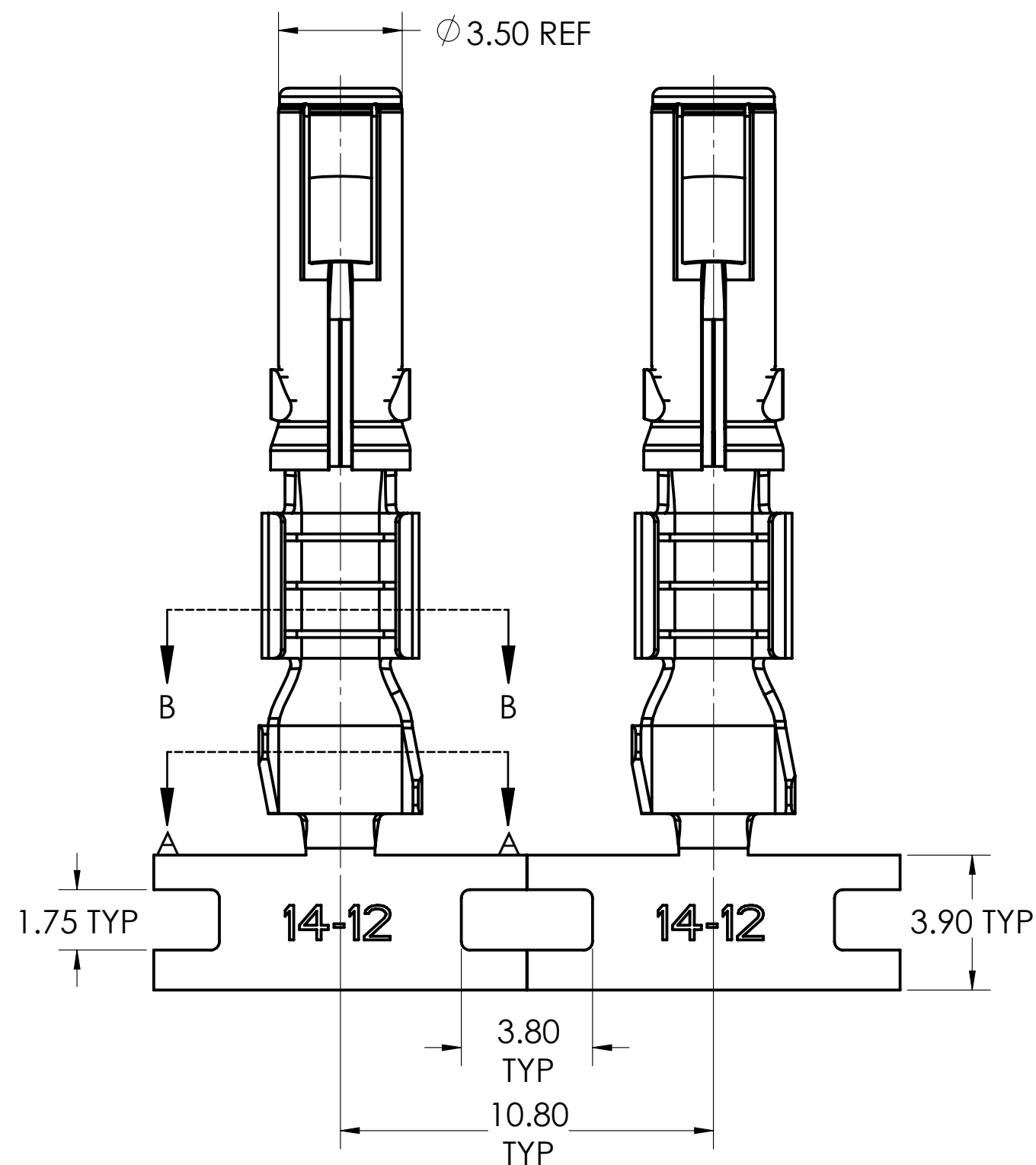
GENERAL TOLERANCE

DIM. RANGE	0.5 - 3	>3-6	>6-30	>30-120	>120-400
TOLERANCE	±0.1	±0.1	±0.2	±0.3	±0.5

CUSTOMER DRAWING

REVISIONS

REV.	DESCRIPTION	DATE
PA1	INITIAL RELEASE	2019/7/23



2. THE CONTACT BODY WILL BE WITH TIN PLATING.

1. THE REFERENCED PRODUCT SHALL BE COMPLIANT TO RoHS NOTES: DIRECTIVE.

THIS DOCUMENT CONTAINS PROPRIETARY INFORMATION AND SUCH INFORMATION MAY NOT BE DISCLOSED TO OTHERS FOR ANY PURPOSE OR USED FOR MANUFACTURING PURPOSES WITHOUT WRITTEN PERMISSION FROM THE AMPHENOL CORP.

UNLESS OTHERWISE SPECIFIED		APPROVALS		DATE
LINEAR DIMENSIONS ARE IN: MILLIMETERS TOLERANCES: ANGLES= ±2° DEFAULT LINEAR TOLERANCES SEE TABLE DIM. & TOL. PER ASME Y14.5M-1994; DRM PER MIL-DTL-31000; OTHER AMPHENOL STANDARDS: 9-3800 LEGENDS: =FLAG NOTE CALL OUT REFERENCE THIRD ANGLE PROJECTION 		PREPARED BY:	JAVEN CHENG	2019/7/23
		ENGINEER IN CHANGE:	LISA LI	
		DESIGN MANAGER:	RAN XIAO	
		PRODUCT GROUP:	C&3	
		AIPG DIVISION:		
		MATERIAL SPEC	PROCESS SPEC	
		N/A	N/A	

AMPHENOL INDUSTRIAL OPERATIONS			
Amphenol Technology(Zhuhai)Co.,Ltd No.63, Xingnan Road, Sanzao Town, Jinwan, Zhuhai, PRC			
SOCKET ASSEMBLY, STAMPING SIZE 12 FOR 12AWG - 14AWG WIRE			
SIZE	CAGE CODE	DOCUMENT NUMBER	REV
C	77820	C10-737343-121	PA1
SCALE: 1:1		REF: N/A	SHEET 1 OF 1

DOCUMENT NO. C10-737343-121 SHEET 1 OF 1 REV. PA1

DOCUMENT NO. C10-737343-121 SHEET 1 OF 1 REV. PA1