

REV	LOCATIONS	DESCRIPTION	DATE	REVISER	APPD
1	△	1. Dimension: Change 21.30 into 21.30mm 2. Part No.: Change FRJ4556 into FRJ45056	01/JUN/18	Vandy	Eric

SPECIFICATIONS

Electrical Performances

Current Rating: 1.5A AC(rms)/DC  
Voltage Rating: 125V AC(rms)/DC  
Contact Resistance: 30 mΩ Max  
Insulation Resistance: 500 MΩ Min  
Withstanding Voltage: 1000V AC r.m.s  
Operating Temperature: -40°C~+85°C

Mechanical Performances

Mating/Unmating Force: 30N Max  
Retention Strength: 50N For 60s±5s  
Durability: 750 Cycles Min.

Material and Plating

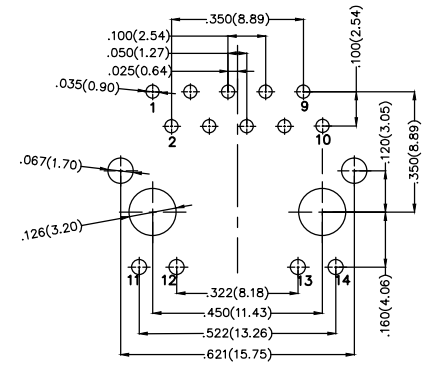
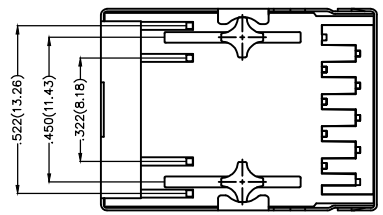
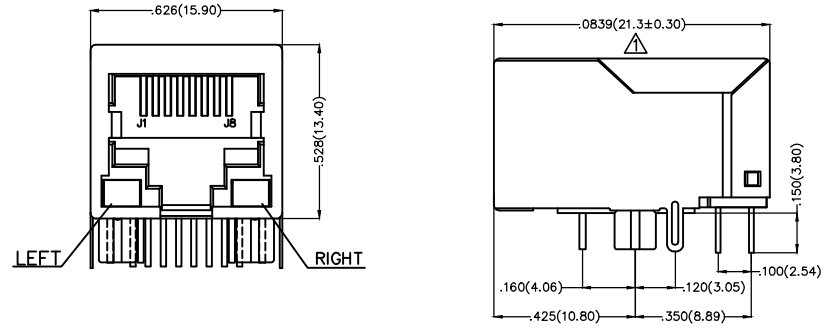
Housing: PBT (UL 94V-0)  
Contact: Phosphor Bronze/Selective gold in contact area, matte tin on tail  
Shell: Copper Alloy/Nickel Plated

Ordering Information

FRJ45 056 — 1 3 XX K6 K X 1 0 2  
1 2 3 4 5 6 7 8 9 10

1	Category FRJ45-RJ45 Connector	2	Distinction No. 056	3	Ports options 1-1 Port	4	Plating 3-Selective gold in contact area, tin on tail	5	Thickness of plating 00-Gold flash 03-3μ" Custom plate available
6	Color-Resin K6-Black	7	Packaging K-Tray	8	LED style 1-L: Yellow R: Green 2-L: Green R: Yellow	9	Contact type 1-Square pin	10	Pin circuits 2-1000Base-T

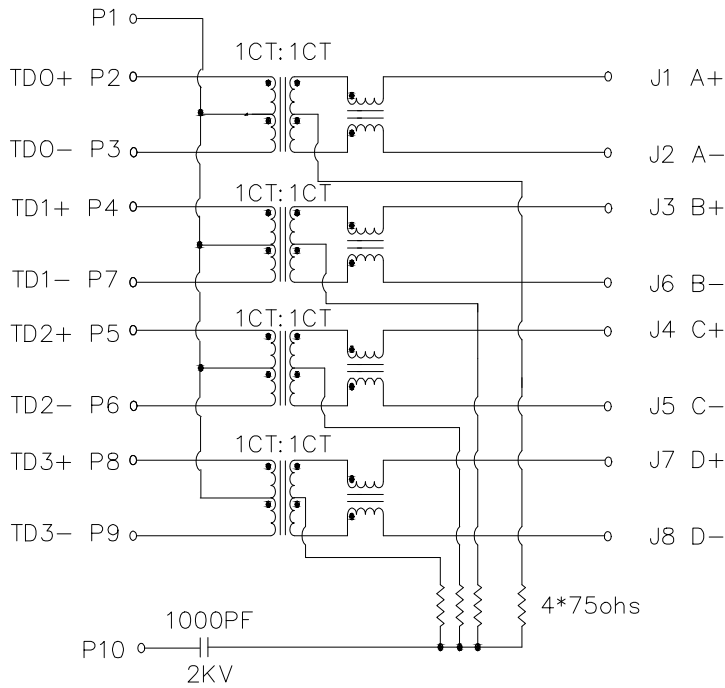
<p>THIRD ANGLE PROJECTION</p>	GENERAL TOLERANCES (UNLESS SPECIFIED)		APPROVE BY FRANK	DATE 1/AUG/13	PART NO. △ FRJ45056-13XXK6KX102	ITEM NO. FRJ45056	<p>Leader Of Industry</p>	
	DESIGN UNITS Inch (metric)	X.±.012(0.30) X.X±.008(0.20) X.XX±.006(0.15) X.XXX±.004(0.10)	X.'±5" .X'±2" .XX'±1" .XXX'±0.5"	CHECKED BY CHERRY	DATE 1/AUG/13	TITLE RJ45 Connector 10P8C 90°Angle(1000Base-T)		REV 1
	SCALE 5:1	SIZE A4		DRAWN BY JACOB	DATE 1/AUG/13	THIS DRAWING CONTAINS INFORMATION THAT IS PROPRIETARY TO TXGA INDUSTRIAL ELECTRONICS(S.Z)CO.,LTD AND SHOULD NOT BE USED WITHOUT WRITTEN PERMISSION		



Recommended P.C.Board Layout

REV	LOCATIONS	DESCRIPTION	DATE	REVISER	APPD
1					

PCB Side



**ELECTRICAL SPECIFICATION**

**TURN RATIO**

1.SECONDARY: PRIMARY=1CT:1CAT ±3%

OCL: 350uH min, 8mA DC bias current

INSERTION LOSS: 1-100MHZ-1.0dB max

**RETURN LOSS:**

1MHZ TO 10MHZ: -18dB min

10MHZ TO 30MHZ: -16dB min

30MHZ TO 60MHZ: -14dB min

60MHZ TO 80MHZ: -12dB min

80MHZ TO 100MHZ: -10dB min

**CROSS TALK:**

1MHZ TO 100MHZ: -35dB min

**COMMON MODE REJECTION:**

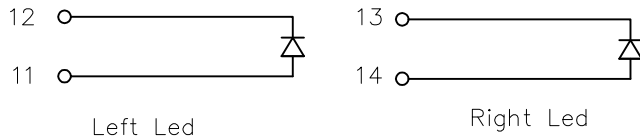
1-100MHZ TO 100MHZ: -35dB min

HIPOT: 1200V AC 1mA 1S

CAPACITOR: 1000pF ±20% 2KV

RESISTENCE: 750HMS±5%

RESISTANCE OF COIL: 1.8HMS max, 0.250HMS min



<p>THIRD ANGLE PROJECTION</p>	GENERAL TOLERANCES (UNLESS SPECIFIED)		APPROVE BY FRANK	DATE 1/SEPT/13	PART NO. FRJ45056-13XXK6KX102	ITEM NO. FRJ45056	<p>Leader Of Industry</p>	
	X.±.012(0.30)	X.±5'	CHECKED BY CHERRY	DATE 1/SEPT/13	TITLE RJ45 Connector 10P8C 90°Angle(1000Base-T)			REV 1
	DESIGN UNITS Inch (metric)	X.XX±.008(0.20)	.X'±2'	DRAWN BY JACOB	DATE 1/SEPT/13	THIS DRAWING CONTAINS INFORMATION THAT IS PROPRIETARY TO TXGA INDUSTRIAL ELECTRONICS(S.Z)CO.,LTD AND SHOULD NOT BE USED WITHOUT WRITTEN PERMISSION		
	SCALE 5:1	SIZE A4	X.XX±.006(0.15)	.XX'±1'				
		X.XXX±.004(0.10)	.XXX'±0.5'					