

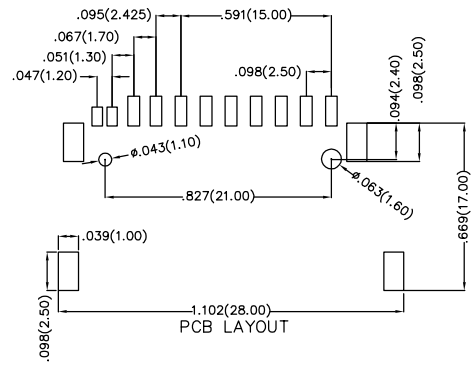
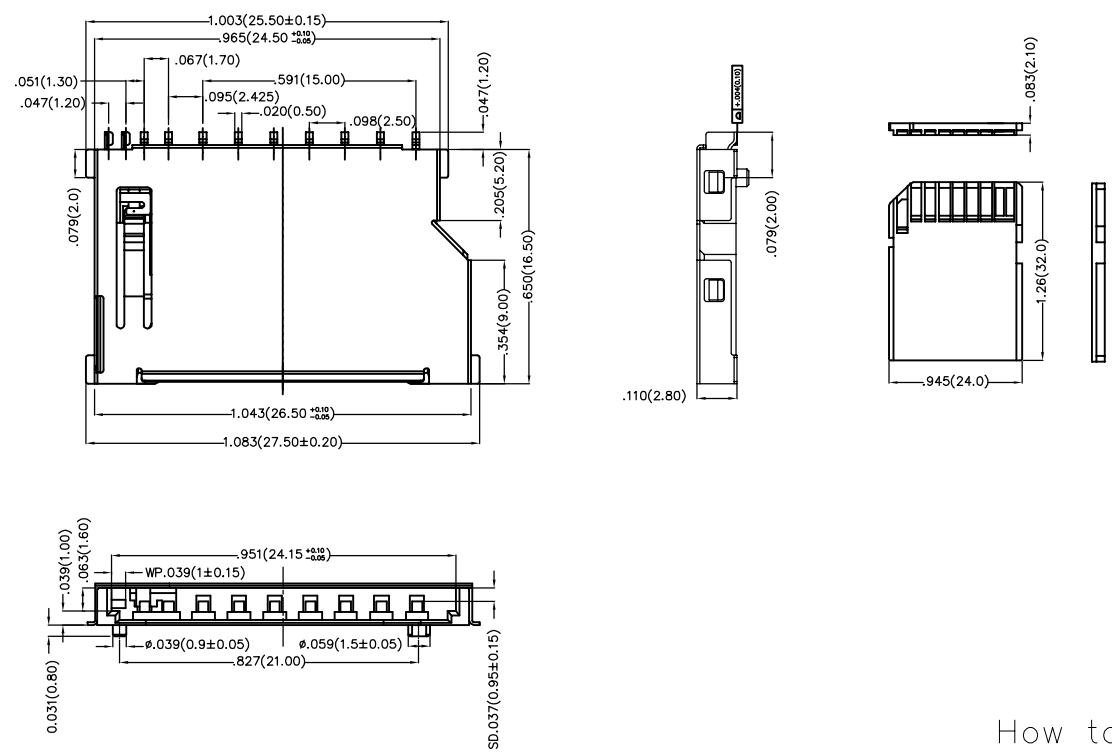
<http://www.txgagroup.com>  
[mail.sales@txgagroup.com](mailto:mail.sales@txgagroup.com)

REV	LOCATIONS	DESCRIPTION	DATE	REVISER	APPD

**SPECIFICATIONS**

Electrical  
 Current Rating: 0.5A AC(rms)/DC  
 Voltage Rating: 100V AC(rms)/DC  
 Contact Resistance: 100 mΩ Max  
 Insulation Resistance: 100 Ω MIN 500V  
 Withstanding Voltage: 500V AC r.m.s  
 Operating Temperature: -25°C ~ +90°C

Material  
 Housing: High Temperature Plastic UL 94V-0  
 Contact: Phosphor Bronze Gold/Tin-Plated  
 Cycles: 1000 Times



How to order

FCD 1 03 - 2 K  
 1 2 3 4 5

1 Series Name Card-FCD 2 Series Number SD Card-1 3 Distinction No -03 4 Category Short Type-2 5 Packaging Tray-K

 Third Angle Projection UNIT: in(mm) SCALE: 1:1	TOLERANCE (Expect as noted)		APPROVE	Frank	PART NO:		TITLE:	ITEM NO:	 REV: 0
	X.±0.012(0.30)	X.'±5'	CHECK	Lynn	FCD103-2K		CARD	CD-103	
	X.X±.008(0.20)	.X'±2'	DRAWN	Rong	DATE	17/AUG/10	REQUIRED DOCUMENTS:		
	X.XX±.006(0.15)	.XX'±1'					SD Card Connector Short Series		
	X.XXX±.004(0.10)	.XXX'±0.5'							