

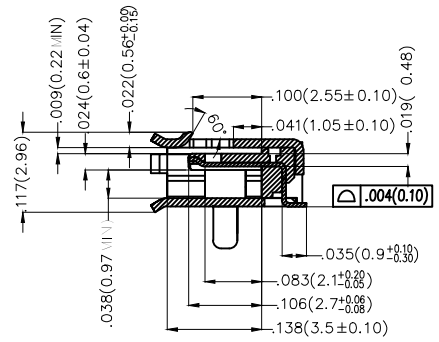
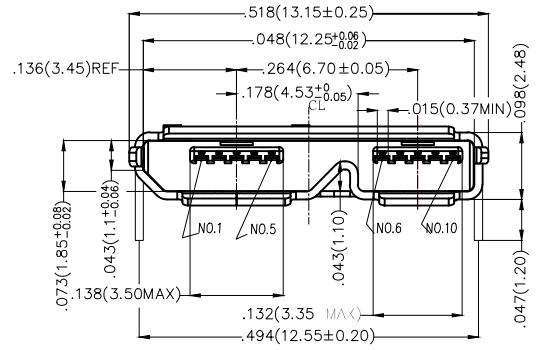
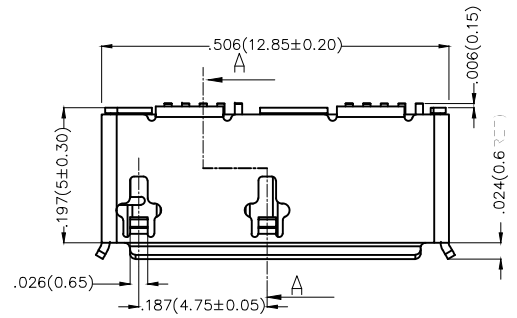
REV	LOCATIONS	DESCRIPTION	DATE	REVISER	APPD

Electrical

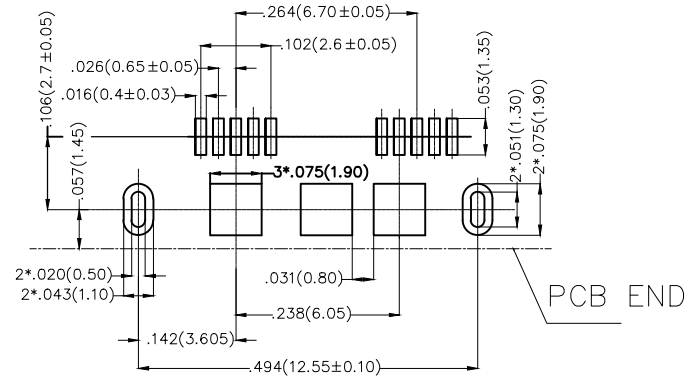
Current Rating: 1A AC(rms)/DC
Voltage Rating: 30V AC(rms)/DC
Contact Resistance: 20 mΩ Max
Insulation Resistance: 1000 MΩ MIN
Withstanding Voltage: 600V AC r.m.s
Temperature Range—Operating: -40°C ~ +85°C

Material and Plating

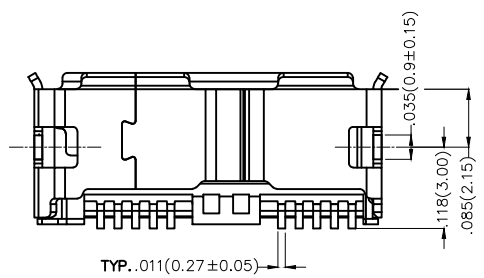
Housing: LCP/PA6T(UL 94V-0)
Contact Pin: Phosphor Bronze
Plating: Gold in contact area, Tin on tail.



Section A-A



Recommended P.C.Board Layout
(General Tolerance : ±.002(0.05))



<p>THIRD ANGLE PROJECTION</p>	GENERAL TOLERANCES (UNLESS SPECIFIED)		APPROVE BY	DATE	PART NO.	ITEM NO.	<p>Leader Of Industry</p>	
	X.±.012(0.30)	X.±5'	FRANK	21/JUN/13	FUS310-FSBK6M	FUS310		
	DESIGN UNITS	X.X±.008(0.20)	X.±2'	CHECKED BY	DATE	TITLE		REV 0 SHEET NO. 1/1
	Inch (metric)	X.XX±.006(0.15)	.XX±1'	CHERRY	21/JUN/13	Micro USB 10Circuits 90°Angle Female(SMT)(3.0)		
SCALE	X.XXX±.004(0.10)	.XXX±0.5'	DRAWN BY	DATE	THIS DRAWING CONTAINS INFORMATION THAT IS PROPRIETARY TO TXGA INDUSTRIAL ELECTRONICS(S.Z)CO.,LTD AND SHOULD NOT BE USED WITHOUT WRITTEN PERMISSION			
5:1	A4		JACOB	21/JUN/13				