

REV	LOCATIONS	DESCRIPTION	DATE	REVISER	APPD
1	△	1. Add the "TXGA" logo 2. Part No.: Change FRJ45150 into FRJ45011	31/MAY/18	KATE	ERIC

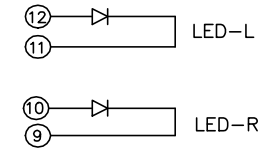
SPECIFICATIONS

Electrical

Current Rating: 1.5A AC(rms)/DC  
Voltage Rating: 125V AC(rms)/DC  
Contact Resistance: 50 mΩ Max  
Insulation Resistance: 500 MΩ Min / DC 500V  
Withstanding Voltage: 1000V AC r.m.s  
Operating Temperature: -0°C~+70°C

Material and plating

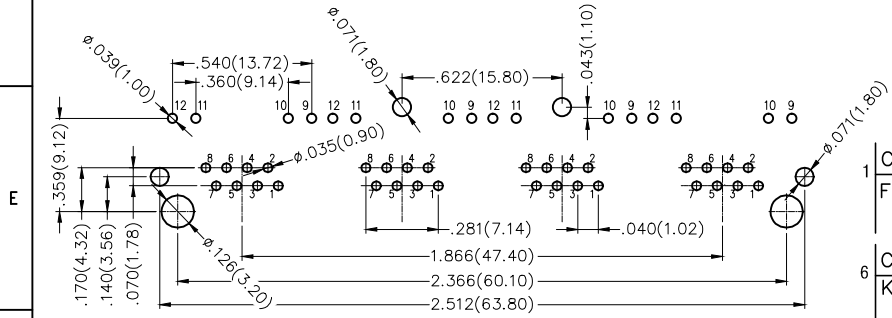
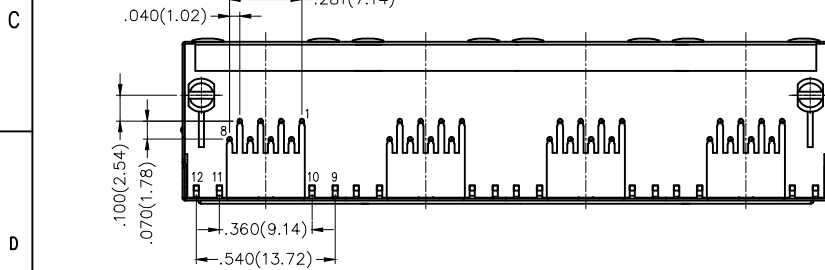
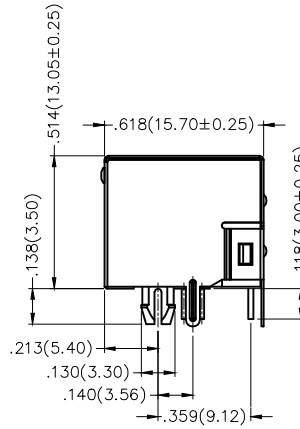
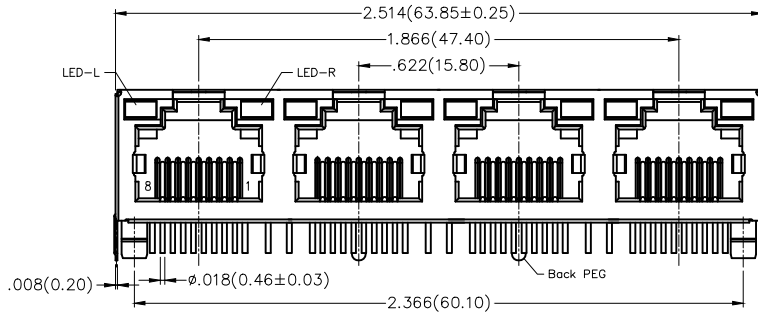
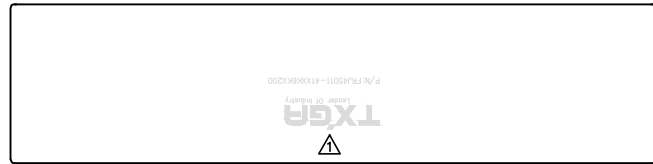
Housing: Glass filled polyester (UL 94V-0), Black  
Contact: Phosphor Bronze/ Gold plated  
Shell: Copper alloy/ Nickel Plated



Ordering Information

FRJ45 011 - 4 1 XX K6 K X 2 0 0  
1 2 3 4 5 6 7 8 9

1	Category FRJ45-RJ45 Connector	2	Distinction No. 011	3	Ports options 4-4 Ports	4	Plating 1-Gold Plated	5	Thickness of plating 00-Gold flash 03-3μ' Custom plate available
6	Color-Resin K6-Black	7	Packaging K-Tray	8	LED style 1-L: Yellow R: Green 2-L: Green R: Yellow	9	Contact type 2-Round pin		



Recommended P.C.Board Layout

 THIRD ANGLE PROJECTION	GENERAL TOLERANCES (UNLESS SPECIFIED)		APPROVE BY FRANK	DATE 09/DEC/16	PART NO. △ FRJ45011-41XXK6KX200	ITEM NO. FRJ45011	 Leader Of Industry	
	DESIGN UNITS Inch (metric)	X.±.012(0.30) .X'±5'	X.±5'	CHECKED BY CHERRY	DATE 09/DEC/16	TITLE RJ45 Connector 8P8C 90° Angle		REV 1
SCALE 5:1	SIZE A4	X.XX±.006(0.15) .XX'±1"	DRAWN BY KATE	DATE 09/DEC/16	THIS DRAWING CONTAINS INFORMATION THAT IS PROPRIETARY TO TXGA INDUSTRIAL ELECTRONICS(S.Z)CO.,LTD AND SHOULD NOT BE USED WITHOUT WRITTEN PERMISSION			