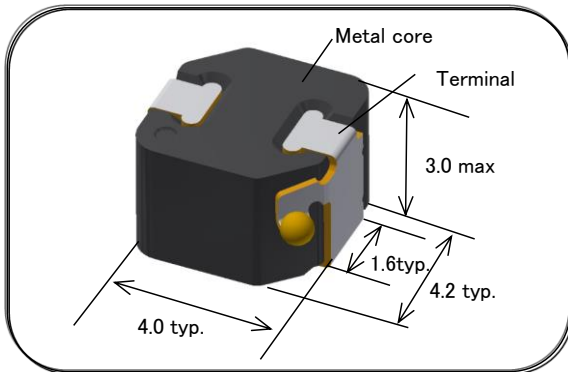


**Component
Image & Dimension**

Simulation Data



Features :

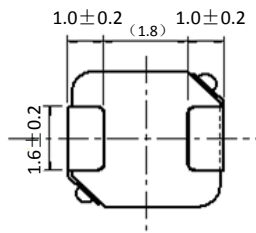
- a) Small Footprint and Low Profile Design :
Footprint : 4.2x4.0 mm Typ.
Height : 3.0mm Max.
- b) High Power Handling Capability :
Small Copper Loss
Using Large Saturation Induction of Fe- based metals
- c) Wide Range Operating Temperature due to High Curie Temperature of metal core

unit : mm

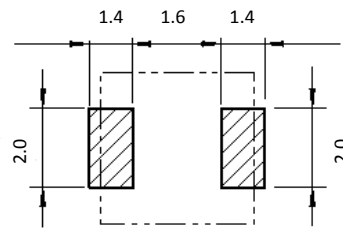
Applications :

- Car navigation
- Car audio
- Car-Multimedia
- HID lighting
- LED drivers

Terminal dimension:



Recommended pad layout :



Electrical Specification

TDK Identification	Inductance		Test Freq. (kHz)	DC Resistance		Rated DC Current			Status
	at 0A (uH)	Tol. (%)		Spec. (m-Ohm)	Typ. (m-Ohm)	Isat 1 (A) typ	Isat 2 (A) typ	Itemp (A) typ.	
SPM4030T-R47M-HZ	0.47	+/-20%	100	7.0 max	6.4	6.0	10.0	11.5	Simulation stage
SPM4030T-1R0M-HZ	1.00	+/-20%	100	15.5 max	14.1	5.0	6.5	8.0	Simulation stage
SPM4030T-1R5M-HZ	1.50	+/-20%	100	25.1 max	22.8	3.5	5.0	6.3	Simulation stage
SPM4030T-2R2M-HZ	2.20	+/-20%	100	40.2 max	36.5	3.0	4.5	5.2	Simulation stage
SPM4030T-3R3M-HZ	3.30	+/-20%	100	64.5 max	58.6	2.2	3.5	4.0	Simulation stage
SPM4030T-4R7M-HZ	4.70	+/-20%	100	90.1 max	81.9	2.0	3.0	3.0	Simulation stage

Note.
Isat 1 : Based on the inductance change.(drop 20% typ.)
Isat 2 : Based on the inductance change.(drop 30% typ.)
Itemp : Based on the self temperature rise. (+40 deg typ.)
 Operating Temperature Range: -40 °C~+125 °C (including self temperature rise)