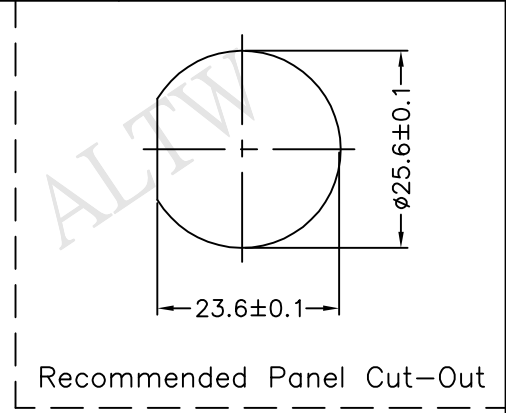
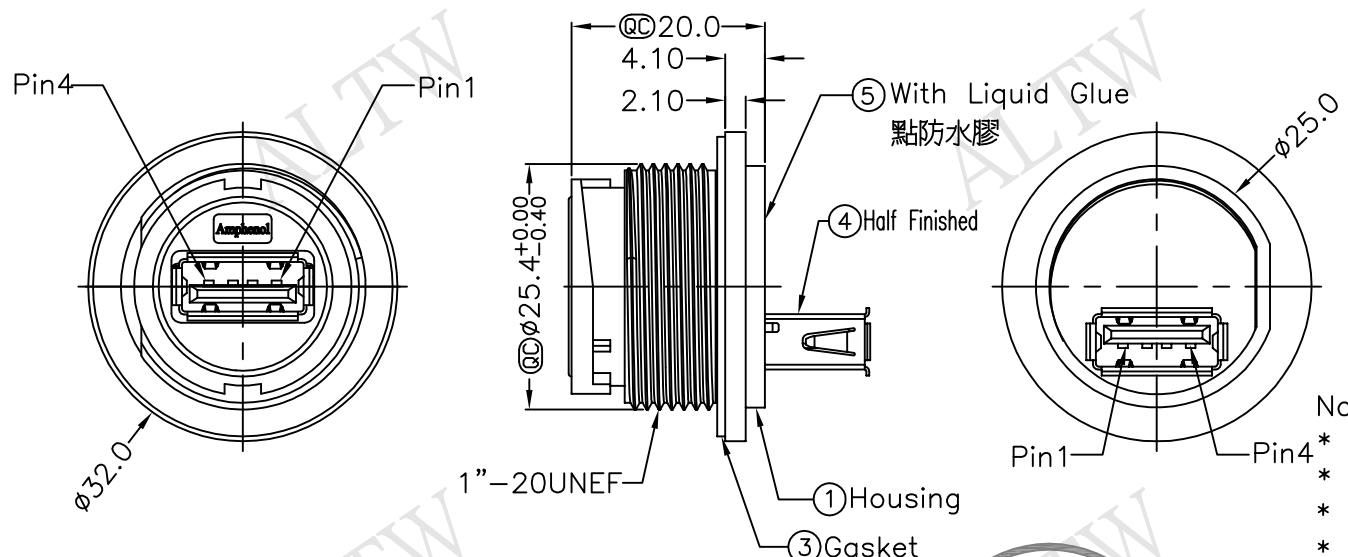
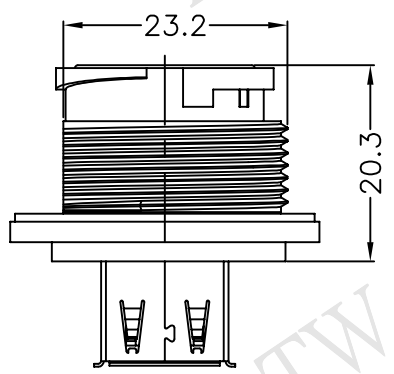
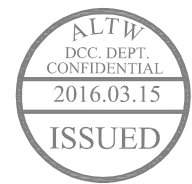
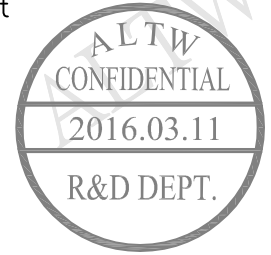


REV. A	ECN NO.	DATE 2016/03/11	SIGN Tom	DESCRIPTION Change Rev.01 To Rev.A
--------	---------	-----------------	----------	------------------------------------

THIS DOCUMENT IS SUBJECT TO CHANGE WITHOUT NOTICE. IT IS CONFIDENTIAL AND A PROPERTY OF AMPHENOL LTW. DISCLOSURE TO THIRD PARTY HAS TO BE AUTHORIZED BY AMPHENOL LTW.



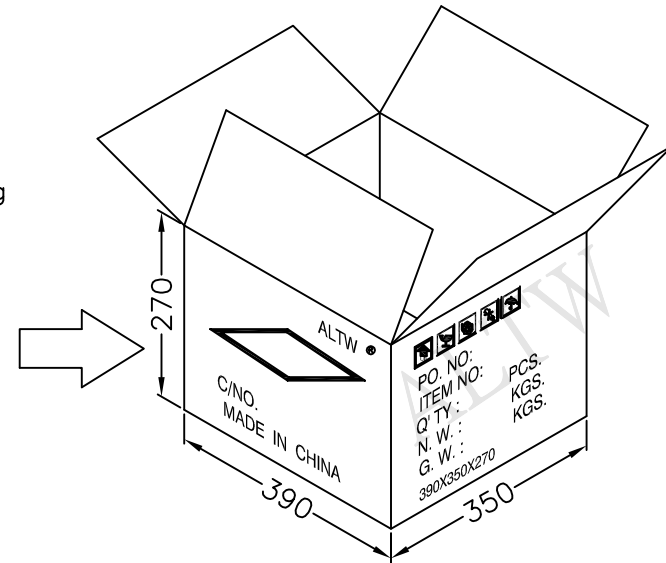
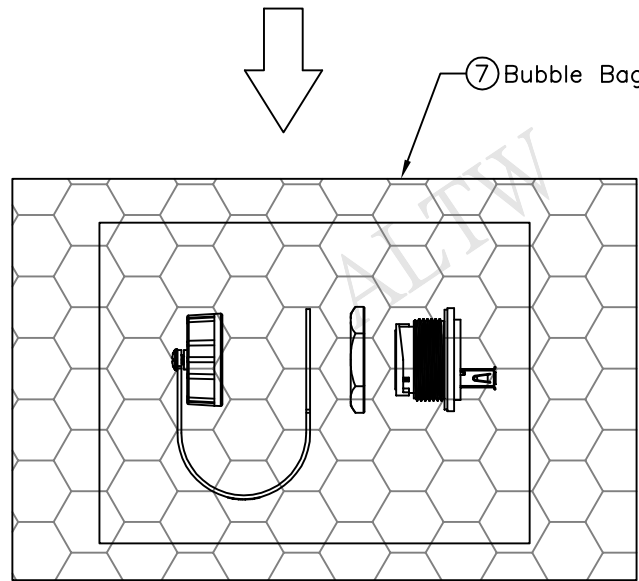
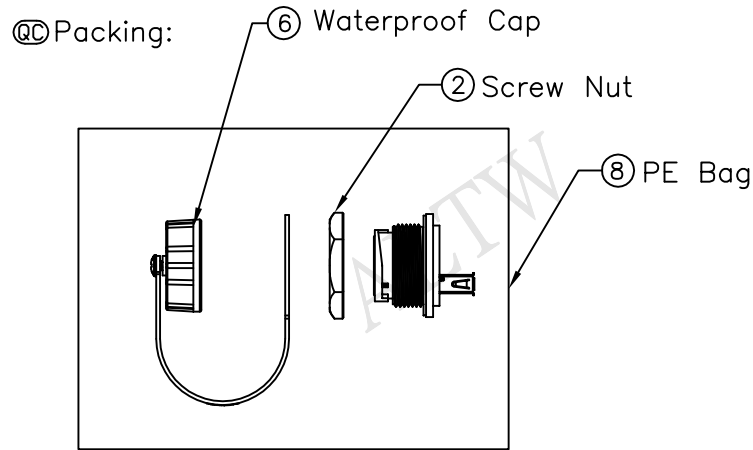
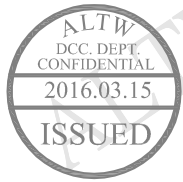
- Note:
- \* @C Important Dimension.
  - \* Waterproof Rate: IP67.
  - \* Housing: Nylon+GF, UL94V-0, Black.
  - \* Screw Nut: Nylon+GF, UL94V-0, Black.
  - \* Gasket: Silicone, UL94V-0, Black.
  - \* Jack: Contact: Phosphor Bronze, 30u"Gold Plated.  
Housing: P.B.T, UL94V-0, Black.  
Back Plug: P.B.T, UL94V-0, Black.  
Shell: Brass, 0.3mm Nickel Plated.
  - \* Electrical: Current Rating: 1.5 AMP At 250V AC  
Voltage Rating: 30 VAC  
Contact Resistance: 30 mohms MAX  
Insulation Resistance: 1000 Mohms MIN  
Dielectric Withstanding Voltage: 500 VAC
  - \* Cap Chain: TPES, Black.
  - \* Use With waterproof cap or dust cap  
For Panel Thickness Max: 2.8mm
  - \* Use Without waterproof cap or dust cap  
For Panel Thickness Max: 4.0mm
  - \* Durability: 1500 Times MIN.
  - \* Temperature: -40~85°C
  - \* All Parts are RoHS Compliant.



UNIT:mm	TITLE USB,USB A,PANEL UA-20PMFP WITH WATERPROOF CAP		<b>Amphenol LTW</b> 安費諾亮泰企業股份有限公司	ITEM NO SPAUA-20PMFP-CAP	DRAWN BY Tom_gu	DATE 2016/03/11
TOLERANCE ±0.5mm	SCALE Free	SHEET 1 OF 2		DWG NO SPAUA-20PMFP-CAP	CHECKED BY Jiazhen	DATE 2016/03/11
	REV. A	SIZE A4	@C :Inspection Item	CUSTOMER LT002866	APPROVED BY Jerry	DATE 2016/03/11

A B C D E F

1 2 3 4 5 6 7 8



Note:

- \* All Parts Are RoHS Compliant.
- \* Nut 和 Waterproof Cap 和 半成品 散開放入 PE 袋 再放入氣泡袋內

UNIT:mm	
TOLERANCE	±0.5mm

TITLE		USB,USB A,PANEL	
SCALE		Free	
REV.	A	SIZE	A4
SHEET		2 OF 2	
QC :Inspection Item			

**Amphenol LTW**  
安費諾亮泰企業股份有限公司

ITEM NO	SPAUA-20PMFP-CAP
DWG NO	SPAUA-20PMFP-CAP
CUSTOMER	LT002866

DRAWN BY	Tom_gu
CHECKED BY	Jiazhen
APPROVED BY	Jerry

DATE	2016/03/11
DATE	2016/03/11
DATE	2016/03/11

THIS DOCUMENT IS SUBJECT TO CHANGE WITHOUT NOTICE. IT IS CONFIDENTIAL AND A PROPERTY OF Amphenol LTW. DISCLOSURE TO THIRD PARTY HAS TO BE AUTHORIZED BY Amphenol LTW.