

REV	LOCATIONS	DESCRIPTION	DATE	REVISER	APPD

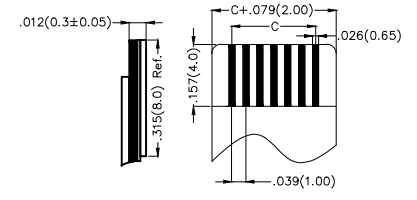
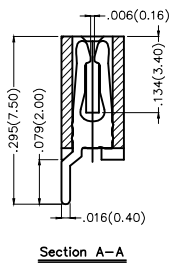
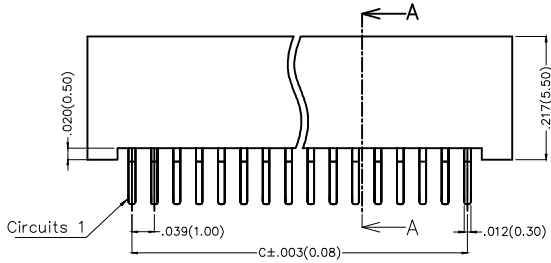
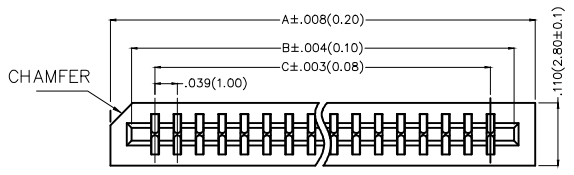
SPECIFICATIONS

Electrical

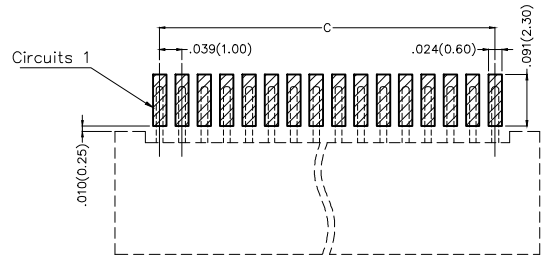
Current Rating: 1A AC(rms)/DC
Voltage Rating: 50V AC(rms)/DC
Contact Resistance: 30 mΩ Max
Insulation Resistance: 500 MΩ MIN
Withstanding Voltage: 500V AC r.m.s
Temperature Range-Operating: -25°C~+85°C

Material

Housing: PA6T UL94V-0
Contact: Copper Alloy/Tin Plated



Applicable FFC Recommended Dimension



Recommended P.C.Board Layout

Ordering Information

FFC 100 33 — XX S B D 2 2 4 K6 M
1 2 3 4 5 6 7 8 9 10 11 12

1 Category FFC-FPC	2 Series Number 100-Pitch1.00mm	3 Distinction No. 33	4 Circuits XX	5 Assemble Layout S-SMT	6 Entry Angle B-90° Angle
7 Contact Type D-Double Contact	8 ZIF 2-NON ZIF	9 Plating 2-Tin Plated	10 Material-Resin 4-PA6T	11 Color-Resin K6-Black	12 Packaging M-Reel

<p>THIRD ANGLE PROJECTION</p>	GENERAL TOLERANCES (UNLESS SPECIFIED)		APPROVE BY FRANK	DATE 5/JUL/13	PART NO. FFC10033-XXSBD224K6M	ITEM NO. FFC10033	<p>Leader Of Industry</p>
	DESIGN UNITS Inch (metric)	X.X ± .012(0.30)	X.X ± 5'	CHECKED BY CHERRY	DATE 5/JUL/13	TITLE FPC/FFC Connector 1.00mm Double Contact SMT	
SCALE 5:1	SIZE A4	X.XX ± .006(0.15)	.XX ± 1'	DRAWN BY JACOB	DATE 5/JUL/13	THIS DRAWING CONTAINS INFORMATION THAT IS PROPRIETARY TO TXGA INDUSTRIAL ELECTRONICS(S.Z)CO.,LTD AND SHOULD NOT BE USED WITHOUT WRITTEN PERMISSION	
		X.XXX ± .004(0.10)	.XXX ± 0.5'			REV 0	SHEET NO. 1/3



1 2 3 4 5 6 7 8

REV	LOCATIONS	DESCRIPTION	DATE	REVISER	APPD

A
B
C
D
E
F

A
B
C
D
E
F

Circuits (n)	Part No.	Dimensions(in/mm)		
		A	B	C
3	FFC10033-03SBD224K6M	.236(6.00)	.201(4.10)	.118(2.00)
4	FFC10033-04SBD224K6M	.276(7.00)	.201(5.10)	.118(3.00)
5	FFC10033-05SBD224K6M	.315(8.00)	.240(6.10)	.157(4.00)
6	FFC10033-06SBD224K6M	.354(9.00)	.280(7.10)	.197(5.00)
7	FFC10033-07SBD224K6M	.394(10.00)	.319(8.10)	.236(6.00)
8	FFC10033-08SBD224K6M	.433(11.00)	.358(9.10)	.276(7.00)
9	FFC10033-09SBD224K6M	.472(12.00)	.398(10.10)	.315(8.00)
10	FFC10033-10SBD224K6M	.512(13.00)	.437(11.10)	.354(9.00)
11	FFC10033-11SBD224K6M	.551(14.00)	.476(12.10)	.394(10.00)
12	FFC10033-12SBD224K6M	.591(15.00)	.516(13.10)	.433(11.00)
13	FFC10033-13SBD224K6M	.630(16.00)	.555(14.10)	.472(12.00)
14	FFC10033-14SBD224K6M	.669(17.00)	.595(15.10)	.512(13.00)
15	FFC10033-15SBD224K6M	.708(18.00)	.634(16.10)	.551(14.00)
16	FFC10033-16SBD224K6M	.748(19.00)	.673(17.10)	.591(15.00)
17	FFC10033-17SBD224K6M	.787(20.00)	.712(18.10)	.630(16.00)
18	FFC10033-18SBD224K6M	.827(21.00)	.752(19.10)	.669(17.00)
19	FFC10033-19SBD224K6M	.866(22.00)	.791(20.10)	.708(18.00)
20	FFC10033-20SBD224K6M	.906(23.00)	.831(21.10)	.748(19.00)
21	FFC10033-21SBD224K6M	.945(24.00)	.870(22.10)	.787(20.00)
22	FFC10033-22SBD224K6M	.988(25.00)	.910(23.10)	.827(21.00)
23	FFC10033-23SBD224K6M	1.028(26.00)	.949(24.10)	.866(22.00)
24	FFC10033-24SBD224K6M	1.063(27.00)	.992(25.10)	.906(23.00)
25	FFC10033-25SBD224K6M	1.102(28.00)	1.032(26.10)	.945(24.00)
26	FFC10033-26SBD224K6M	1.141(29.00)	1.067(27.10)	.988(25.00)
27	FFC10033-27SBD224K6M	1.141(30.00)	1.106(28.10)	1.028(26.00)
28	FFC10033-28SBD224K6M	1.220(31.00)	1.145(29.10)	1.063(27.00)
29	FFC10033-29SBD224K6M	1.256(32.00)	1.185(30.10)	1.102(28.00)
30	FFC10033-30SBD224K6M	1.299(33.00)	1.224(31.10)	1.141(29.00)
32	FFC10033-32SBD224K6M	1.378(35.00)	1.302(33.10)	1.220(31.00)

 THIRD ANGLE PROJECTION	GENERAL TOLERANCES (UNLESS SPECIFIED)		APPROVE BY FRANK	DATE 5/JUL/13	PART NO. FFC10033--XXSBD224K6M	ITEM NO. FFC10033	 Leader Of Industry	
	X.±.012(0.30)	X.±5'	CHECKED BY CHERRY	DATE 5/JUL/13	TITLE FPC/FFC Connector 1.00mm Double Contact SMT			REV 0
	DESIGN UNITS Inch (metric)	X.XX±.006(0.15)	.XX±1'	DRAWN BY JACOB	DATE 5/JUL/13	THIS DRAWING CONTAINS INFORMATION THAT IS PROPRIETARY TO TXGA INDUSTRIAL ELECTRONICS(S.Z)CO.,LTD AND SHOULD NOT BE USED WITHOUT WRITTEN PERMISSION		
SCALE 5:1	SIZE A4	X.XXX±.004(0.10)	.XXX±0.5'					

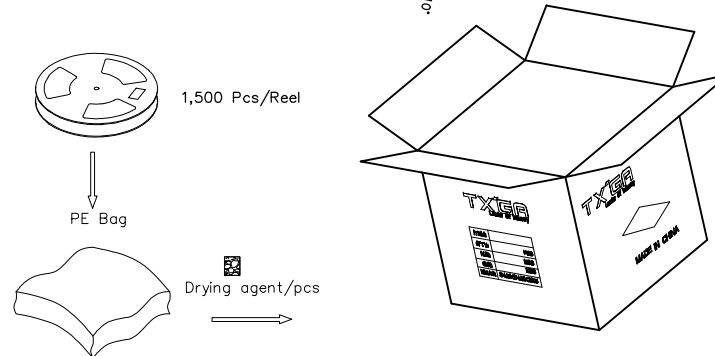
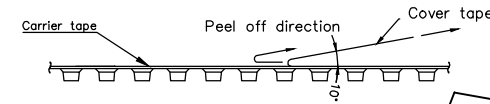
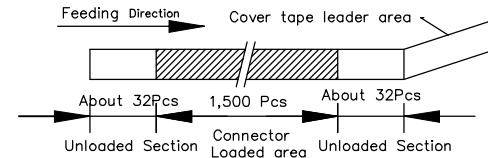
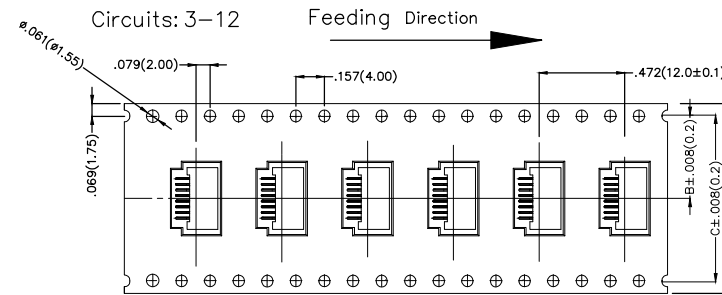
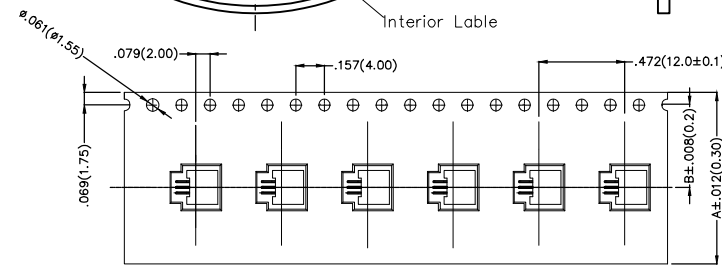
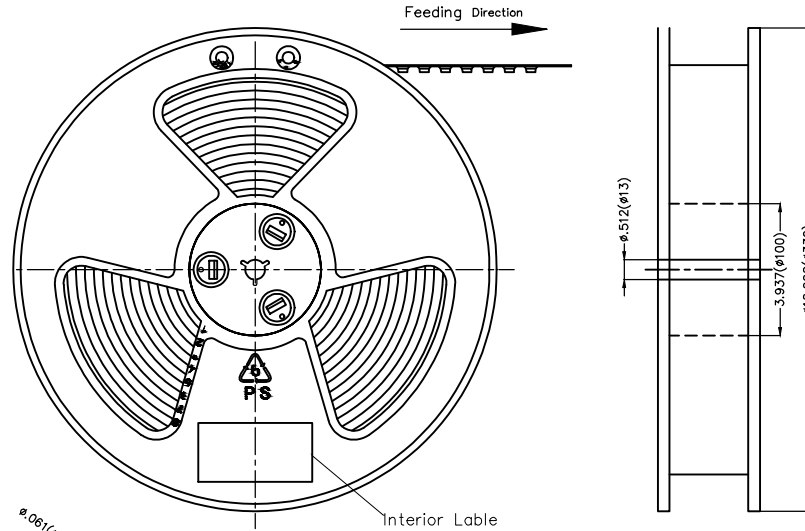
1 2 3 4 5 6 7 8

REV	LOCATIONS	DESCRIPTION	DATE	REVISER	APPD

Note:

- 10 sprocket hole cumulative tolerance ± 0.2
- Carrier camber is within 1.0mm in 250mm
- Material: White Conductive polystyrene Alloy 100% recyclable
- All dimensions meet EIA-481-3 requirements
- Peel off force of cover tape & carrier tape: 2.0g~1.30g (0.2N~1.3N)
- Component load per 13" reel: 1,500 pcs

Circuits (n)	Dimensions (in/mm)		
	A	B	C
3~4	.630(16.0)	.295(7.50)	—
5~12	.945(24.0)	.453(11.5)	—
13~16	1.260(32.0)	.561(14.25)	1.033(28.50)
17~28	1.732(44.0)	.797(20.25)	1.594(40.50)
29~32	2.240(56.0)	1.033(26.25)	2.067(52.50)



 THIRD ANGLE PROJECTION	GENERAL TOLERANCES (UNLESS SPECIFIED)		APPROVE BY	DATE	PART NO.	ITEM NO.	 Leader Of Industry	
	X.±0.12(0.30)	X.±5'	FRANK	18/JUN/13	FFC10033-XXSBD224K6M	FFC10033		
	DESIGN UNITS Inch (metric)	X.X±0.008(0.20)	X.±2'	CHECKED BY	DATE	TITLE FPC/FFC Connector 1.00mm Double Contact SMT		REV 0
	SCALE 5:1	X.XX±0.006(0.15)	.XX±1'	JACOB	18/JUN/13	THIS DRAWING CONTAINS INFORMATION THAT IS PROPRIETARY TO TXGA INDUSTRIAL ELECTRONICS(S.Z)CO.,LTD AND SHOULD NOT BE USED WITHOUT WRITTEN PERMISSION		SHEET NO. 3/3
	X.XXX±0.004(0.10)	.XXX±0.5'	DRAWN BY	DATE				
			CHERRY	18/JUN/13				