

## Taping Dimensions

There are two types of taping packing, Adhesive Taping in accordance with EIAJ standard ET-7101 "Packaging of Electronic Components on Continuous Tapes (Adhesive Types)" and Emboss carrier taping in accordance with JIS standard C-0806 "Packaging of Electronic Components on Continuous Tapes (Surface Mounting Device)".

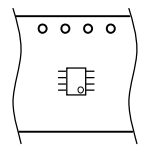
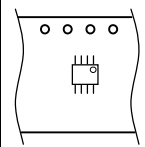
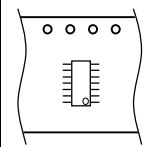
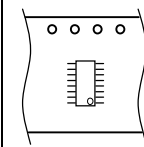
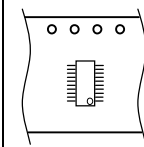
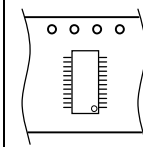
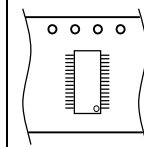
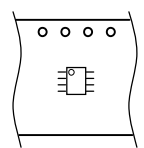
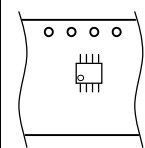
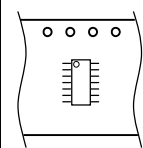
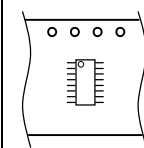
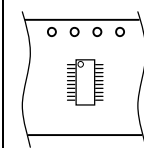
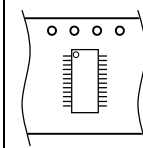
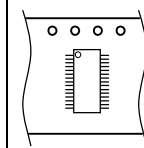
Adhesive Taping Table

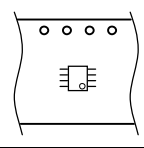
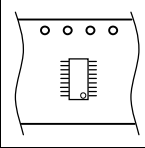
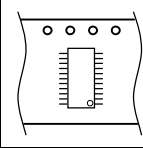
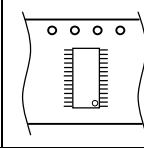
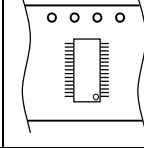
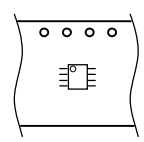
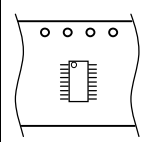
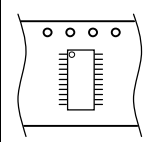
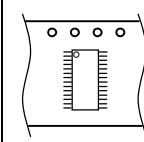
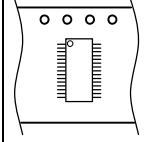
Item	PKG	EMP		DMP				SDMP	
		8pin	14pin	8pin	14pin	16pin	20pin	24pin	30pin
Reel Diameter (mm)		Ø 300							
Tape Width (mm)		32							
Pitch (mm)		12							
Contents (pcs)		2000					1500	1500	
Pull-out direction →	T1								
	T2								

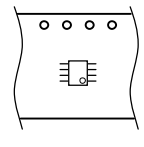
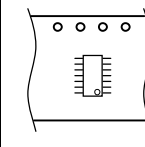
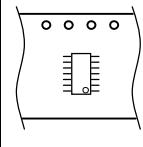
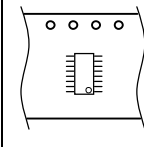
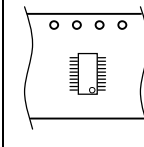
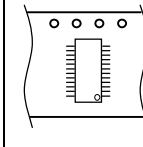
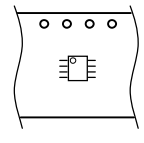
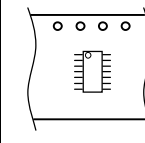
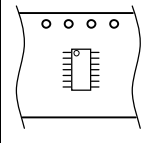
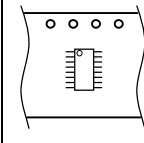
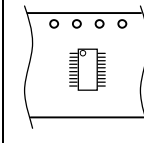
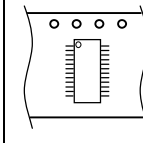
Item	PKG	SOP			TO-92	
		8pin	18pin	20pin	3pin	
Reel Diameter (mm)		Ø 300			Ø 360	Zip zag
Tape Width (mm)		32			18	←
Pitch (mm)		12			12.7	←
Contents (pcs)		2000			←	←
Pull-out direction →	T1					
	T2					

# TAPING DIMENSIONS

Emboss Taping Table

Item	PKG	DMP					SDMP	
		8pin	8pin	14pin	16pin	20pin	24pin	30pin
Reel Diameter (mm)	Ø 330	←	←	←	←	←	←	←
Tape Width (mm)	16	12	16	←	←	24.0±0.3	←	←
Pitch (mm)	12	8	12	←	←	16	←	←
Contents (pcs)	2000	←	←	←	←	←	1000	←
Pull-out direction →		TE1	TE3	TE1	TE1	TE1	TE1	TE1
								
		TE2	TE4	TE2	TE2	TE2	TE2	TE2
								

Item	PKG	SOP				
		8pin	18pin	22pin	28pin	40pin
Reel Diameter (mm)	Ø 330	←	←	←	←	←
Tape Width (mm)	12	24	←	←	←	44
Pitch (mm)	8	12	←	←	←	16
Contents (pcs)	3000	2000	←	←	←	1000
Pull-out direction →		TE1	TE1	TE1	TE1	TE1
						
		TE2	TE2	TE2	TE2	TE2
						

Item	PKG	EMP					
		8pin	14pin	14pinE2	16pinE2	20pinE2	24pinE3
Reel Diameter (mm)	Ø 330	←	←	←	←	←	←
Tape Width (mm)	12	16	←	←	←	24	←
Pitch (mm)	8	←	←	←	12	←	←
Contents (pcs)	2000	←	←	←	1500	←	←
Pull-out direction →		TE1	TE1	TE1	TE1	TE1	TE1
							
		TE2	TE2	TE2	TE2	TE2	TE2
							

# TAPING DIMENSIONS

Emboss Taping Table

Item	PKG	SSOP					
		8pin	10pin	14pin	16pin	20pin	20pinB2
Reel Diameter (mm)		Ø 255	←	←	←	←	←
Tape Width (mm)		12	←	←	←	←	←
Pitch (mm)		8	←	←	←	←	←
Contents (pcs)		2000	←	←	←	←	←
Pull-out direction →		TE1	TE1	TE1	TE1	TE1	TE1
		TE2	TE2	TE2	TE2	TE2	TE2

Item	PKG	SSOP			VSP	
		20pinF1	24pin	24pin-E1	8pin	10pin
Reel Diameter (mm)		Ø 330	←	←	Ø 255	←
Tape Width (mm)		16	←	←	12	←
Pitch (mm)		12	←	←	8	←
Contents (pcs)		2000	←	←	2000	←
Pull-out direction →		TE1	TE1	TE1	TE1	TE1
		TE2	TE2	TE2	TE2	TE2

Item	PKG	TVSP		TO-252(DL1)		SOT-89	
		8pin	10pin	3pin	5pin	3pin	5pin
Reel Diameter (mm)		Ø 255	←	Ø 330	Ø 331.5	Ø 180	←
Tape Width (mm)		12	←	16	←	12	←
Pitch (mm)		8	←	←	←	←	←
Contents (pcs)		2000	←	3000	←	1000	←
Pull-out direction →		TE1	TE1	TE1	TE1	TE1	TE1
		TE2	TE2	TE2	TE2	TE2	TE2

# TAPING DIMENSIONS

Emboss Taping Table

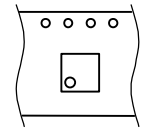
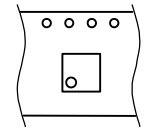
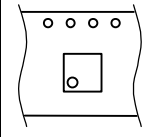
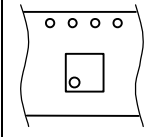
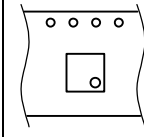
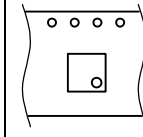
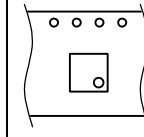
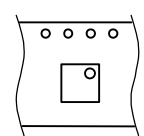
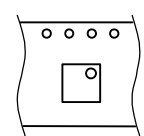
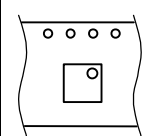
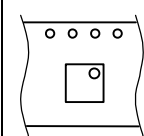
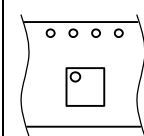
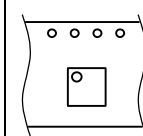
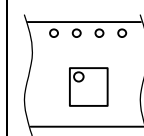
Item	PKG	SOT-23 (MTP)			SC-88A	FLP		
		5pin	6pin	6pin (6-1)	5pin	6pin(6-B2)	6pin(6-C3)	10pin(10-C1)
Reel Diameter (mm)		Ø 180	←	←	←	←	←	←
Tape Width (mm)		8	←	←	←	←	←	12
Pitch (mm)		4	←	←	←	←	←	←
Contents (pcs)		3000	←	←	←	←	←	←
Pull-out direction →		TE1	TE1	TE1	TE1	TE1	TE1	TE3
		TE2	TE2	TE2	TE2	TE2	TE2	TE4

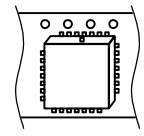
Item	PKG	SON	QFN		
		6pin	20pin-M1	28pin-N1	28pin-P4
Reel Diameter (mm)		Ø 180	Ø 300	←	←
Tape Width (mm)		8	12	←	←
Pitch (mm)		4	8	←	←
Contents (pcs)		3000	←	←	←
Pull-out direction →		TE3	TE4	TE4	TE4
		TE4			

Item	PKG	FFP				PCSP	
		12pin	16pin	24pin	32pin	14pin-C3	16in-E4
Reel Diameter (mm)		Ø 255	←	←	←	Ø 180	Ø 255
Tape Width (mm)		8	←	12	←	8	12
Pitch (mm)		4	←	8	←	4	8
Contents (pcs)		4000	←	2000	←	3000	2000
Pull-out direction		TE1	TE1	TE1	TE1	TE1	TE1
		TE2	TE2	TE2	TE2	TE2	TE2

# TAPING DIMENSIONS

Emboss Taping Table

Item	PKG	USB				BCC		
		6pin-D3	8pin-B3	10pin-C3	12pin-E3	24pin	32pin	36pin
Reel Diameter (mm)		180				254		
Tape Width (mm)		8				12		
Pitch (mm)		4				8		
Contents (pcs)		3000				2000		
Pull-out direction →		TE1	TE1	TE1	TE1	TE1	TE1	TE1
								
		TE2	TE2	TE2	TE2	TE2	TE2	TE2
								

Item	PKG	PLCC
		28pin-M2
Reel Diameter (mm)		Ø 330
Tape Width (mm)		24
Pitch (mm)		16
Contents (pcs)		750
Pull-out direction →		TE3
		

# TAPING DIMENSIONS

## Adhesive Taping Dimensions

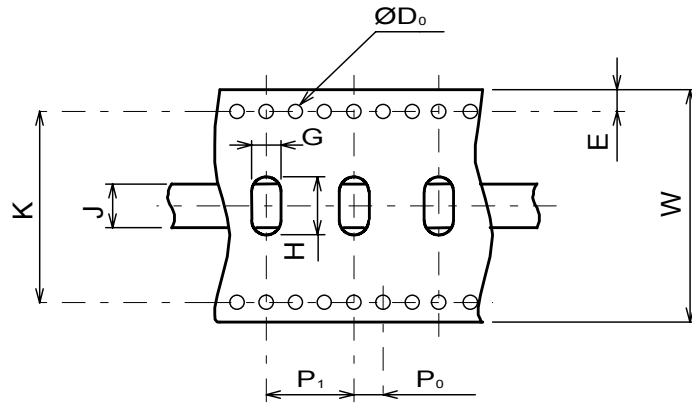
### (1) Adhesive Taping Dimensions for DMP/EMP

- DMP8/14/16/20/24, SDMP30, EMP8/14(T1, T2)

→ Pull-out direction

Symbol	Size
$D_0$	$1.0^{+0.1}_0$
E	$3.0 \pm 0.1$
G	4.0
H	8.0
J	6.0
K	$26.0 \pm 0.1$
$P_0$	$4.0 \pm 0.1$
$P_1$	$12.0 \pm 0.1$
W	$32.0 \pm 0.3$

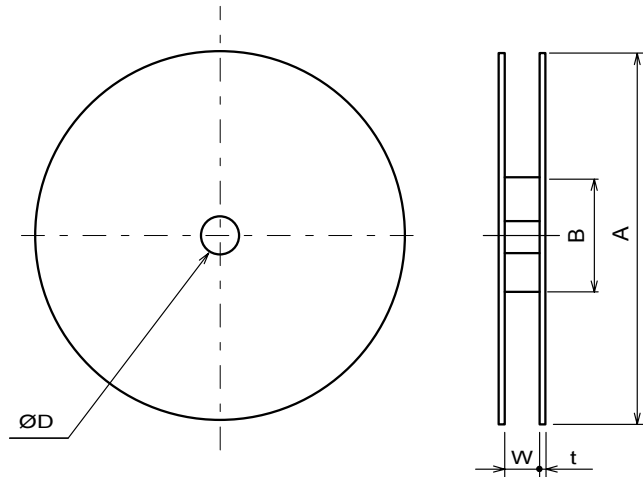
Unit : mm



#### EMP8/14

Symbol	Size
A	$\text{Ø}300 \pm 2$
B	$\text{Ø}80 \pm 1$
D	$\text{Ø}16 \pm 0.8$
W	$34 \pm 1$
t	2

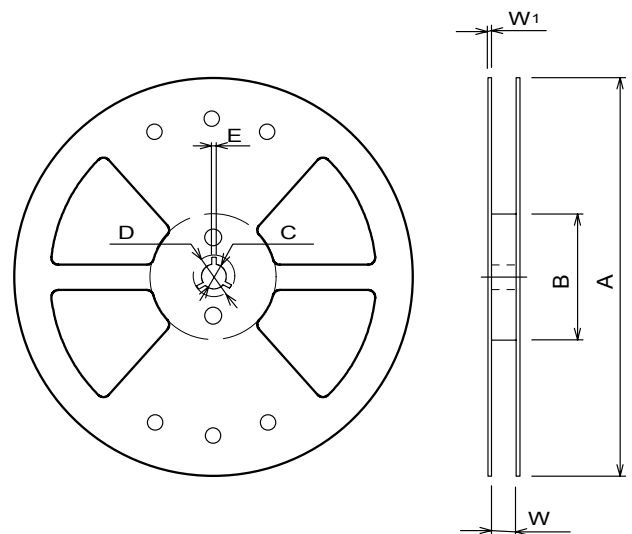
Unit : mm



#### DMP8/14/16/20/24/SDMP30

Symbol	Size
A	$\text{Ø}300 \pm 2$
B	$\text{Ø}80 \pm 1$
C	$\text{Ø}13 \pm 0.2$
D	$\text{Ø}21 \pm 0.8$
E	$2 \pm 0.5$
W	$33.5 \pm 0.5$
$W_1$	$2.2 \pm 0.2$

Unit : mm



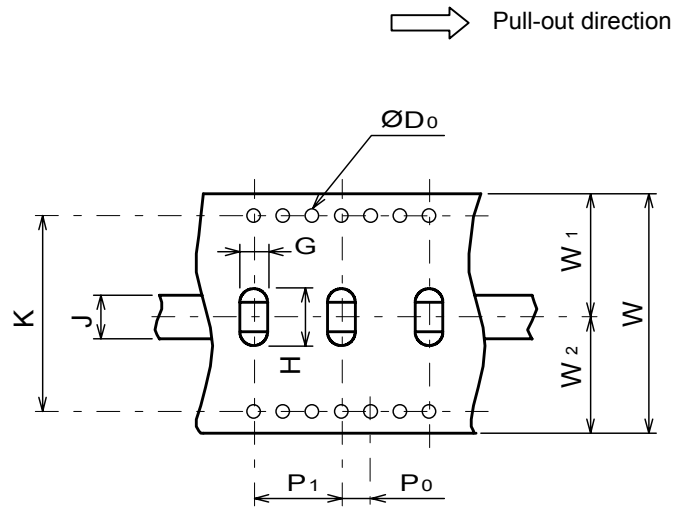
Pull-out beginning : Empty part 80~100cm + Adhesive Tape 20cm  
 Pull-out end : Empty part 80~100cm

## (2) Adhesive Taping Dimensions for SOP

### • SOP8/18/20(T1, T2)

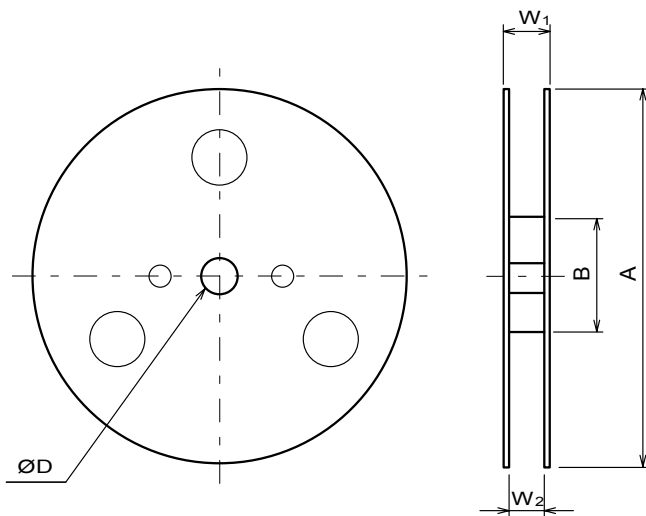
Symbol	Size
$D_0$	$1.0 \pm 0.1$
G	4.0
H	8.0
J	6.0
K	$26.0 \pm 0.1$
$P_0$	$4.0 \pm 0.1$
$P_1$	$12.0 \pm 0.1$
W	$32.0 \pm 0.3$
$W_1$	16.0
$W_2$	16.0

Unit : mm



Symbol	Size
A	$\varnothing 300 \pm 2$
B	$\varnothing 80 \pm 2$
D	$\varnothing 16 \pm 0.5$
$W_1$	$37 \pm 1$
$W_2$	$32.5 \pm 1$

Unit : mm



Pull-out beginning : Empty part more than 90cm + Adhesive Tape 20cm  
 Pull-out end : Empty part 80cm

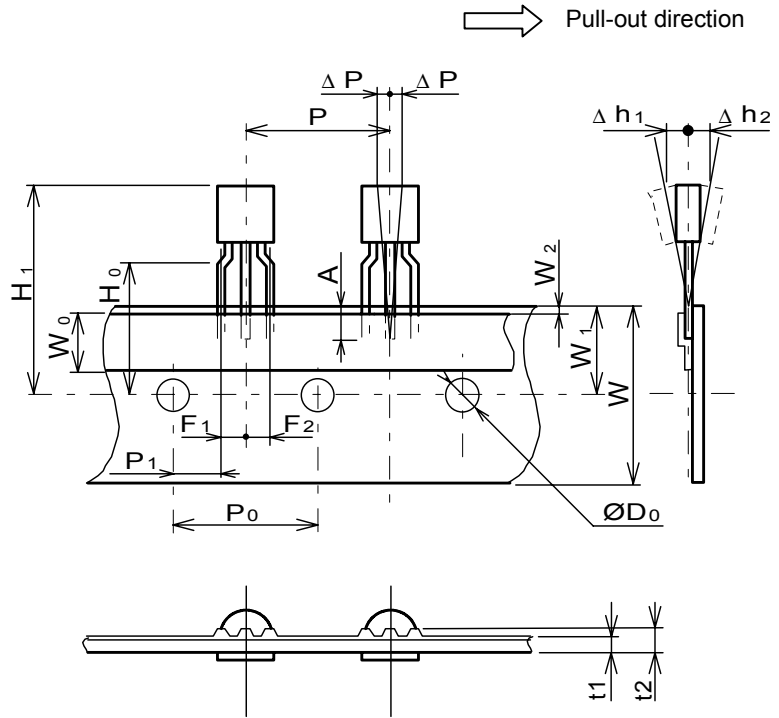
# TAPING DIMENSIONS

## (3) Adhesive Taping Dimensions for TO

### • TO92 (T1, T2)

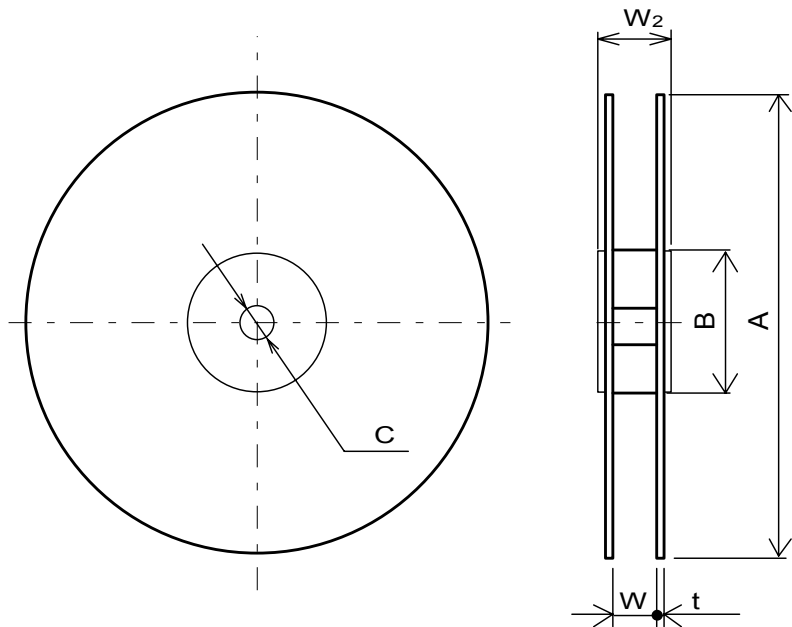
Symbol	Size
A	2.5
D <sub>0</sub>	4.0±0.2
F <sub>1</sub> , F <sub>2</sub>	2.54 <sup>+0.4</sup> <sub>-0.1</sub>
H <sub>0</sub>	16.0±0.5
H <sub>1</sub>	24.7MAX
Δh <sub>1</sub> , Δh <sub>2</sub>	2.0MAX
P	12.7±1.0
P <sub>0</sub>	12.7±0.3
P <sub>1</sub>	3.81±0.7
ΔP	1.0MAX
W	18.0 <sup>+1.0</sup> <sub>-0.5</sub>
W <sub>0</sub>	6.0
W <sub>1</sub>	9.0±0.5
W <sub>2</sub>	0.5MAX
t <sub>1</sub>	0.6±0.3
t <sub>2</sub>	1.5MAX

Unit : mm



Symbol	Size
A	Ø360
B	Ø89
C	Ø30
W	43.0
W <sub>2</sub>	53.0
t	3.0

Unit : mm



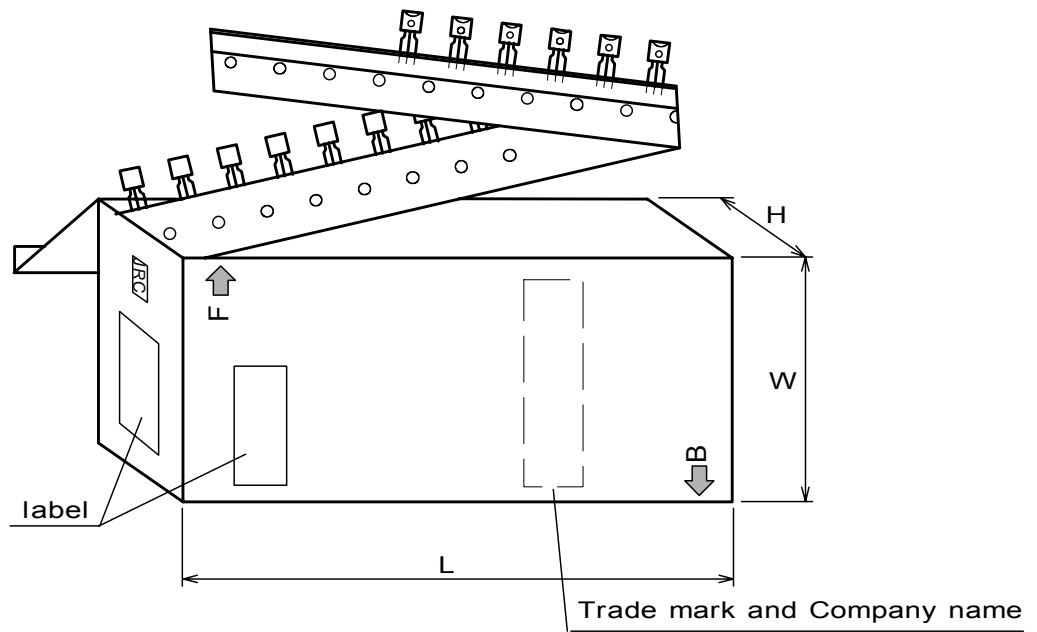
Pull-out beginning : Empty part more than 5 devices + layer paper more than 100cm  
 Pull-out end : Empty part more than 5 devices + layer paper more than 100cm



• TO92 (T3)

Symbol	Size
L	336
W	262
H	45

Unit : mm



Zigzag type (25 devices winding)  
Tape size is the same as T1/T2 type

# TAPING DIMENSIONS

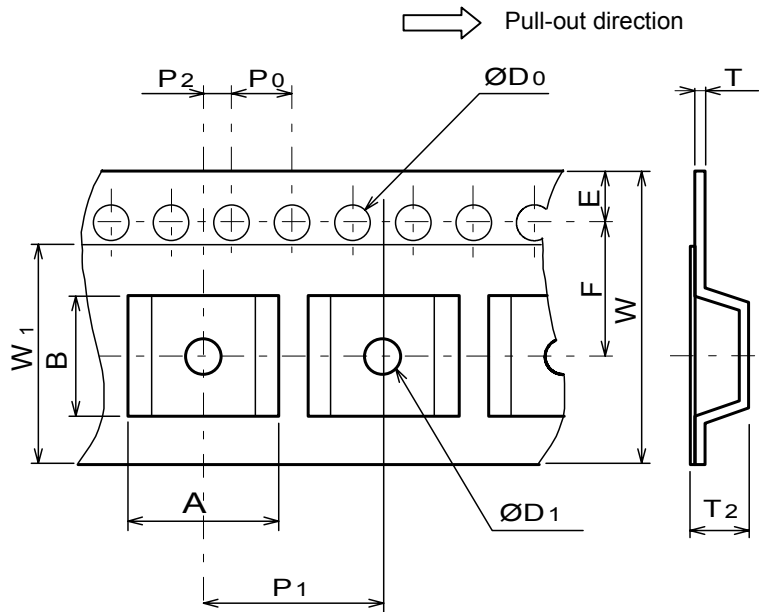
## Emboss Carrier Taping Dimensions

### (1) Emboss Carrier Taping Dimensions for DMP

#### • DMP8 (TE1, TE2)

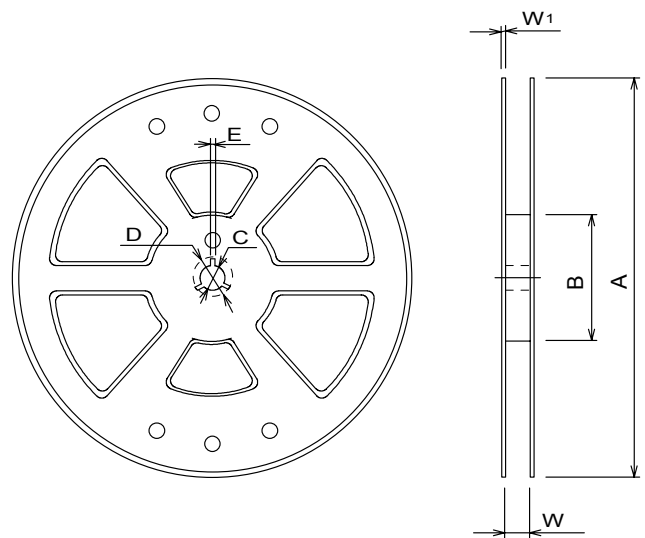
Symbol	Size	Remark
A	7.1	Bottom size
B	5.4	Bottom size
D <sub>0</sub>	1.55±0.05	
D <sub>1</sub>	2.05±0.1	
E	1.75±0.1	
F	7.5±0.1	
P <sub>0</sub>	4.0±0.1	
P <sub>1</sub>	12.0±0.1	
P <sub>2</sub>	2.0±0.1	
T	0.3±0.05	
T <sub>2</sub>	2.3	
W	16.0±0.3	
W <sub>1</sub>	13.5	Thickness 0.1MAX

Unit : mm



Symbol	Size
A	Ø330±2
B	Ø80±1
C	Ø13±0.2
D	Ø21±0.8
E	2±0.5
W	17.5±0.5
W <sub>1</sub>	2±0.2

Unit : mm



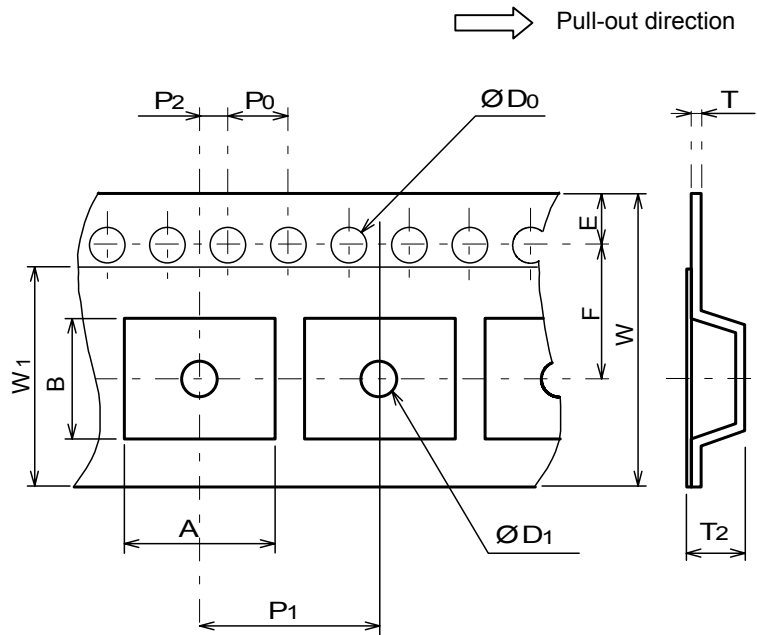
Pull-out beginning : Empty part more than 20 embosses + Cover tape more than one around reel  
 Pull-out end : Empty part more than 20 embosses

# TAPING DIMENSIONS

• DMP8 (TE3, TE4)

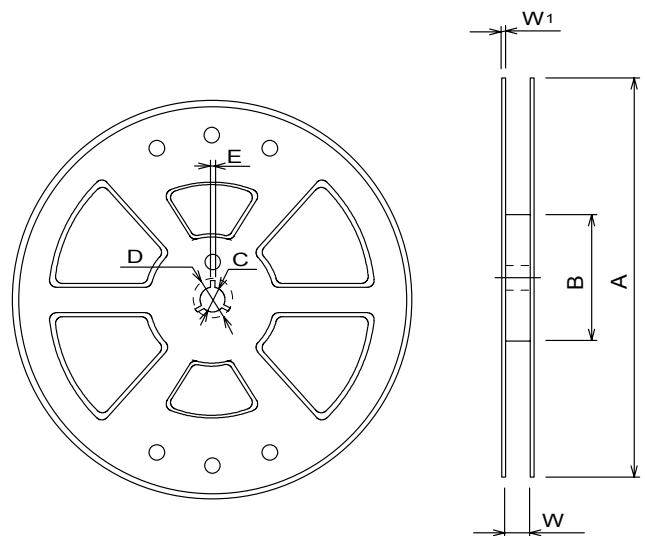
Symbol	Size	Remark
A	5.4	Bottom size
B	7.3	Bottom size
D <sub>0</sub>	1.5 <sup>+0.1</sup> <sub>-0</sub>	
D <sub>1</sub>	1.7±0.1	
E	1.75±0.1	
F	5.5±0.05	
P <sub>0</sub>	4.0±0.1	
P <sub>1</sub>	8.0±0.1	
P <sub>2</sub>	2.0±0.05	
T	0.3±0.05	
T <sub>2</sub>	2.3	
W	12.0±0.3	
W <sub>1</sub>	9.5	Thickness 0.1MAX

Unit : mm



Symbol	Size
A	Ø330±2
B	Ø80±1
C	Ø13±0.2
D	Ø21±0.8
E	2±0.5
W	13.5±0.5
W <sub>1</sub>	2±0.2

Unit : mm



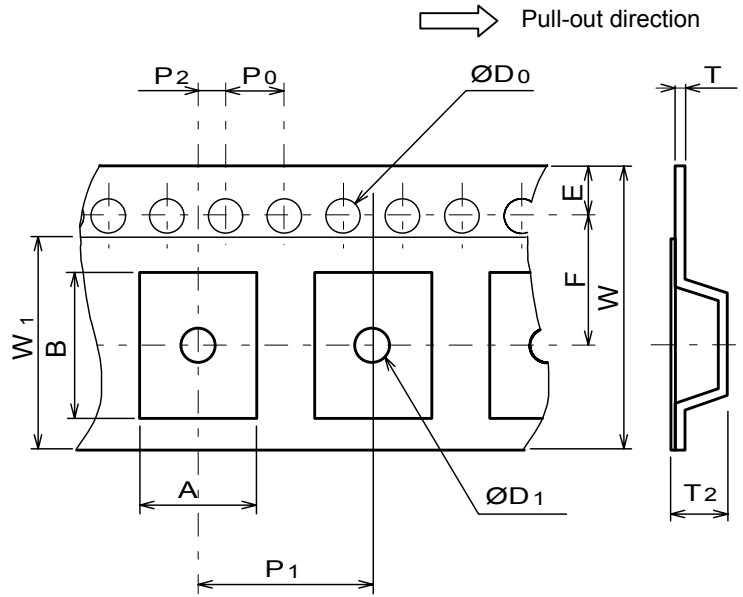
Pull-out beginning : Empty part more than 20 embosses + Cover tape more than one around reel  
 Pull-out end : Empty part more than 20 embosses

# TAPING DIMENSIONS

• DMP14/16/20(TE1, TE2)

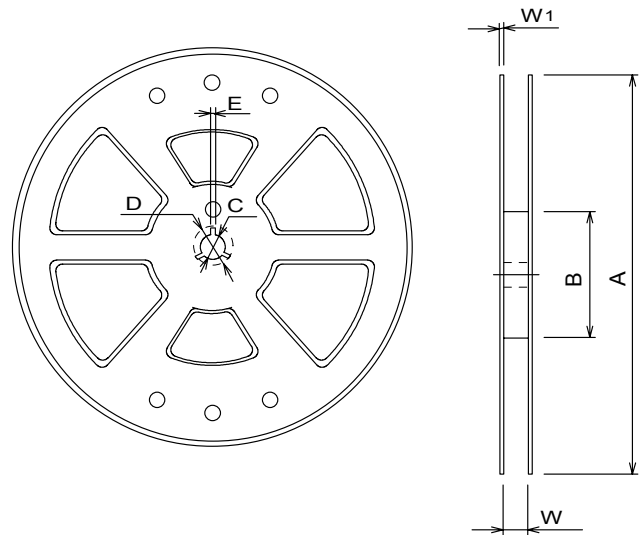
Symbol	Size	Remark
A	7.4	Bottom size
B	10.4	Bottom size
D <sub>0</sub>	1.5 <sup>+0.1</sup> <sub>-0</sub>	
D <sub>1</sub>	1.7±0.1	
E	1.75±0.1	
F	7.5±0.1	
P <sub>0</sub>	4.0±0.1	
P <sub>1</sub>	12.0±0.1	
P <sub>2</sub>	2.0±0.1	
T	0.3±0.05	
T <sub>2</sub>	2.3	
W	16.0±0.3	
W <sub>1</sub>	13.5	Thickness 0.1MAX

Unit : mm



Symbol	Size
A	Ø330±2
B	Ø80±1
C	Ø13±0.2
D	Ø21±0.8
E	2±0.5
W	17.5±0.5
W <sub>1</sub>	2±0.2

Unit : mm



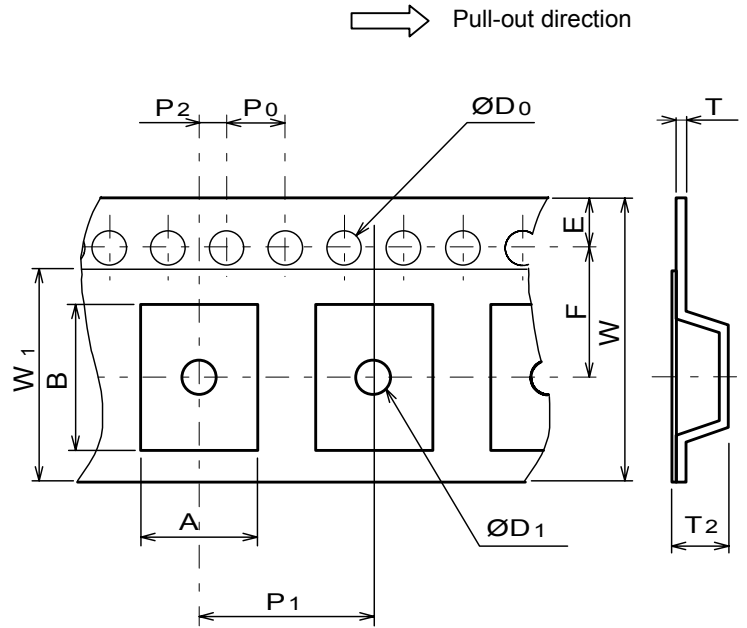
Pull-out beginning : Empty part more than 20 embosses + Cover tape more than one around reel  
 Pull-out end : Empty part more than 20 embosses

# TAPING DIMENSIONS

• DMP24/SDMP30 (TE1, TE2)

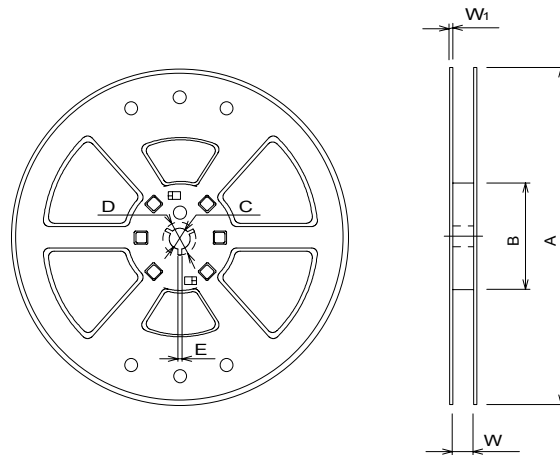
Symbol	Size	Remark
A	11.0	Bottom size
B	16.0	Bottom size
D <sub>0</sub>	1.5 <sup>+0.1</sup> <sub>-0</sub>	
D <sub>1</sub>	2.0 <sup>+0.1</sup> <sub>-0</sub>	
E	1.75±0.1	
F	11.5±0.1	
P <sub>0</sub>	4.0±0.1	
P <sub>1</sub>	16.0±0.1	
P <sub>2</sub>	2.0±0.1	
T	0.3±0.05	
T <sub>2</sub>	3.3	
W	24.0±0.3	
W <sub>1</sub>	21.0	Thickness 0.1MAX

Unit : mm



Symbol	Size
A	Ø330±2
B	Ø80±1
C	Ø13±0.2
D	Ø21±0.8
E	2±0.5
W	25.5±1.0
W <sub>1</sub>	2.0±0.2

Unit : mm



Pull-out beginning : Empty part more than 20 embosses + Cover tape more than one around reel  
 Pull-out end : Empty part more than 20 embosses

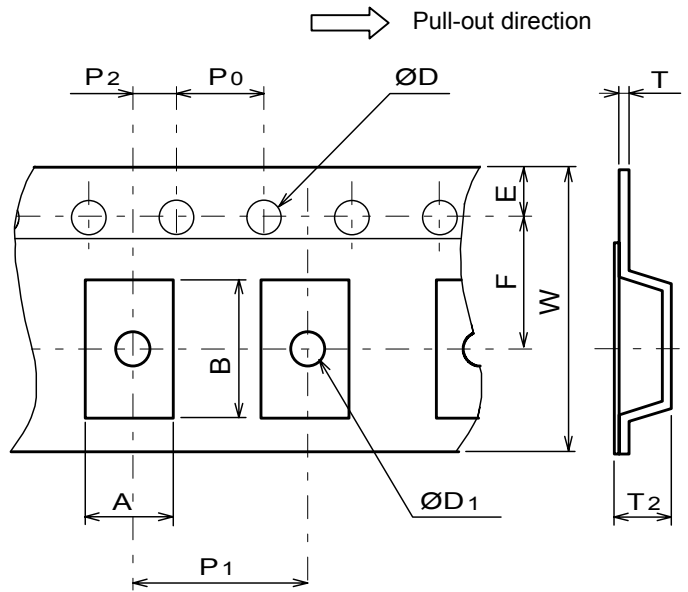
# TAPING DIMENSIONS

## (2) Emboss Carrier Taping Dimensions for SOP

### • SOP8/18/22/28 (TE1, TE2)

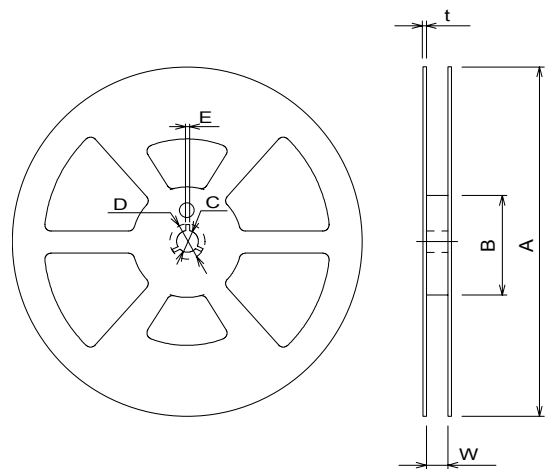
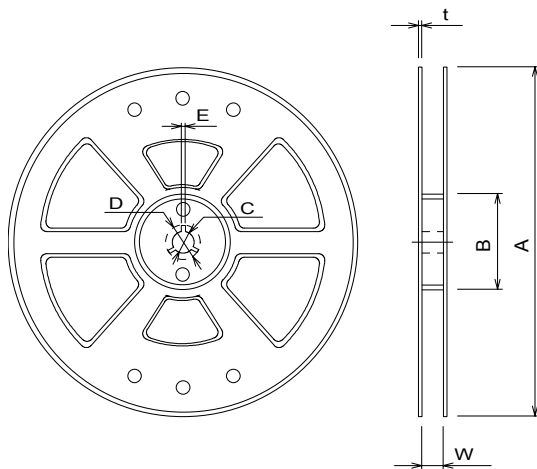
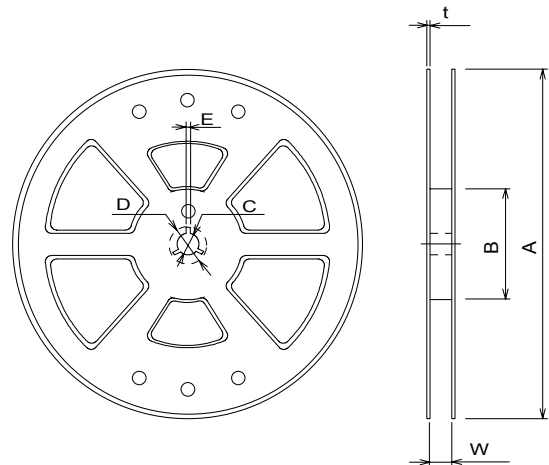
	SOP8	SOP18	SOP22	SOP28
Symbol	Size	Size	Size	Size
A	6.7±0.1	8.4±0.1	8.4±0.1	10.8±0.1
B	5.55±0.1	12.0±0.1	14.5±0.1	19.2±0.1
D	1.55±0.05	1.55±0.05	1.55±0.05	1.55±0.05
D <sub>1</sub>	2.05±0.05	2.05±0.05	2.05±0.05	2.05±0.05
E	1.75±0.1	1.75±0.1	1.75±0.1	1.75±0.1
F	5.5±0.05	11.5±0.05	11.5±0.05	11.5±0.05
P <sub>0</sub>	4.0±0.1	4.0±0.1	4.0±0.1	4.0±0.1
P <sub>1</sub>	8.0±0.1	12.0±0.1	12.0±0.1	12.0±0.1
P <sub>2</sub>	2.0±0.05	2.0±0.05	2.0±0.05	2.0±0.05
T	0.3±0.05	0.3±0.05	0.3±0.05	0.3±0.05
T <sub>2</sub>	2.46	2.86	2.86	3.46
W	12.0±0.2	24.0±0.3	24.0±0.3	24.0±0.3

Unit : mm



	SOP8	SOP18/22/28
Symbol	Size	Size
A	Ø330±2	Ø330±2
B	Ø80±1	Ø80±1
C	Ø13±0.2	Ø13±0.2
D	Ø21±0.8	Ø21±0.8
E	2±0.5	2±0.5
W	13.5±0.5	25.5±0.5
t	2±0.2	2±0.2

Unit : mm



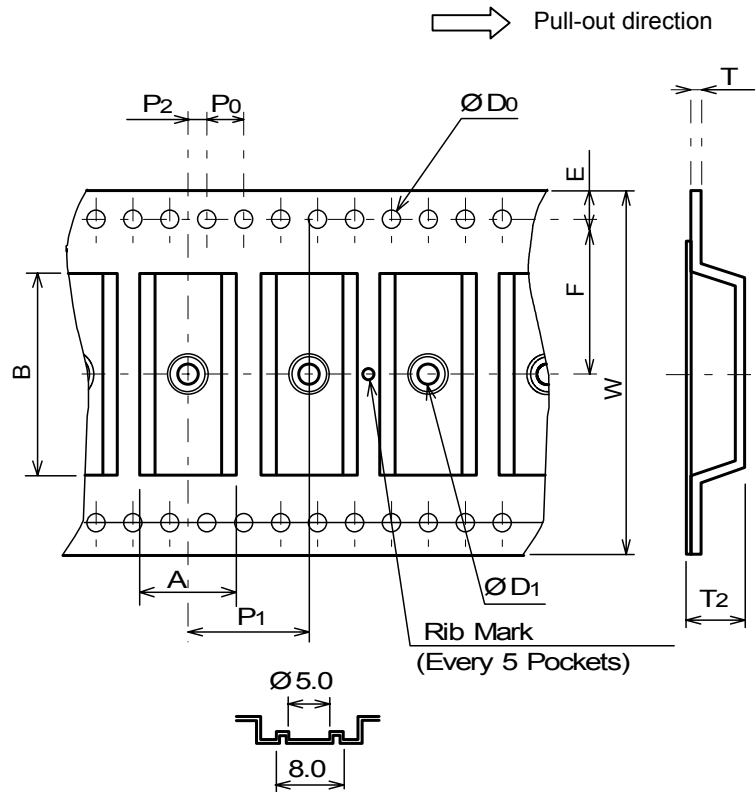
Pull-out beginning : Empty part more than 500mm + Cover tape more than 400mm  
 Pull-out end : Empty part more than 500mm + Cover tape more than 400mm

# TAPING DIMENSIONS

• SOP40 (TE1, TE2)

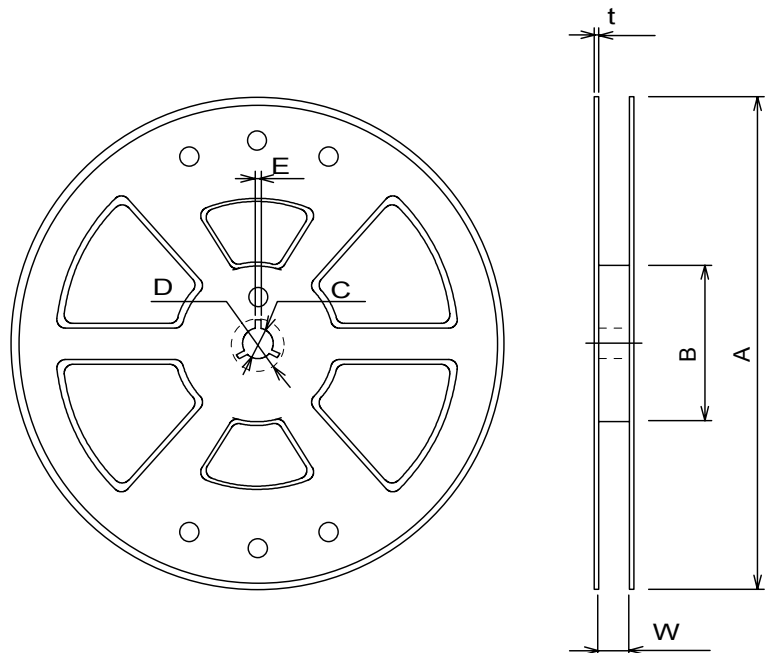
Symbol	Size	Remark
A	12.4	Bottom size
B	27.2	Bottom size
D <sub>0</sub>	1.55	
D <sub>1</sub>	2.05	
E	1.75	
F	20.2	
P <sub>0</sub>	4.0	
P <sub>1</sub>	16.0	
P <sub>2</sub>	2.0	
T	3.96	
T <sub>2</sub>	3.0	
W	44.0	

Unit : mm



Symbol	Size
A	∅330±2
B	∅80±1
C	∅13±0.2
D	∅21±0.8
E	2±0.5
W	45.5±0.5
t	2

Unit : mm



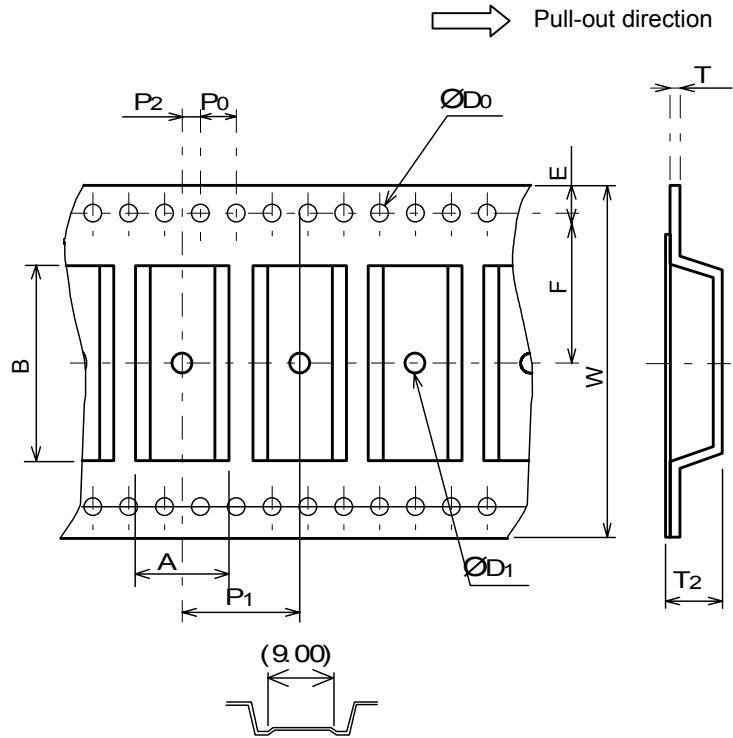
Pull-out beginning : Empty part more than 20 embosses + Cover tape more than one around reel  
 Pull-out end : Empty part more than 20 embosses

# TAPING DIMENSIONS

• SOP40-K1 (TE1, TE2)

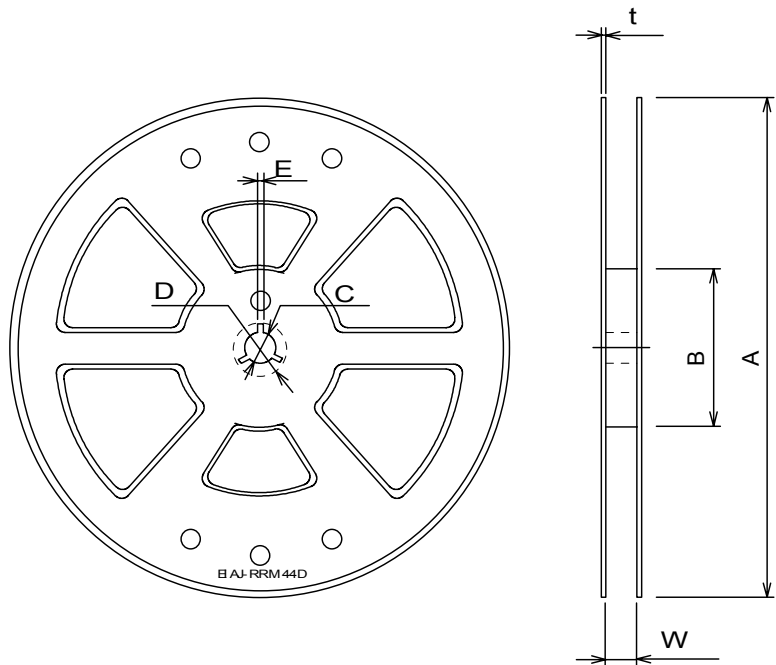
Symbol	Size	Remark
A	14.7±0.1	Bottom size
B	26.6±0.1	Bottom size
D <sub>0</sub>	1.50 <sup>+0.1</sup> <sub>-0</sub>	
D <sub>1</sub>	2.20±0.1	
E	1.75±0.1	
F	20.20±0.1	
P <sub>0</sub>	4.00±0.1	
P <sub>1</sub>	24.00±0.1	
P <sub>2</sub>	2.00±0.15	
T	0.30±0.05	
T <sub>2</sub>	3.40±0.1	
W	44.00±0.3	

Unit : mm



Symbol	Size
A	∅330±2
B	∅80±1
C	∅13±0.5
D	∅21±0.8
E	2±0.5
W	45.5±1
t	2

Unit : mm



Pull-out beginning : Empty part more than 20 embosses + Cover tape more than one around reel  
 Pull-out end : Empty part more than 20 embosses

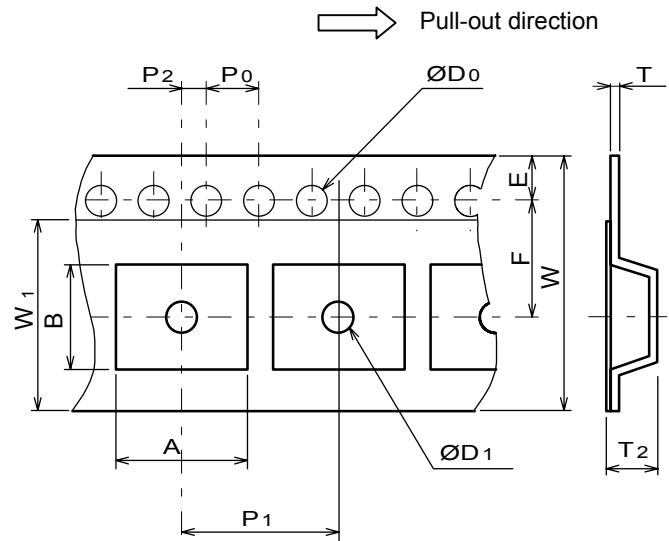


## (3) Emboss Carrier Taping Dimensions for EMP

### • EMP8/14(TE1, TE2)

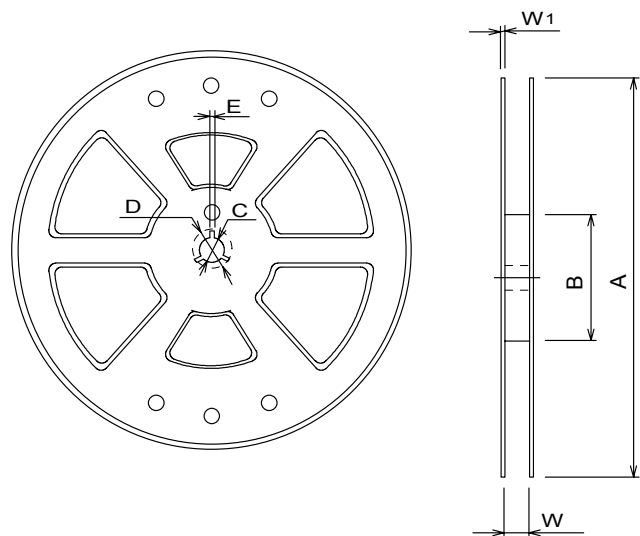
	EMP8	EMP14	
Symbol	Size	Size	Remark
A	6.6	6.6	Bottom
B	5.4	9.1	Bottom
D <sub>0</sub>	1.5 <sup>+0.1</sup> <sub>-0</sub>	1.5 <sup>+0.1</sup> <sub>-0</sub>	
D <sub>1</sub>	1.7±0.1	1.7±0.1	
E	1.75±0.1	1.75±0.1	
F	5.5±0.05	7.5±0.1	
P <sub>0</sub>	4.0±0.1	4.0±0.1	
P <sub>1</sub>	8.0±0.1	8.0±0.1	
P <sub>2</sub>	2.0±0.05	2.0±0.1	
T	0.3±0.05	0.3±0.05	
T <sub>2</sub>	2.2	2.2	
W	12.0±0.3	16.0±0.3	
W <sub>1</sub>	9.5	13.5	Thickness 0.1MAX

Unit : mm



	EMP8	EMP14
Symbol	Size	Size
A	Ø330±2	Ø330±2
B	Ø80±1	Ø80±1
C	Ø13±0.2	Ø13±0.2
D	Ø21±0.8	Ø21±0.8
E	2±0.5	2±0.5
W	13.5±0.5	17.5±0.5
W <sub>1</sub>	2±0.2	2±0.2

Unit : mm



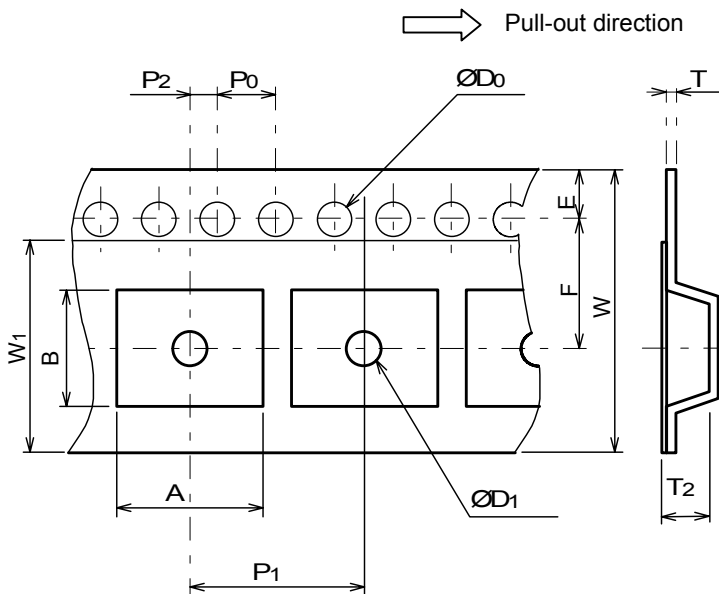
Pull-out beginning : Empty part more than 20 embosses + Cover tape more than one around reel  
 Pull-out end : Empty part more than 20 embosses

# TAPING DIMENSIONS

• EMP14-E2 (TE1, TE2)

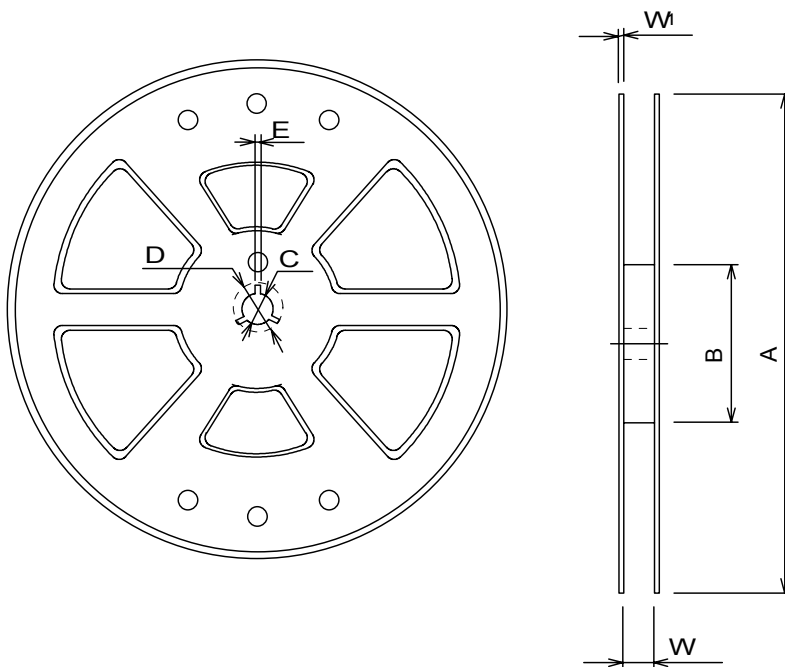
Symbol	Size	Remark
A	6.5	Bottom size
B	9.5	Bottom size
D <sub>0</sub>	1.5	
D <sub>1</sub>	2.0±0.1	
E	1.75±0.1	
F	7.5±0.1	
P <sub>0</sub>	4.0±0.1	
P <sub>1</sub>	8.0±0.1	
P <sub>2</sub>	2.0±0.1	
T	0.3±0.05	
T <sub>2</sub>	2.1	
W	16.0±0.3	
W <sub>1</sub>	13.5	Thickness 0.1MAX

Unit : mm



Symbol	Size
A	Ø330±2
B	Ø80±1
C	Ø13±0.2
D	Ø21±0.8
E	2±0.5
W	17.5±0.5
W <sub>1</sub>	2±0.2

Unit : mm



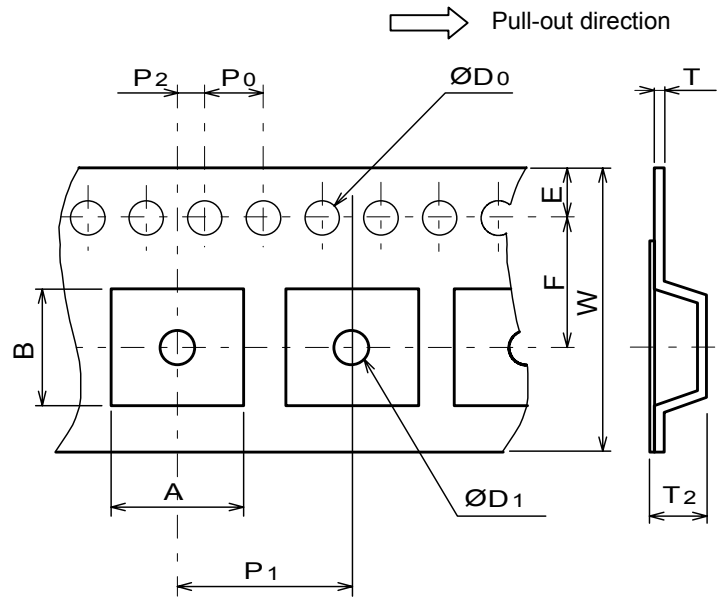
Pull-out beginning : Empty part more than 20 embosses + Cover tape more than one around reel  
 Pull-out end : Empty part more than 20 embosses

# TAPING DIMENSIONS

• EMP16-E2 (TE1, TE2)

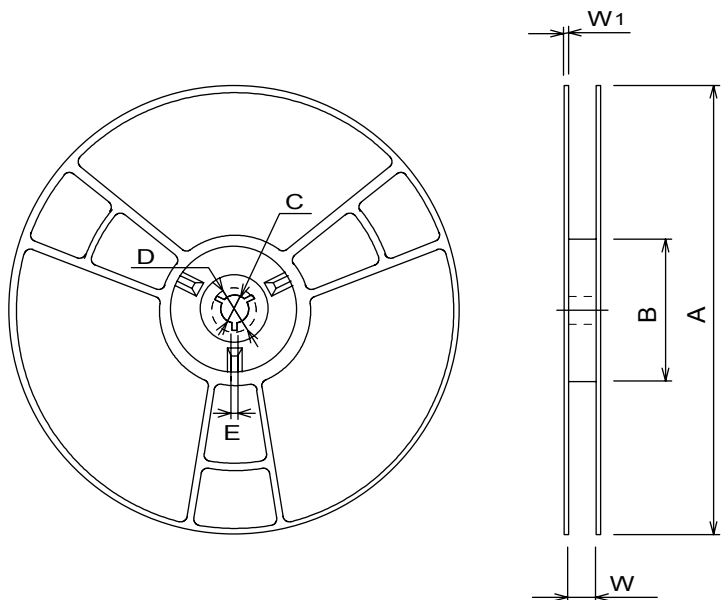
Symbol	Size	Remark
A	10.9	Bottom size
B	10.7	Bottom size
D <sub>0</sub>	1.5 <sup>+0.1</sup> <sub>-0</sub>	
D <sub>1</sub>	1.6±0.1	
E	1.75±0.1	
F	7.5±0.1	
P <sub>0</sub>	4.0±0.1	
P <sub>1</sub>	12.0±0.1	
P <sub>2</sub>	2.0±0.1	
T	0.3±0.05	
T <sub>2</sub>	3.0±0.1	
W	16.0±0.3	

Unit : mm



Symbol	Size
A	Ø330±2
B	Ø100±1
C	Ø13 <sup>+0.5</sup> <sub>-0.2</sub>
D	Ø20.2MIN
E	2±0.5
W	16.8 <sup>+0.6</sup> <sub>-0.4</sub>
W <sub>1</sub>	2±0.2

Unit : mm



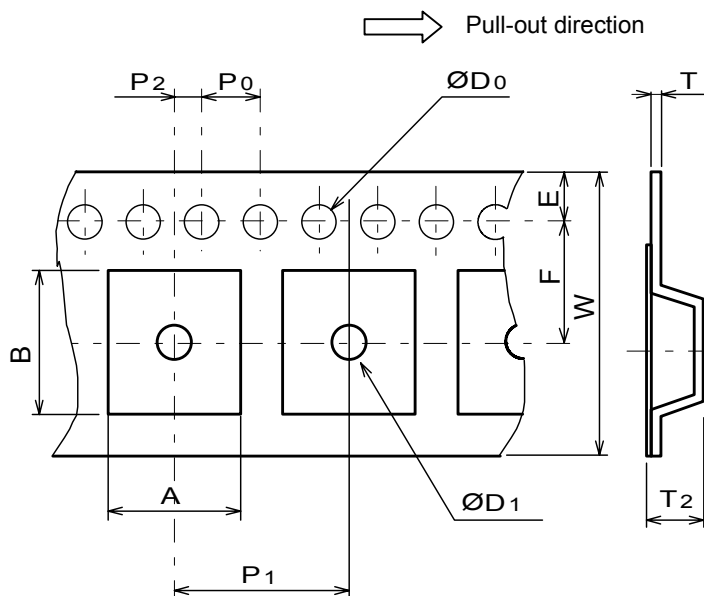
Pull-out beginning : Empty part more than 20 embosses + Cover tape more than one around reel  
 Pull-out end : Empty part more than 20 embosses

# TAPING DIMENSIONS

• EMP20-E2 (TE1, TE2)

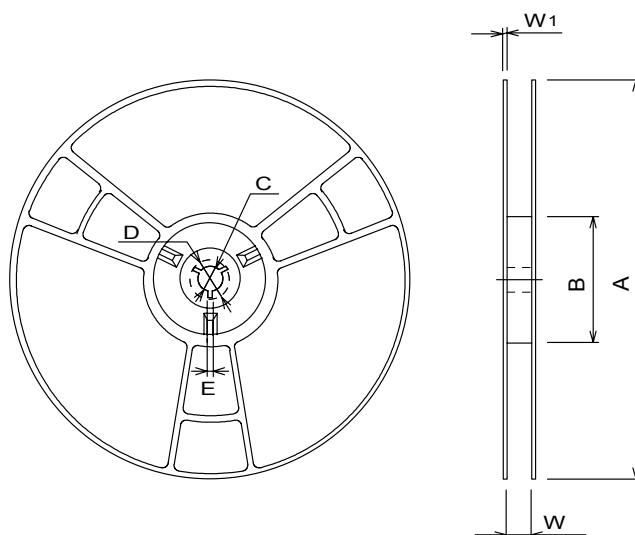
Symbol	Size	Remark
A	10.9	Bottom size
B	13.3	Bottom size
D <sub>0</sub>	1.5 <sup>+0.1</sup> <sub>-0</sub>	
D <sub>1</sub>	1.55±0.1	
E	1.75±0.1	
F	11.5±0.1	
P <sub>0</sub>	4.0±0.1	
P <sub>1</sub>	12.0±0.1	
P <sub>2</sub>	2.0±0.1	
T	0.3±0.05	
T <sub>2</sub>	3.0±0.1	
W	24.0±0.3	

Unit : mm



Symbol	Size
A	Ø330±2
B	Ø100±1
C	Ø13 <sup>+0.5</sup> <sub>-0.2</sub>
D	Ø20.2MIN
E	2±0.5
W	24.8 <sup>+0.6</sup> <sub>-0.4</sub>
W <sub>1</sub>	2±0.2

Unit : mm

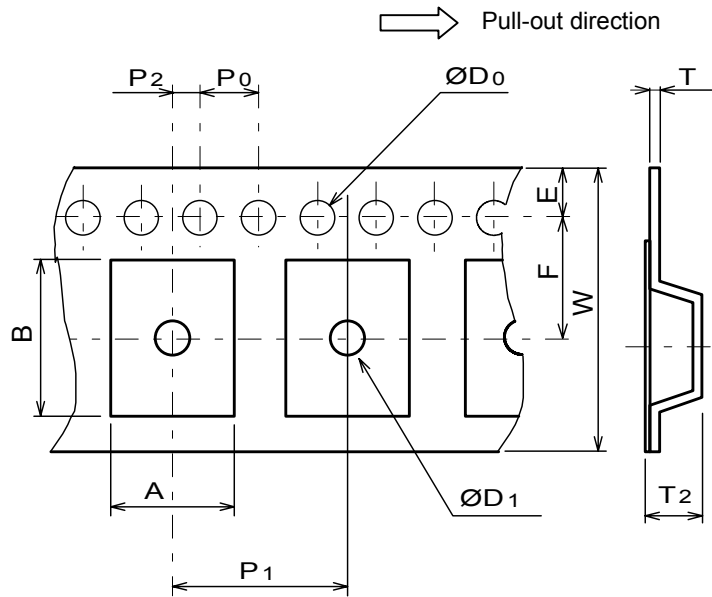


Pull-out beginning : Empty part more than 20 embosses + Cover tape more than one around reel  
 Pull-out end : Empty part more than 20 embosses

• EMP24-E3 (TE1, TE2)

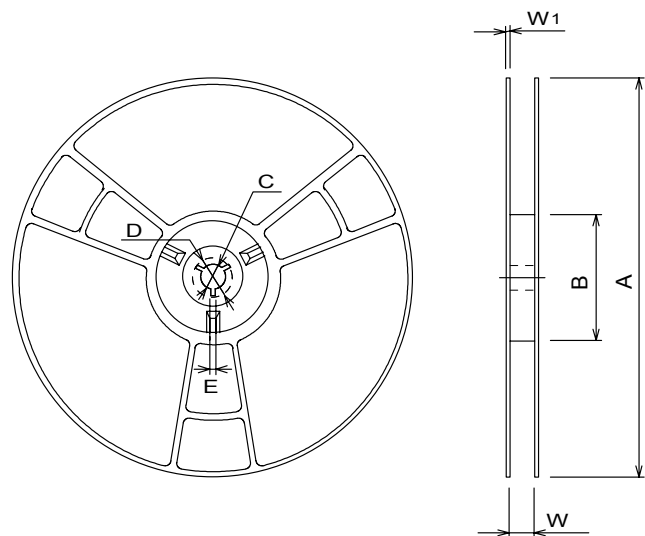
Symbol	Size	Remark
A	10.9	Bottom size
B	16.0	Bottom size
D <sub>0</sub>	1.5 <sup>+0.1</sup> <sub>-0</sub>	
D <sub>1</sub>	1.55±0.1	
E	1.75±0.1	
F	11.5±0.1	
P <sub>0</sub>	4.0±0.1	
P <sub>1</sub>	12.0±0.1	
P <sub>2</sub>	2.0±0.1	
T	0.3±0.05	
T <sub>2</sub>	3.0±0.1	
W	24.0±0.3	

Unit : mm



Symbol	Size
A	Ø330±2
B	Ø100±1
C	Ø13 <sup>+0.5</sup> <sub>-0.2</sub>
D	Ø20.2MIN
E	2±0.5
W	24.8 <sup>+0.6</sup> <sub>-0.4</sub>
W <sub>1</sub>	2±0.2

Unit : mm



Pull-out beginning : Empty part more than 20 embosses + Cover tape more than one around reel  
 Pull-out end : Empty part more than 20 embosses

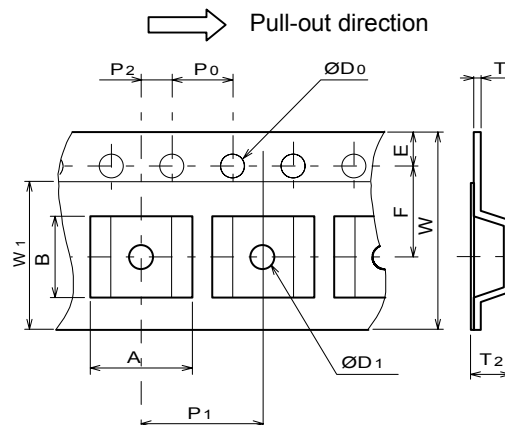
# TAPING DIMENSIONS

## (4) Emboss Carrier Taping Dimensions for SSOP

### • SSOP8/10/14/16/20/20-B2(TE1, TE2)

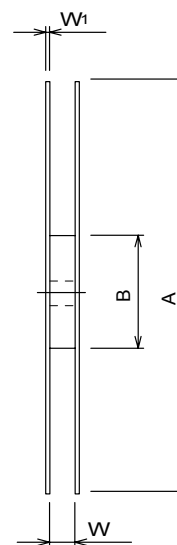
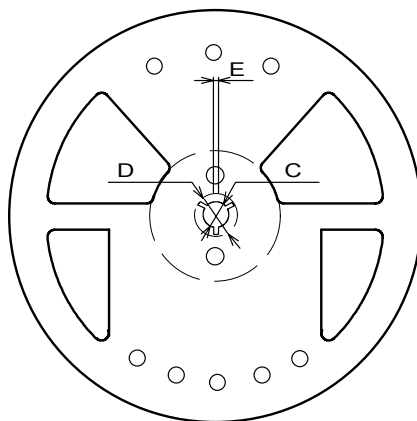
	SSOP8/10	SSOP14/16/20-B2	SSOP20	
Symbol	Size	Size	Size	Remark
A	6.7	6.95	6.7	Bottom size
B	3.9	5.4	6.9	Bottom size
D <sub>0</sub>	1.55±0.05	1.55±0.05	1.55±0.05	
D <sub>1</sub>	1.55±0.1	1.55±0.1	1.55±0.1	
E	1.75±0.1	1.75±0.1	1.75±0.1	
F	5.5±0.05	5.5±0.05	5.5±0.05	
P <sub>0</sub>	4.0±0.1	4.0±0.1	4.0±0.1	
P <sub>1</sub>	8.0±0.1	8.0±0.1	8.0±0.1	
P <sub>2</sub>	2.0±0.05	2.0±0.05	2.0±0.05	
T	0.3±0.05	0.3±0.05	0.3±0.05	
T <sub>2</sub>	2.2	2.2	2.2	
W	12.0±0.3	12.0±0.3	12.0±0.3	
W <sub>1</sub>	9.5	9.5	9.5	Thickness 0.1MAX

Unit : mm



Symbol	Size
A	Ø254±2
B	Ø100±1
C	Ø13±0.2
D	Ø21±0.8
E	2±0.5
W	13.5±0.5
W <sub>1</sub>	2±0.2

Unit : mm

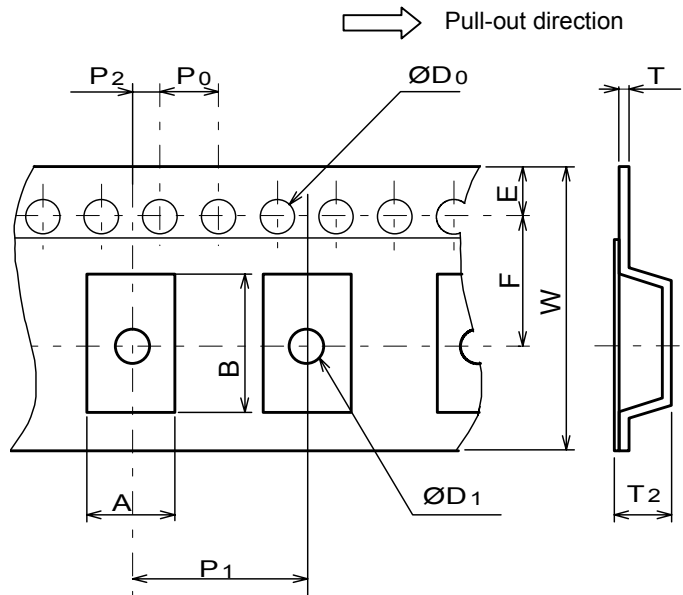


Pull-out beginning : Empty part more than 20 embosses + Cover tape more than one around reel  
 Pull-out end : Empty part more than 20 embosses

• SSOP20-F1/24(TE1, TE2)

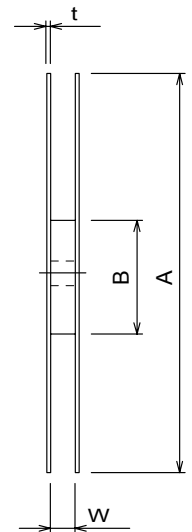
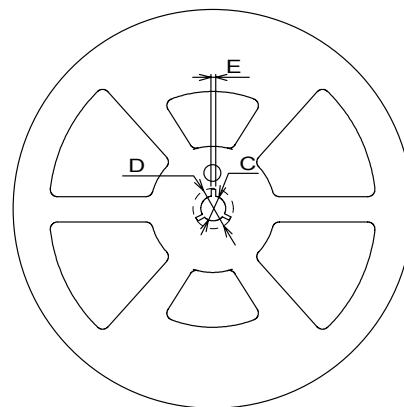
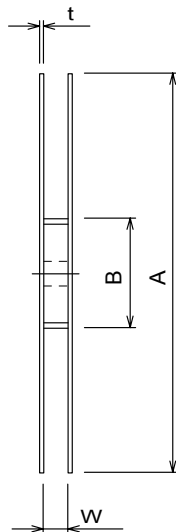
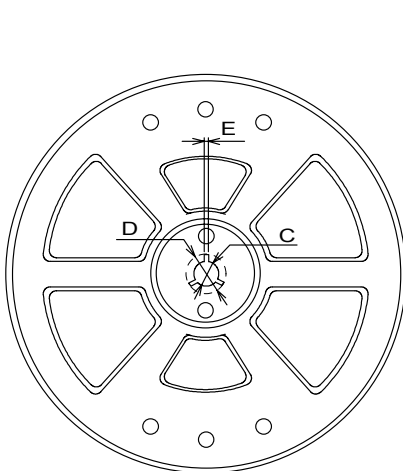
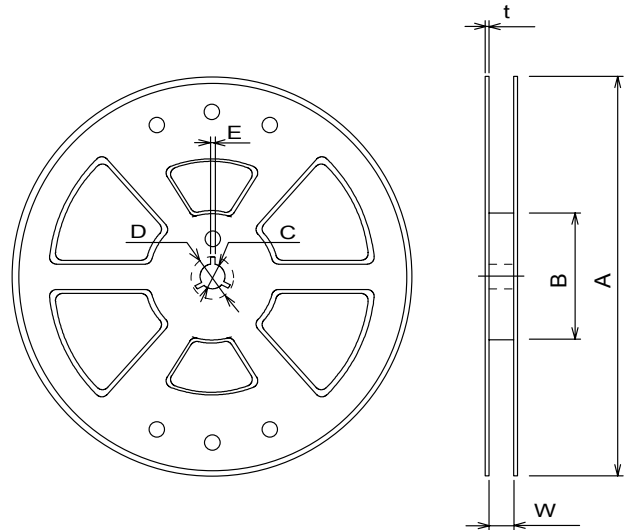
	SSOP20-F1	SSOP24
Symbol	Size	Size
A	8.4±0.1	8.3±0.1
B	9.3±0.1	10.6±0.1
D <sub>0</sub>	1.55±0.05	1.55±0.05
D <sub>1</sub>	1.55±0.05	2.05±0.05
E	1.75±0.1	1.75±0.1
F	7.5±0.05	7.5±0.05
P <sub>0</sub>	4.0±0.1	4.0±0.1
P <sub>1</sub>	12.0±0.1	12.0±0.1
P <sub>2</sub>	2.0±0.05	2.0±0.05
T	0.3±0.05	0.3±0.05
T <sub>2</sub>	2.86	2.76
W	16.0±0.3	16.0±0.3

Unit : mm



Symbol	Size
A	Ø330±2
B	Ø80±1
C	Ø13±0.2
D	Ø21±0.8
E	2±0.5
W	17.5±0.5
t	2±0.2

Unit : mm



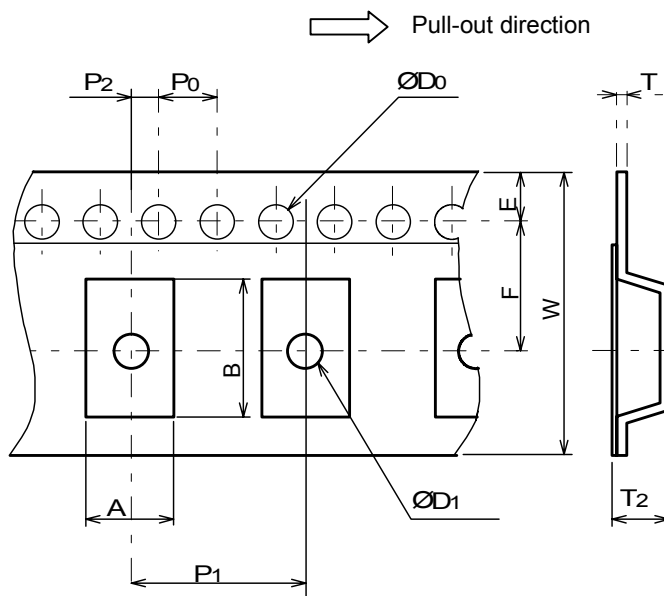
Pull-out beginning : Empty part more than 20 embosses + Cover tape more than one around reel  
 Pull-out end : Empty part more than 20 embosses

# TAPING DIMENSIONS

## • SSOP24-E1(TE1, TE2)

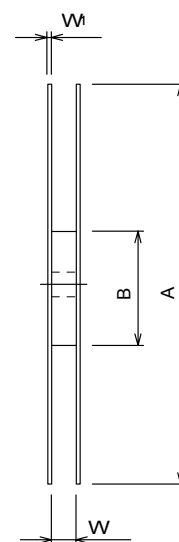
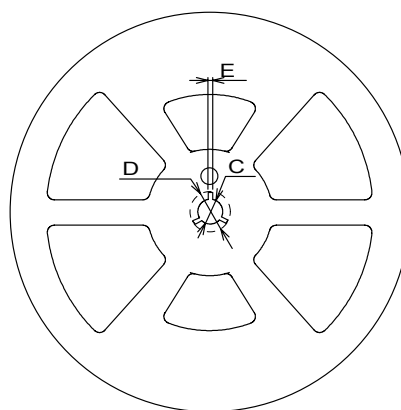
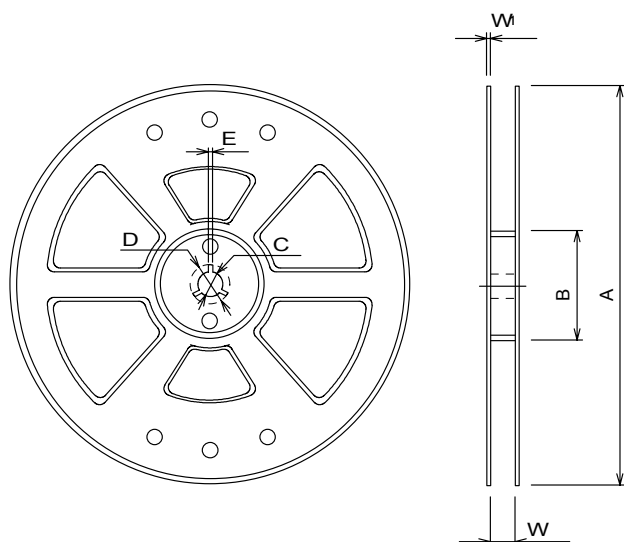
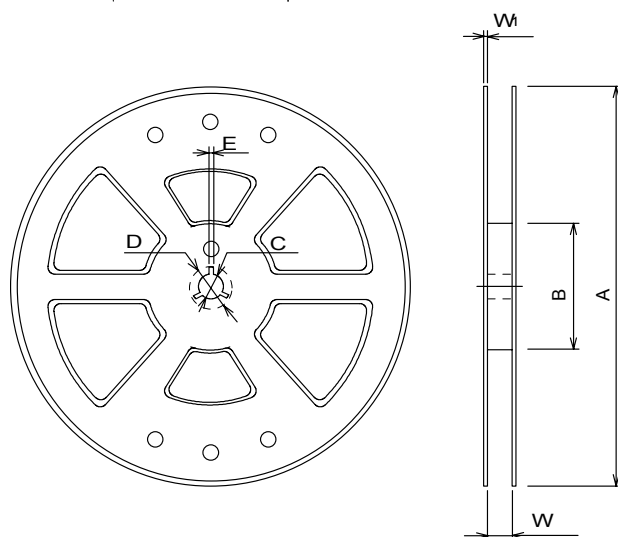
Symbol	Size
A	8.15
B	8.4
D <sub>0</sub>	1.55±0.05
D <sub>1</sub>	1.55±0.05
E	1.75±0.1
F	7.5±0.05
P <sub>0</sub>	4.0±0.1
P <sub>1</sub>	12.0±0.1
P <sub>2</sub>	2.0±0.05
T	0.3±0.05
T <sub>2</sub>	2.36
W	16.0±0.3

Unit : mm



Symbol	Size
A	Ø330±2
B	Ø80±1
C	Ø13±0.2
D	Ø21±0.8
E	2±0.5
W	17.5±0.5
W <sub>1</sub>	2±0.2

Unit : mm



Pull-out beginning : Empty part more than 500mm + Cover tape more than 400mm  
 Pull-out end : Empty part more than 400mm

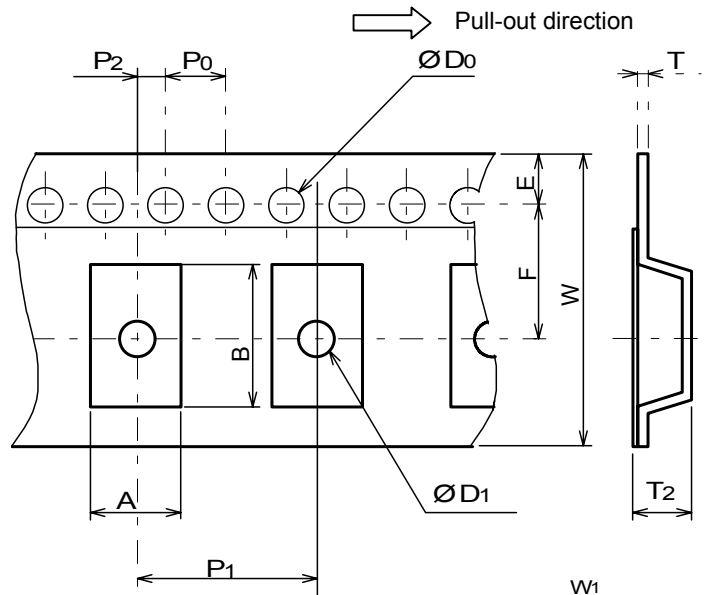


# TAPING DIMENSIONS

## • SSOP28(TE1, TE2)

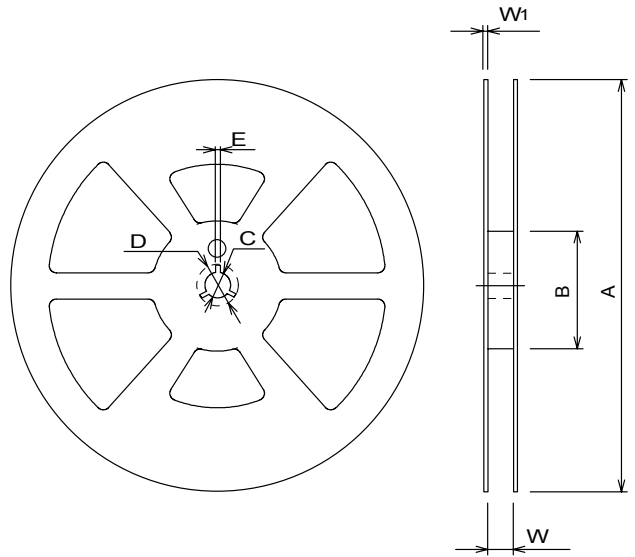
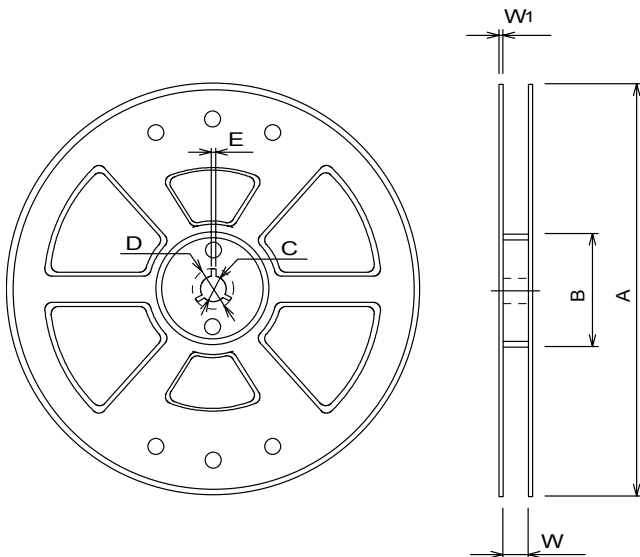
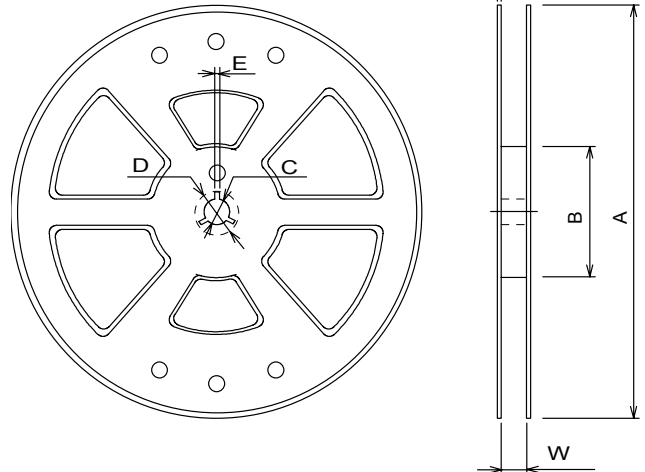
Symbol	Size
A	8.1±0.1
B	10.1±0.1
D <sub>0</sub>	1.55±0.05
D <sub>1</sub>	1.55±0.05
E	1.75±0.1
F	7.5±0.05
P <sub>0</sub>	4.0±0.1
P <sub>1</sub>	12.0±0.1
P <sub>2</sub>	2.0±0.05
T	0.3±0.05
T <sub>2</sub>	2.26
W	16.0±0.3

Unit : mm



Symbol	Size
A	Ø330±2
B	Ø80±1
C	Ø13±0.2
D	Ø21±0.8
E	2±0.5
W	13.5±0.5
W <sub>1</sub>	2±0.2

Unit : mm



Pull-out beginning : Empty part more than 500mm + Cover tape more than 400mm  
 Pull-out end : Empty part more than 400mm

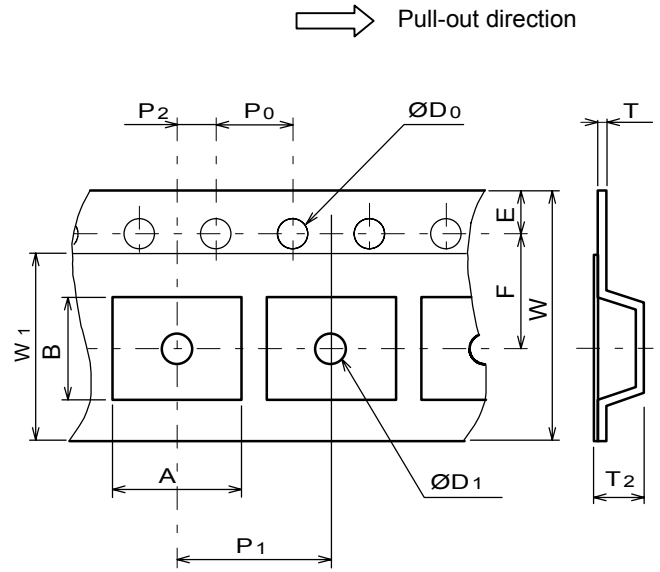
# TAPING DIMENSIONS

## (5) Emboss Carrier Taping Dimensions for VSP

### • VSP8/10, TVSP8/10 (TE1, TE2)

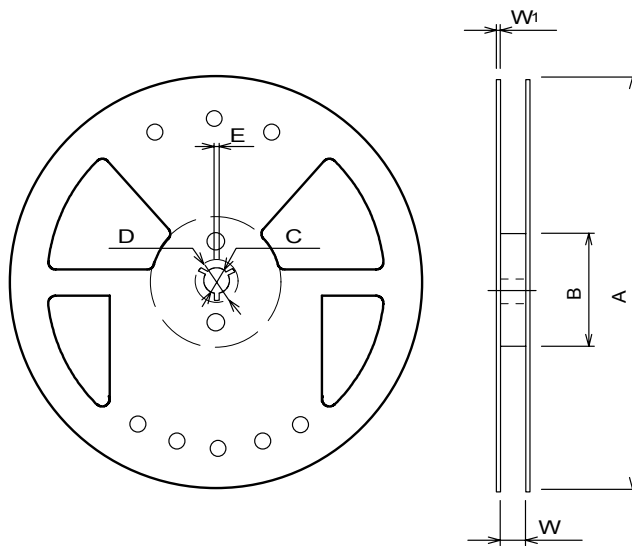
	VSP8/10	TVSP8/10	
Symbol	Size	Size	Remark
A	4.4	4.4	Bottom size
B	3.2	3.2	Bottom size
D <sub>0</sub>	1.5 <sup>+0.1</sup> <sub>-0</sub>	1.5 <sup>+0.1</sup> <sub>-0</sub>	
D <sub>1</sub>	1.5 <sup>+0.1</sup> <sub>-0</sub>	1.5 <sup>+0.1</sup> <sub>-0</sub>	
E	1.75±0.1	1.75±0.1	
F	5.5±0.05	5.5±0.05	
P <sub>0</sub>	4.0±0.1	4.0±0.1	
P <sub>1</sub>	8.0±0.1	8.0±0.1	
P <sub>2</sub>	2.0±0.05	2.0±0.05	
T	0.3±0.05	0.3±0.05	
T <sub>2</sub>	2.0(MAX)	1.75(MAX)	
W	12.0±0.3	12.0±0.3	
W <sub>1</sub>	9.5	9.5	Thickness 0.1MAX

Unit : mm



Symbol	Size
A	Ø254±2
B	Ø100±1
C	Ø13±0.2
D	Ø21±0.8
E	2±0.5
W	13.5±0.5
W <sub>1</sub>	2±0.2

Unit : mm



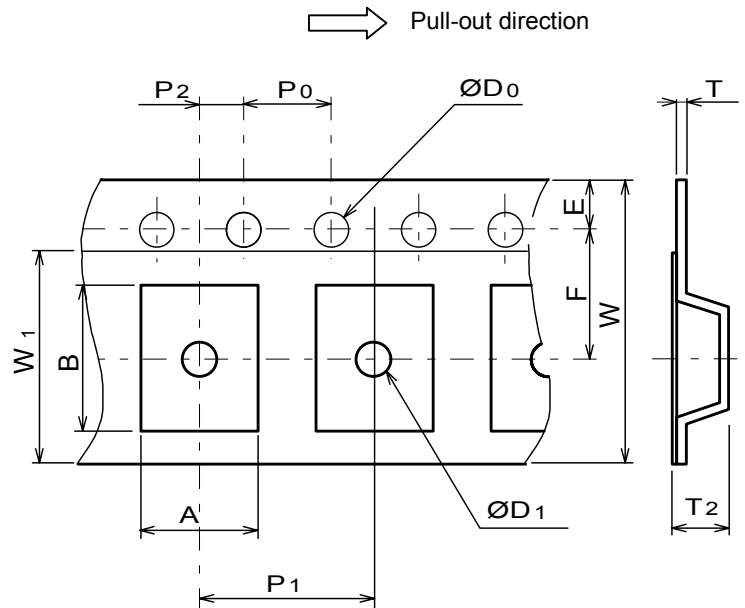
Pull-out beginning : Empty part more than 20 embosses + Cover tape more than one around reel  
 Pull-out end : Empty part more than 20 embosses

## (6) Emboss Carrier Taping Dimensions for TO

### • TO-252 (DL1) 3pin (TE1, TE2)

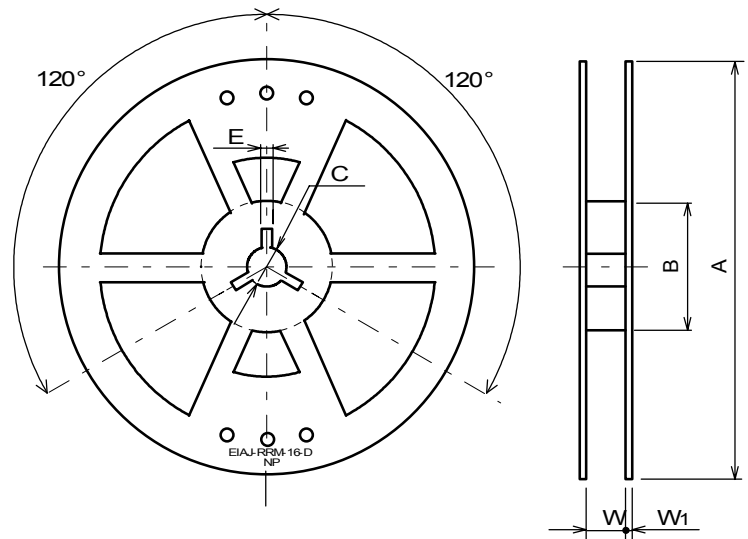
Symbol	Size	Remark
A	6.9±0.1	Bottom size
B	10.5±0.1	Bottom size
D <sub>0</sub>	1.5 <sup>+0.1</sup> <sub>-0</sub>	
D <sub>1</sub>	1.5 <sup>+0.1</sup> <sub>-0</sub>	
E	1.75±0.1	
F	7.5±0.1	
P <sub>0</sub>	4.0±0.1	
P <sub>1</sub>	8.0±0.1	
P <sub>2</sub>	2.0±0.1	
T	0.3±0.1	
T <sub>2</sub>	3.4MAX	
W	16.0±0.3	
W <sub>1</sub>	13.5	Thickness 0.1MAX

Unit : mm



Symbol	Size
A	Ø330±2
B	Ø80±1
C	Ø13±0.5
E	2
W	17.5±0.5
t	2±0.5

Unit : mm



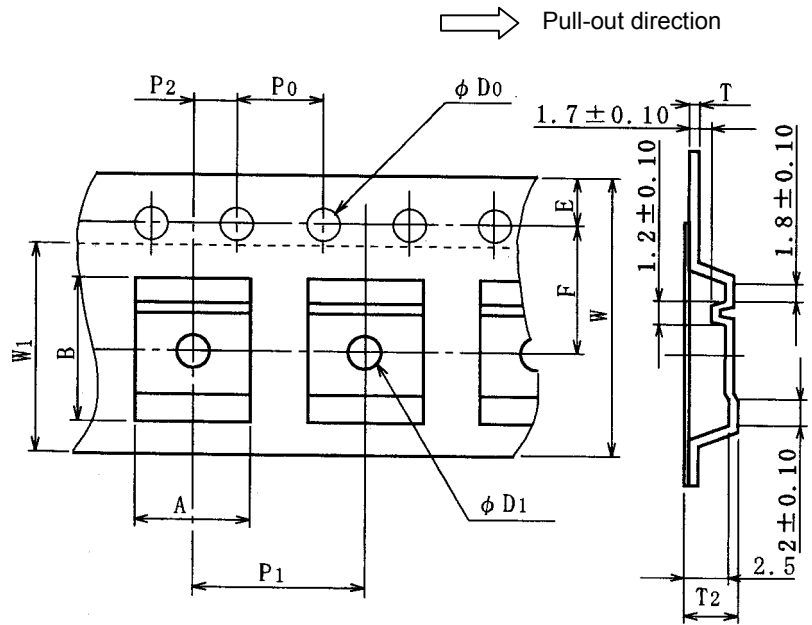
Pull-out beginning : Empty part more than 40mm + Cover tape more than 150mm  
 Pull-out end : Empty part more than 40mm

# TAPING DIMENSIONS

• TO-252 (DL2) 5pin (TE1, TE2)

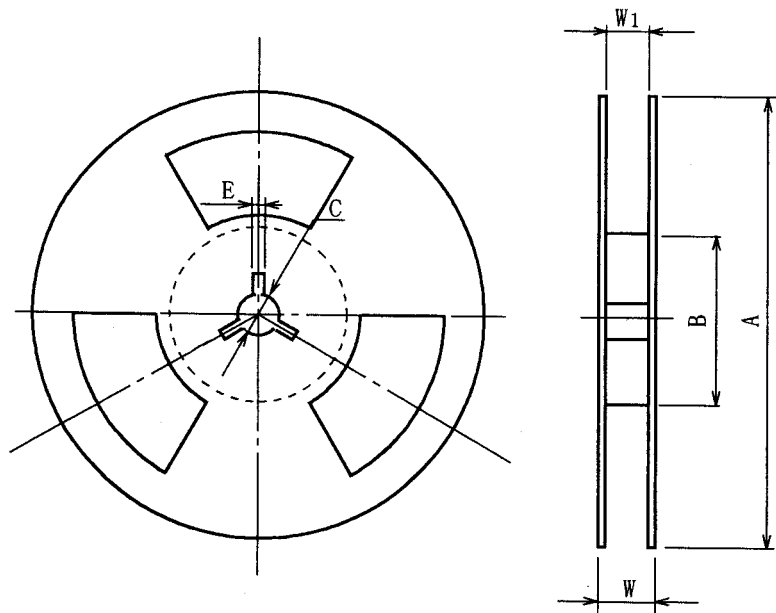
Symbol	Size	Remark
A	6.9±0.1	Bottom size
B	10.5±0.1	Bottom size
D <sub>0</sub>	1.5 <sup>+0.1</sup> <sub>-0</sub>	
D <sub>1</sub>	1.5MIN	
E	1.75	
F	7.5±0.1	
P <sub>0</sub>	4.0±0.1	
P <sub>1</sub>	8.0±0.1	
P <sub>2</sub>	2.0±0.1	
T	0.3±0.05	
T <sub>2</sub>	3.4MAX	
W	16.0±0.3	
W <sub>1</sub>	13.5	

Unit : mm



Symbol	Size
A	∅331.5MAX
B	∅100±0.5
C	∅13 <sup>+0.5</sup> <sub>-0.2</sub>
E	2.2±0.5
W	22.4MAX
W <sub>1</sub>	19.4MAX

Unit : mm



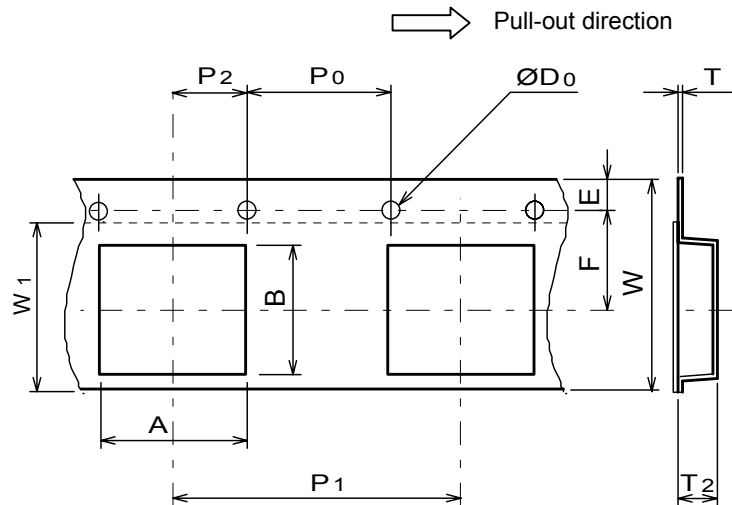
Pull-out beginning : Empty part more than 40mm + Cover tape more than 150mm  
 Pull-out end : Empty part more than 40mm

## (7) Emboss Carrier Taping Dimensions for SOT

### • SOT89 (TE1, TE2)

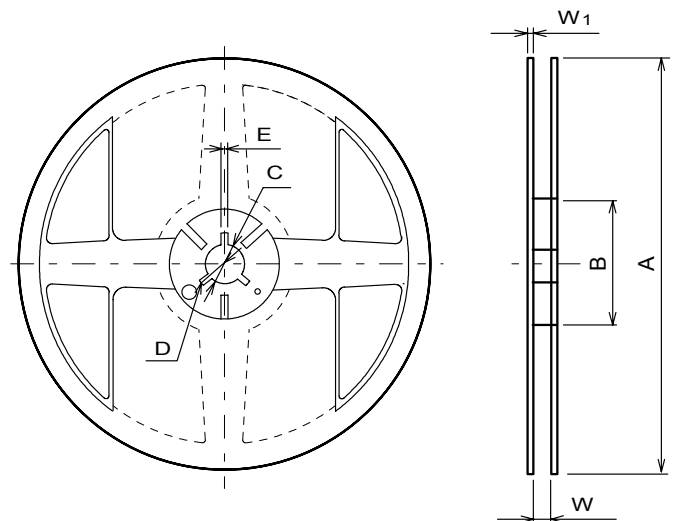
Symbol	Size	Remark
A	4.9±0.1	Bottom size
B	4.5±0.1	Bottom size
D <sub>0</sub>	1.5 <sup>+0.1</sup> <sub>-0</sub>	
E	1.5±0.1	
F	5.65±0.05	
P <sub>0</sub>	4.0±0.1	
P <sub>1</sub>	8.0±0.1	
P <sub>2</sub>	2.0±0.05	
T	0.3±0.05	
T <sub>2</sub>	2.0	
W	12.0±0.3	
W <sub>1</sub>	9.5	Thickness 0.1MAX

Unit : mm



Symbol	Size
A	∅180±1
B	∅60±1
C	∅13±0.2
D	∅21±0.8
E	2±0.5
W	13±0.5
W <sub>1</sub>	1.2±0.2

Unit : mm



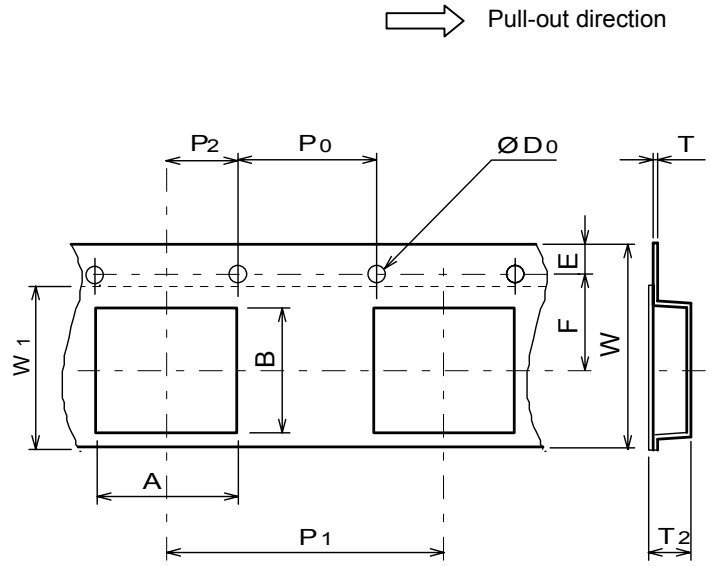
Pull-out beginning : Empty part more than 400mm + Cover tape more than 500mm  
 Pull-out end : Empty part more than 400mm

# TAPING DIMENSIONS

• SOT89 (5pin)(TE1, TE2)

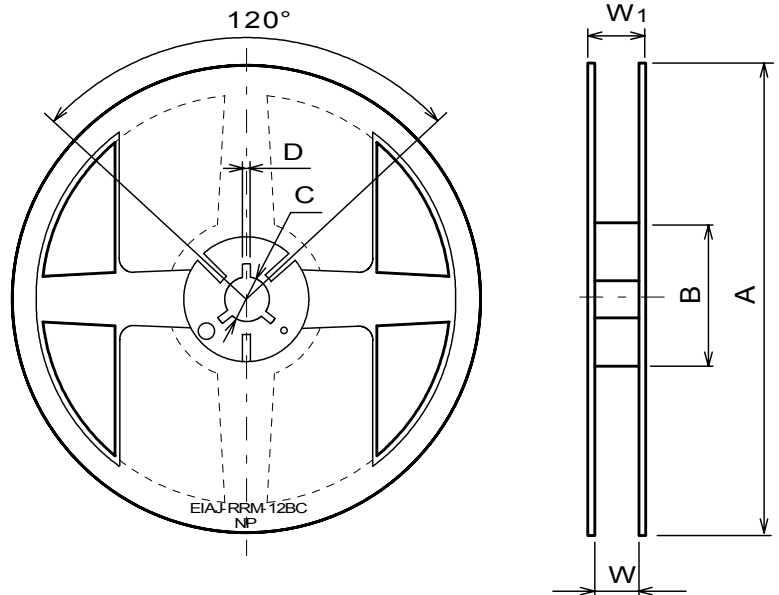
Symbol	Size	Remark
A	4.65	Bottom size
B	4.3	Bottom size
D <sub>0</sub>	1.5 <sup>+0.1</sup> <sub>-0</sub>	
E	1.5	
F	5.65	
P <sub>0</sub>	4.0±0.1	
P <sub>1</sub>	8.0±0.1	
P <sub>2</sub>	2.0	
T	0.3	
T <sub>2</sub>	2.3MAX	
W	12.0±0.2	
W <sub>1</sub>	9.5	Thickness 0.1MAX

Unit : mm



Symbol	Size
A	∅ 180 <sup>+0</sup> <sub>-3.0</sub>
B	∅ 60 <sup>+1.0</sup> <sub>-0</sub>
C	∅ 13±0.2
D	2±0.5
W	13±0.3
W <sub>1</sub>	16.5MAX

Unit : mm



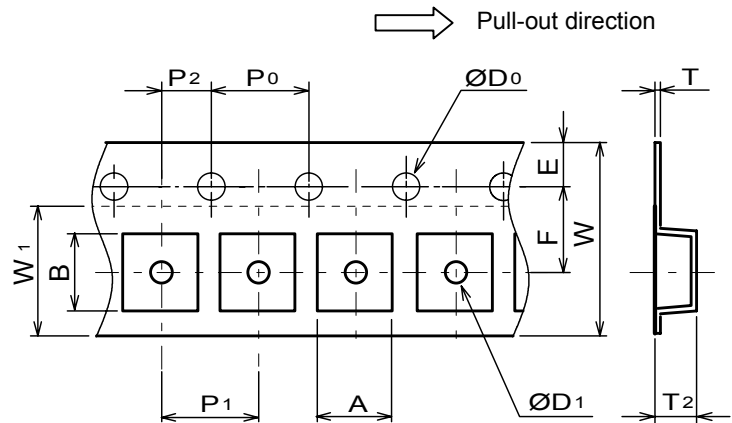
Pull-out beginning : Empty part more than 40mm + Cover tape more than 500mm  
 Pull-out end : Empty part more than 40mm

## (8) Emboss Carrier Taping Dimensions for SOT-23 (MTP)

### • SOT-23 (MTP5) (TE1, TE2)

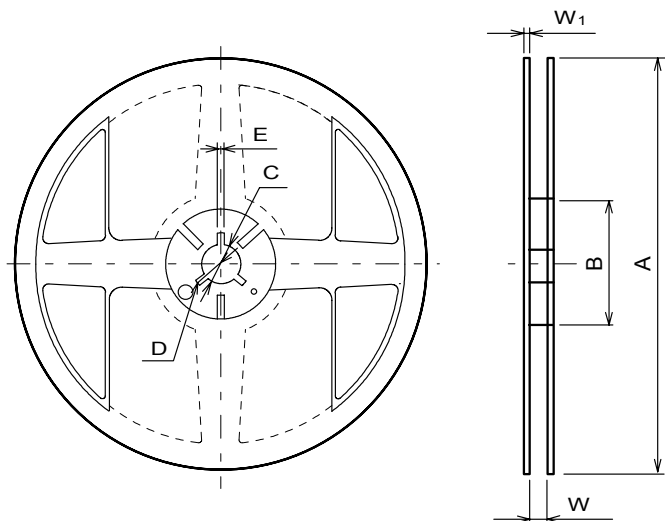
Symbol	Size	Remark
A	3.3±0.1	Bottom size
B	3.2±0.1	Bottom size
D <sub>0</sub>	1.55	
D <sub>1</sub>	1.05	
E	1.75±0.1	
F	3.5±0.05	
P <sub>0</sub>	4.0±0.1	
P <sub>1</sub>	4.0±0.1	
P <sub>2</sub>	2.0±0.05	
T	0.25±0.05	
T <sub>2</sub>	1.5	
W	8.0±0.3	
W <sub>1</sub>	5.5	Thickness 0.1MAX

Unit : mm



Symbol	Size
A	∅180±1
B	∅ 60±1
C	∅ 13±0.2
D	∅ 21±0.8
E	2±0.5
W	9±0.5
W <sub>1</sub>	1.2±0.2

Unit : mm



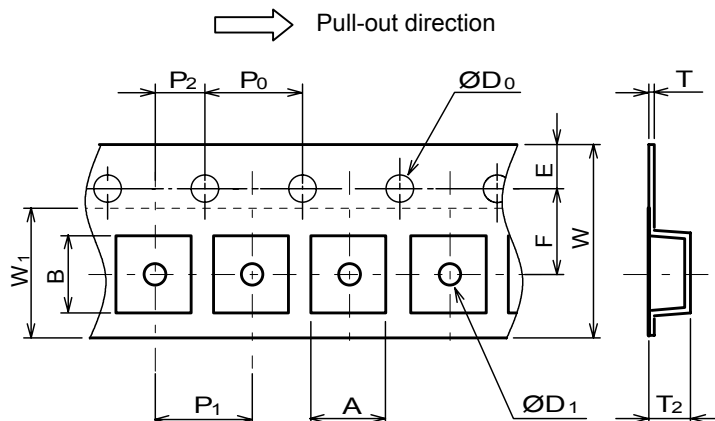
Pull-out beginning : Empty part more than 20 embosses + Cover tape more than one around reel  
 Pull-out end : Empty part more than 20 embosses

# TAPING DIMENSIONS

• SOT-23-6 (MTP6/6-1)(TE1, TE2)

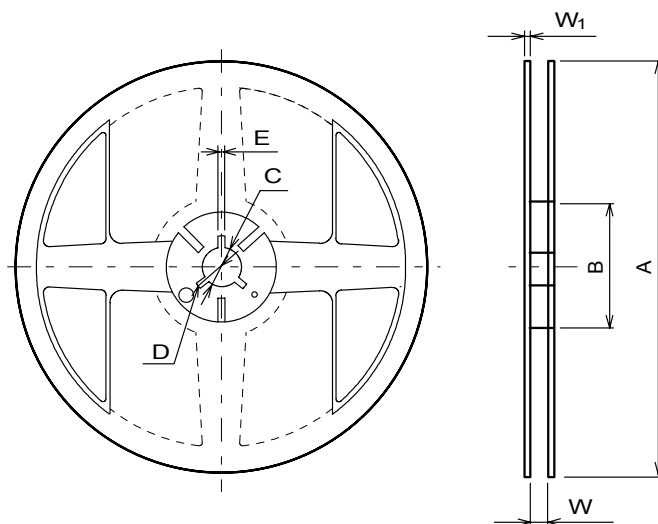
Symbol	Size	Remark
A	3.3±0.1	Bottom size
B	3.2±0.1	Bottom size
D <sub>0</sub>	1.55	
D <sub>1</sub>	1.05	
E	1.75±0.1	
F	3.5±0.05	
P <sub>0</sub>	4.0±0.1	
P <sub>1</sub>	4.0±0.1	
P <sub>2</sub>	2.0±0.05	
T	0.25±0.05	
T <sub>2</sub>	1.5	
W	8.0±0.3	
W <sub>1</sub>	5.5	Thickness 0.1MAX

Unit : mm



Symbol	Size
A	∅180±1
B	∅ 60±1
C	∅ 13±0.2
D	∅ 21±0.8
E	2±0.5
W	9±0.5
W <sub>1</sub>	1.2±0.2

Unit : mm



Pull-out beginning : Empty part more than 20 embosses + Cover tape more than one around reel  
 Pull-out end : Empty part more than 20 embosses

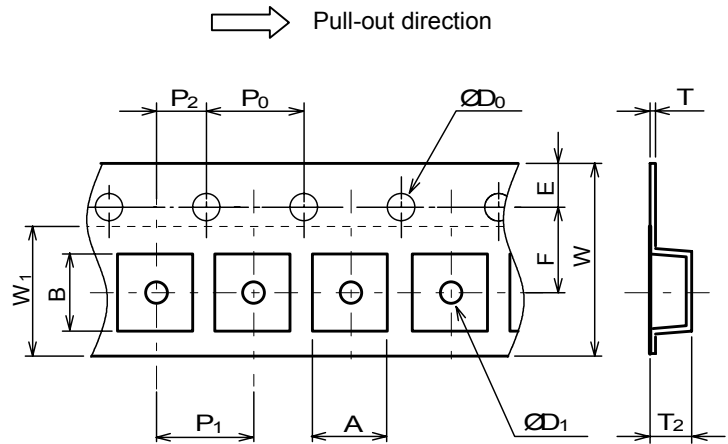


## (9) Emboss Carrier Taping Dimensions for SC-88A

### • SC-88A (TE1, TE2)

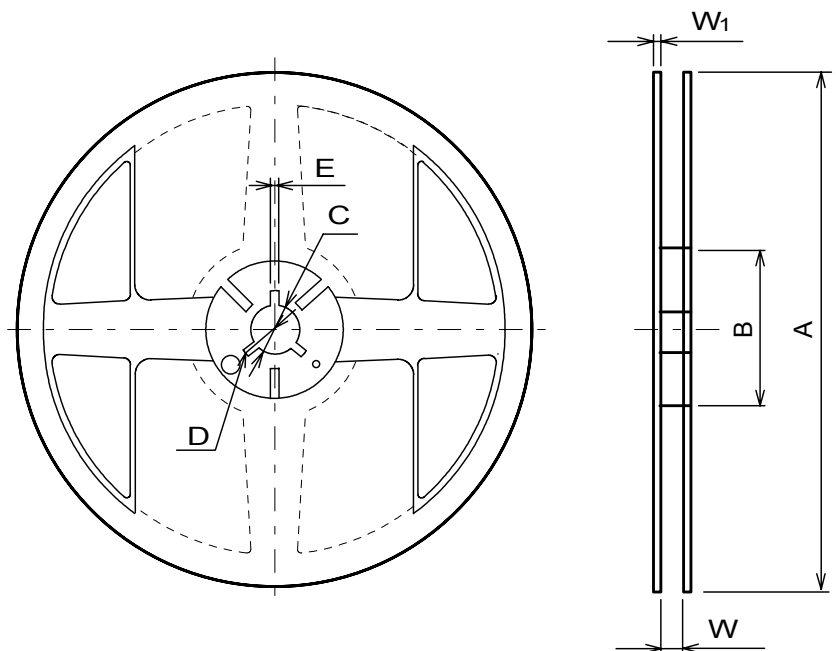
Symbol	Size	Remark
A	2.30±0.1	Bottom size
B	2.50±0.1	Bottom size
D <sub>0</sub>	1.55±0.05	
D <sub>1</sub>	1.05±0.05	
E	1.75±0.1	
F	3.50±0.05	
P <sub>0</sub>	4.00±0.1	
P <sub>1</sub>	4.00±0.1	
P <sub>2</sub>	2.00±0.05	
T	0.25±0.05	
T <sub>2</sub>	1.3±0.1	
W	8.0±0.2	
W <sub>1</sub>	5.5	Thickness 0.1MAX

Unit : mm



Symbol	Size
A	∅180±0.1
B	∅ 60±0.1
C	∅ 13±0.2
D	∅ 21±0.8
E	2±0.5
W	9±0.5
W <sub>1</sub>	1.2±0.2

Unit : mm



Pull-out beginning : Empty part more than 20 embosses + Cover tape more than one around reel  
 Pull-out end : Empty part more than 20 embosses

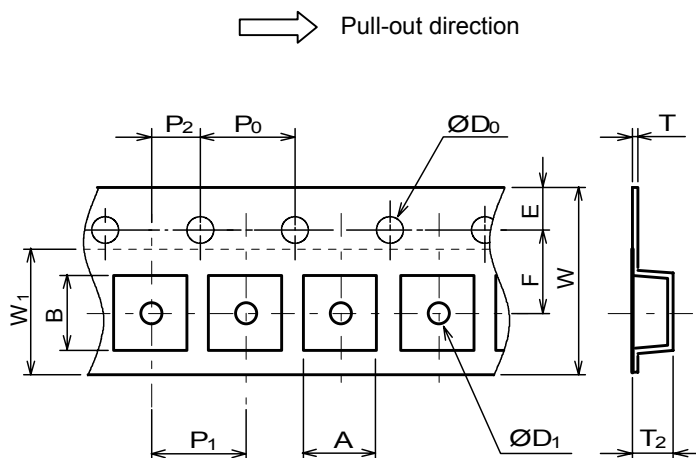
# TAPING DIMENSIONS

## (10) Emboss Carrier Taping Dimensions for FLP

- FLP6-B2, (TE1, TE2)/10-C1(TE3,TE4)

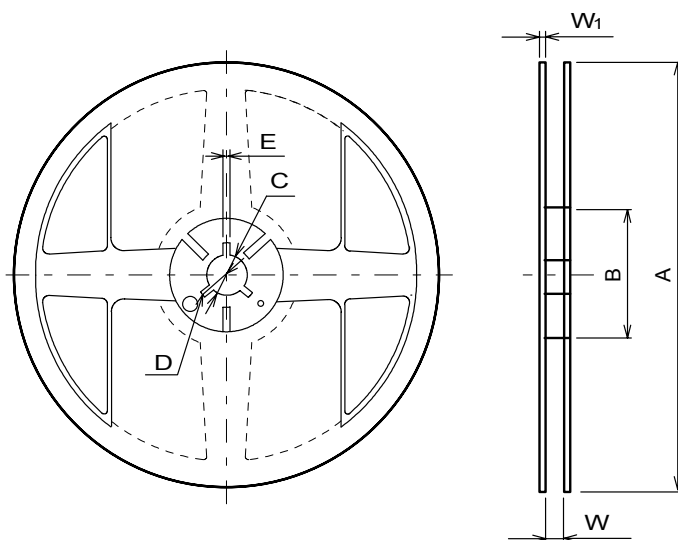
	FLP6-B2	FLP10-C1	
Symbol	Size	Size	Remark
A	2.15	2.8±0.1	Bottom size
B	2.25	3.4±0.1	Bottom size
D <sub>0</sub>	1.55	1.55	
D <sub>1</sub>	1.05	1.05	
E	1.75±0.1	1.75±0.1	
F	3.5±0.1	5.5±0.1	
P <sub>0</sub>	4.0±0.1	4.0±0.1	
P <sub>1</sub>	4.0±0.1	4.0±0.1	
P <sub>2</sub>	2.0±0.1	2.0±0.05	
T	0.2±0.05	0.25±0.05	
T <sub>2</sub>	1.3	1.1	
W	8.0±0.3	12.0±0.3	
W <sub>1</sub>	5.5	9.5	Thickness 0.1MAX

Unit : mm



	FLP6-B2	FLP10-C1
Symbol	Size	Size
A	$\varnothing 180^{+0}_{-3}$	$\varnothing 180 \pm 3$
B	$\varnothing 60^{+1}_{-0}$	$\varnothing 60 \pm 1$
C	$\varnothing 13 \pm 0.2$	$\varnothing 13 \pm 0.2$
D	$\varnothing 21 \pm 0.8$	$\varnothing 21 \pm 0.8$
E	2±0.5	2±0.5
W	9±0.5	13.0±0.5
W <sub>1</sub>	1.2±0.2	1.2±0.2

Unit : mm



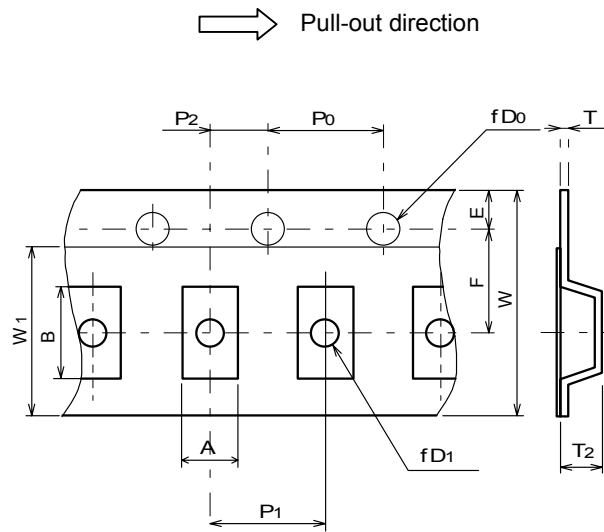
Pull-out beginning : Empty part more than 20 embosses + Cover tape more than one around reel  
 Pull-out end : Empty part more than 20 embosses

## (11) Emboss Carrier Taping Dimensions for SON

### • SON6 (TE1, TE2)

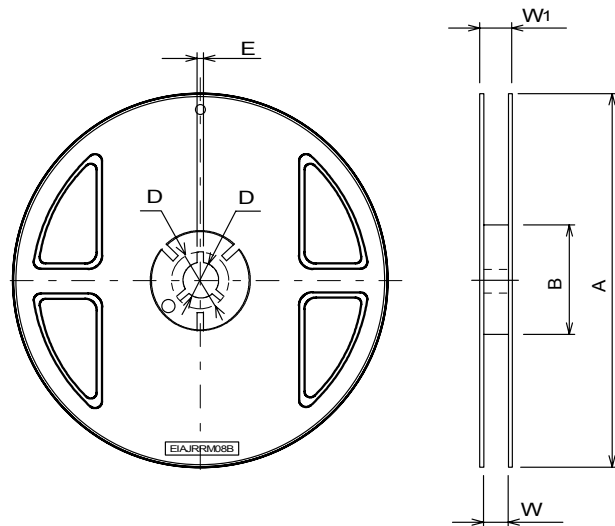
Symbol	Size	Remark
A	1.9±0.1	Bottom size
B	3.15±0.1	Bottom size
D <sub>0</sub>	1.55±0.05	
D <sub>1</sub>	1.05±0.05	
E	1.75±0.1	
F	3.5±0.05	
P <sub>0</sub>	4.0±0.1	
P <sub>1</sub>	4.0±0.1	
P <sub>2</sub>	2.0±0.06	
T	0.2±0.05	
T <sub>2</sub>	1.1±0.1	
W	8.0±0.2	
W <sub>1</sub>	5.5	

Unit : mm



Symbol	Size
A	∅180 <sup>+0</sup> <sub>-3</sub>
B	∅60 <sup>+1</sup> <sub>-0</sub>
C	∅13±0.2
D	∅21±0.5
E	2±0.5
W	9±0.3
W <sub>1</sub>	11.4±0.1

Unit : mm



Pull-out beginning : Empty part more than 20 embosses + Cover tape more than one around reel  
 Pull-out end : Empty part more than 20 embosses

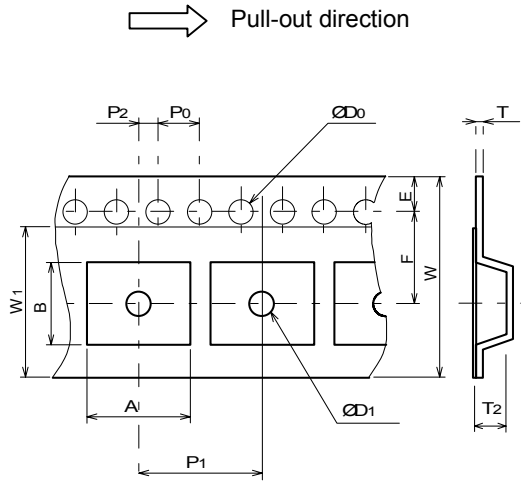
# TAPING DIMENSIONS

## (12) Emboss Carrier Taping Dimensions for QFN

### • QFN20-M1 / 20-N1 / 28-P4 (TE4)

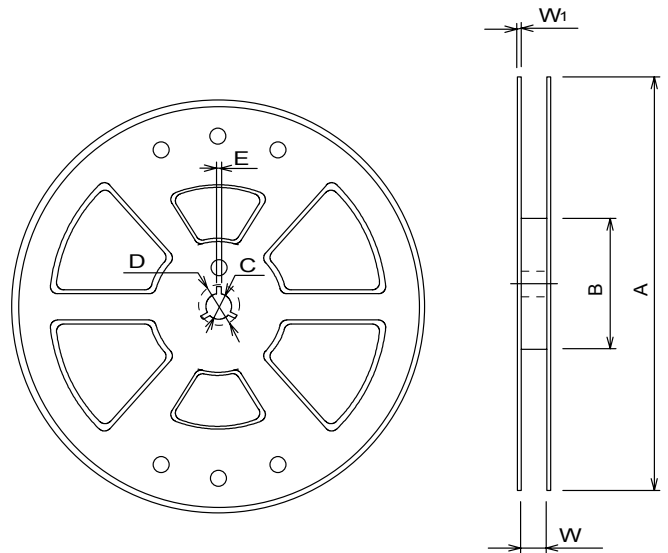
	QFN20-M1	QFN28-N1	QFN28-P4	
Symbol	Size	Size	Size	Remark
A	4.4±0.1	5.6±0.1	4.9±0.1	Bottom size
B	4.4±0.1	5.6±0.1	4.9±0.1	Bottom size
D <sub>0</sub>	1.5±0.1	1.5±0.1	1.5±0.1	
D <sub>1</sub>	1.55±0.05	1.55±0.05	1.55±0.05	
E	1.75±0.1	1.75±0.1	1.75±0.1	
F	5.5±0.05	5.5±0.05	5.5±0.05	
P <sub>0</sub>	4.0±0.1	4.0±0.1	4.0±0.1	
P <sub>1</sub>	8.0±0.1	8.0±0.1	8.0±0.1	
P <sub>2</sub>	2.0±0.05	2.0±0.05	2.0±0.05	
T	0.3±0.05	0.3±0.05	0.3±0.05	
T <sub>2</sub>	1.4±0.1	1.4±0.1	1.4±0.1	
W	12.0±0.2	12.0±0.2	12.0±0.2	
W <sub>1</sub>	9.5	9.5	9.5	Thickness 0.1MAX

Unit : mm



	QFN20-M1	QFN28-N1	QFN28-P4
Symbol	Size	Size	Size
A	Ø330±2	Ø330±2	Ø330±2
B	Ø100±1	Ø100±1	Ø100±1
C	Ø 13±0.2	Ø 13±0.2	Ø 13±0.2
D	Ø 21±0.8	Ø 21±0.8	Ø 21±0.8
E	2±0.5	2±0.5	2±0.5
W	13.5±0.5	13.5±0.5	13.5±0.5
W <sub>1</sub>	2±0.2	2±0.2	2±0.2

Unit : mm



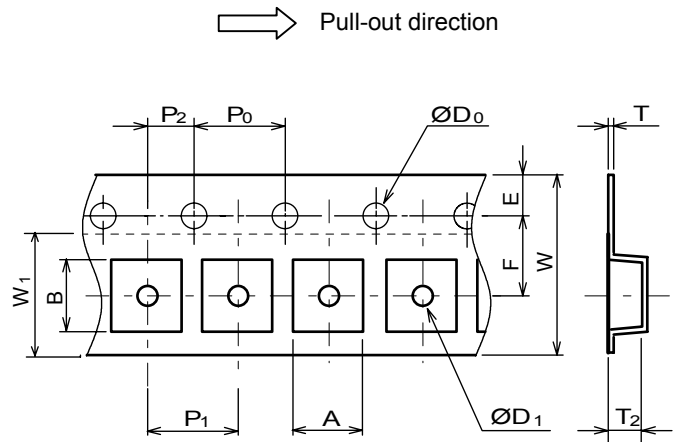
Pull-out beginning : Empty part more than 20 embosses + Cover tape more than one around reel  
 Pull-out end : Empty part more than 20 embosses

## (13) Emboss Carrier Taping Dimensions for FFP

- FFP12-B1, FFP16-C1 (TE1, TE2)

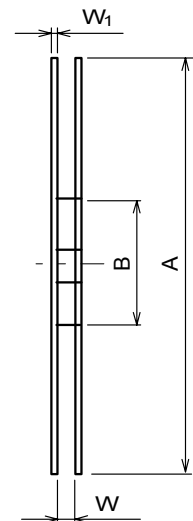
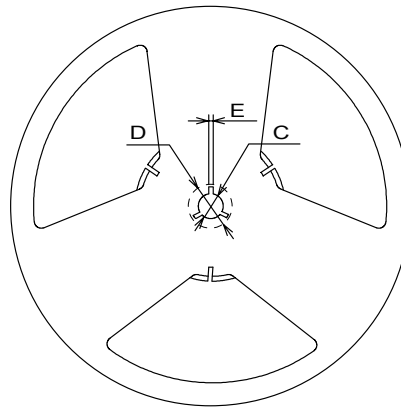
	FFP12-B1	FFP16-C1	
Symbol	Size	Size	Remark
A	2.2±0.1	2.8±0.1	Bottom size
B	2.2±0.1	2.8±0.1	Bottom size
D <sub>0</sub>	1.5 <sup>+0.1</sup> <sub>-0</sub>	1.5 <sup>+0.1</sup> <sub>-0</sub>	
D <sub>1</sub>	1.0 <sup>+0.2</sup> <sub>-0</sub>	1.0 <sup>+0.2</sup> <sub>-0</sub>	
E	1.75±0.1	1.75±0.1	
F	3.5±0.05	3.5±0.05	
P <sub>0</sub>	4.0±0.1	4.0±0.1	
P <sub>1</sub>	4.0±0.1	4.0±0.1	
P <sub>2</sub>	2.0±0.05	2.0±0.05	
T	0.3±0.05	0.3±0.05	
T <sub>2</sub>	1.20	1.20	
W	8.0±0.2	8.0±0.2	
W <sub>1</sub>	5.5	5.5	Thickness 0.1MAX

Unit : mm



Symbol	Size
A	∅255±1
B	∅ 80±1
C	∅ 13±0.3
D	≥∅ 20.2
E	2±0.5
W	9.5±0.3
W <sub>1</sub>	2±0.2

Unit : mm



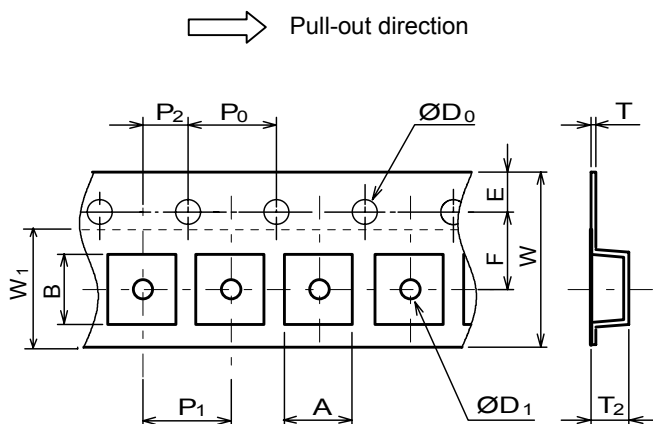
Pull-out beginning : Empty part more than 20 embosses + Cover tape more than one around reel  
 Pull-out end : Empty part more than 20 embosses

# TAPING DIMENSIONS

• FFP24-E1/32-G1 (TE1, TE2)

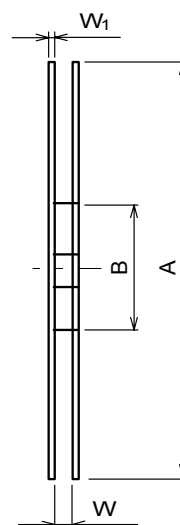
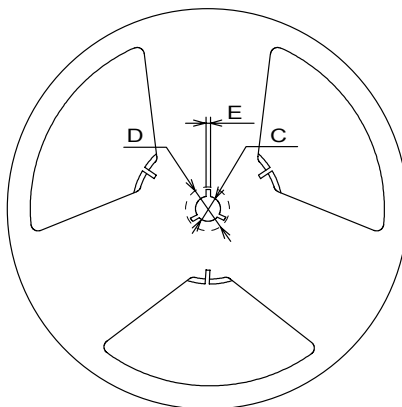
	FFP24-E1	FFP32-G1	
Symbol	Size	Size	Remark
A	3.8±0.1	4.8±0.1	Bottom size
B	3.8±0.1	4.8±0.1	Bottom size
D <sub>0</sub>	1.5 <sup>+0.1</sup> <sub>-0</sub>	1.5 <sup>+0.1</sup> <sub>-0</sub>	
D <sub>1</sub>	1.5 <sup>+0.2</sup> <sub>-0</sub>	1.5 <sup>+0.2</sup> <sub>-0</sub>	
E	1.75±0.1	1.75±0.1	
F	5.5±0.05	5.5±0.05	
P <sub>0</sub>	4.0±0.1	4.0±0.1	
P <sub>1</sub>	8.0±0.1	8.0±0.1	
P <sub>2</sub>	2.0±0.05	2.0±0.05	
T	0.3±0.05	0.3±0.05	
T <sub>2</sub>	1.20	1.20	
W	12.0±0.3	12.0±0.3	
W <sub>1</sub>	9.5	9.5	Thickness 0.1MAX

Unit : mm



Symbol	Size
A	∅255±1
B	∅ 80±1
C	∅ 13±0.3
D	≥∅ 20.2
E	2±0.5
W	13.5±0.5
W <sub>1</sub>	2±0.2

Unit : mm



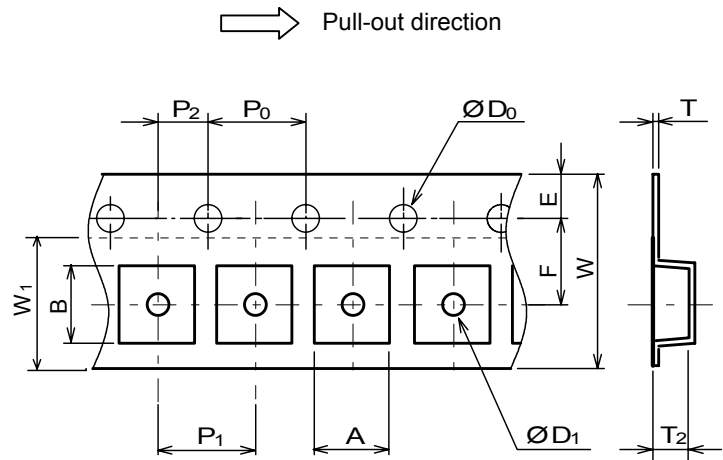
Pull-out beginning : Empty part more than 20 embosses + Cover tape more than one around reel  
 Pull-out end : Empty part more than 20 embosses

## (14) Emboss Carrier Taping Dimensions for PCSP

### • PCSP14-C3 (TE1, TE2)

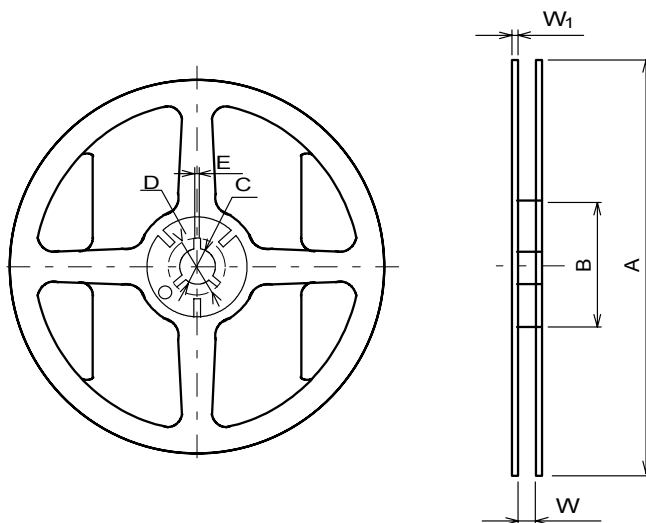
Symbol	Size	Remark
A	2.8±0.1	Bottom size
B	2.8±0.1	Bottom size
D <sub>0</sub>	1.5	
D <sub>1</sub>	1.0	
E	1.75±0.1	
F	3.5±0.05	
P <sub>0</sub>	4.0±0.1	
P <sub>1</sub>	4.0±0.1	
P <sub>2</sub>	2.0±0.05	
T	0.2±0.05	
T <sub>2</sub>	1.20	
W	8.0±0.2	
W <sub>1</sub>	5.5	Thickness 0.1MAX

Unit : mm



Symbol	Size
A	Ø180 <sup>+0.5</sup> <sub>-1.5</sub>
B	Ø60 <sup>+1</sup> <sub>-0</sub>
C	Ø13±0.2
D	Ø21±0.8
E	2±0.5
W	9 <sup>+0.3</sup> <sub>-0</sub>
W <sub>1</sub>	1.2

Unit : mm



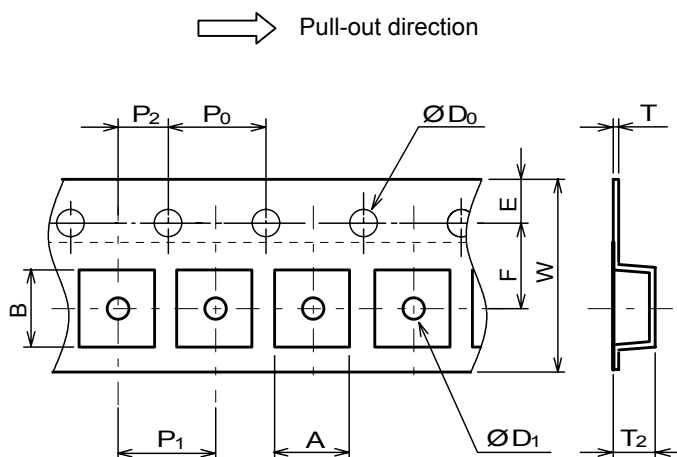
Pull-out beginning : Empty part more than 25 embosses + Cover tape more than one around reel  
 Pull-out end : Empty part more than 45 embosses

# TAPING DIMENSIONS

• PCSP16-E4 (TE1, TE2)

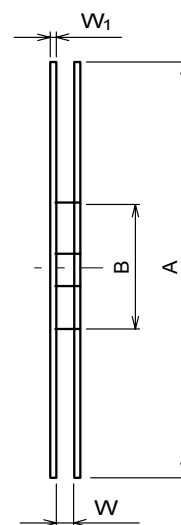
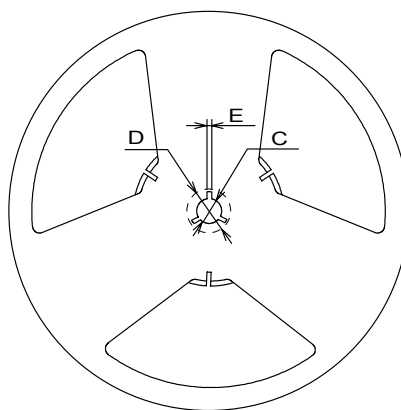
Symbol	Size	Remark
A	3.8±0.1	Bottom size
B	3.8±0.1	Bottom size
D <sub>0</sub>	1.5	
D <sub>1</sub>	1.5	
E	1.75±0.1	
F	5.5±0.05	
P <sub>0</sub>	4.0±0.1	
P <sub>1</sub>	8.0±0.1	
P <sub>2</sub>	2.0±0.05	
T	0.3±0.05	
T <sub>2</sub>	1.20	
W	12.0±0.3	
W <sub>1</sub>	9.5	Thickness 0.1MAX

Unit : mm



Symbol	Size
A	Ø255±1
B	Ø 80±1
C	Ø 13±0.3
D	≥Ø 20.2
E	2±0.5
W	13.5±0.5
W <sub>1</sub>	2±0.2

Unit : mm



Pull-out beginning : Empty part more than 20 embosses + Cover tape more than one around reel  
 Pull-out end : Empty part more than 20 embosses

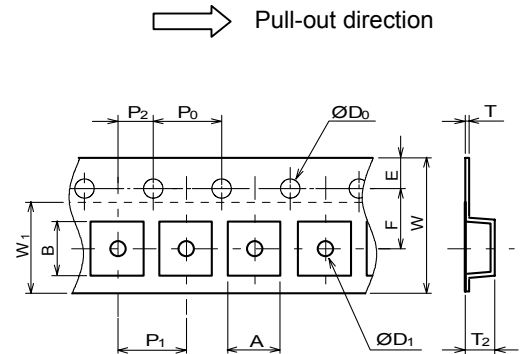


## (15) Emboss Carrier Taping Dimensions for USB

- USB6-D3, USB8-B3, USB10-C3, USB12-E3 (TE1, TE2)

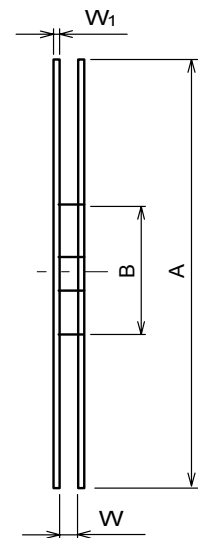
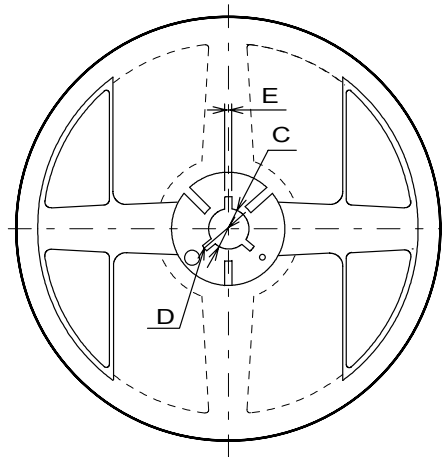
	USB6-D3	USB8-B3	USB10-C3	USB12-E3	
Symbol	Size	Size	Size	Size	Remark
A	2.2±0.1	1.9±0.1	2.4±0.1	2.75±0.1	Bottom Size
B	2.4±0.1	1.9±0.1	1.9±0.1	2.75±0.1	Bottom Size
D <sub>0</sub>	1.5 +0.1	1.5 +0.1	1.5 +0.1	1.5 +0.1	
D <sub>1</sub>	1.1±0.1	1.1±0.1	1.1±0.1	1.1±0.1	
E	1.75±0.1	1.75±0.1	1.75±0.1	1.75±0.1	
F	3.5±0.05	3.5±0.05	3.5±0.05	3.5±0.05	
P <sub>0</sub>	4.0±0.1	4.0±0.1	4.0±0.1	4.0±0.1	
P <sub>1</sub>	4.0±0.1	4.0±0.1	4.0±0.1	4.0±0.1	
P <sub>2</sub>	2.0±0.05	2.0±0.05	2.0±0.05	2.0±0.05	
T	0.25±0.05	0.25±0.05	0.25±0.05	0.25±0.05	
T <sub>2</sub>	1.1±0.1	1.1±0.1	1.1±0.1	1.1±0.1	
W	8.0±0.2	8.0±0.2	8.0±0.2	8.0±0.2	
W <sub>1</sub>	5.5±0.1	5.5±0.1	5.5±0.1	5.5±0.1	Thickness 69µmMAX

Unit : mm



照合文字	寸法
A	∅180 <sup>+0</sup> <sub>-3</sub>
B	∅60 <sup>+1</sup> <sub>-0</sub>
C	∅13±0.2
D	∅21±0.8
E	2±0.5
W	9±0.3
W <sub>1</sub>	1.2±0.2

Unit : mm



Pull-out beginning : Empty part more than 20 embosses + Cover tape more than one around reel  
 Pull-out end : Empty part more than 40 embosses

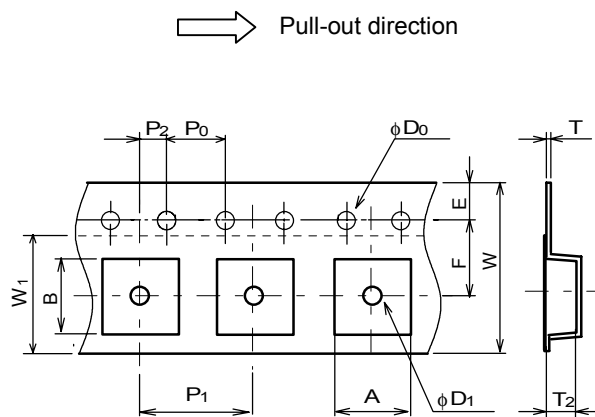
# TAPING DIMENSIONS

## (16) Emboss Carrier Taping Dimensions for BCC

- BCC24, BCC32, BCC36 (TE1,TE2)

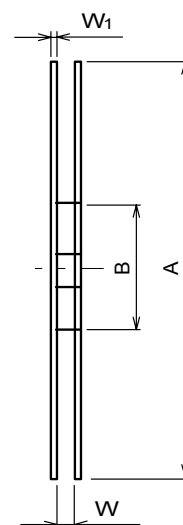
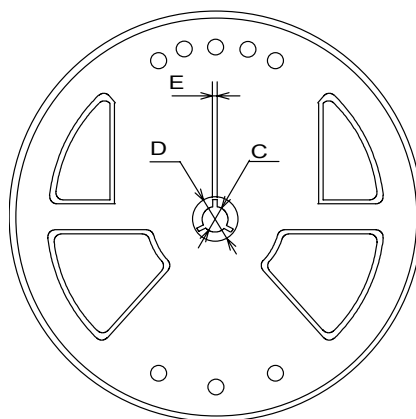
	BCC24	BCC32	BCC36	
Symbol	Size	Size	Size	Remark
A	4.30±0.1	5.35±0.1	4.8±0.1	Bottom size
B	4.30±0.1	5.35±0.1	4.8±0.1	Bottom size
D <sub>0</sub>	1.55 <sup>+0.1</sup> <sub>-0</sub>	1.55 <sup>+0.1</sup> <sub>-0</sub>	1.55 <sup>+0.1</sup> <sub>-0</sub>	
D <sub>1</sub>	1.55 <sup>+0.1</sup> <sub>-0</sub>	1.55 <sup>+0.1</sup> <sub>-0</sub>	1.55 <sup>+0.1</sup> <sub>-0</sub>	
E	1.75±0.1	1.75±0.1	1.75±0.1	
F	5.5±0.1	5.5±0.1	5.5±0.1	
P <sub>0</sub>	4.0±0.1	4.0±0.1	4.0±0.1	
P <sub>1</sub>	8.0±0.1	8.0±0.1	8.0±0.1	
P <sub>2</sub>	2.0±0.1	2.0±0.1	2.0±0.1	
T	0.3±0.05	0.3±0.05	0.3±0.05	
T <sub>2</sub>	0.9±0.1	1.0±0.1	0.9±0.1	
W	12.0±0.3	12.0±0.3	12.0±0.3	
W <sub>1</sub>	9.5	9.5	9.5	Thickness 0.05 MAX.(24/32) 0.1 MAX.(36)

Unit : mm



Symbol	Size
A	∅254±2
B	∅100 <sup>+2</sup> <sub>-0</sub>
C	∅13±0.2
D	∅21±0.8
E	2±0.5
W	13.4±0.1
W <sub>1</sub>	2.9 MAX

Unit : mm



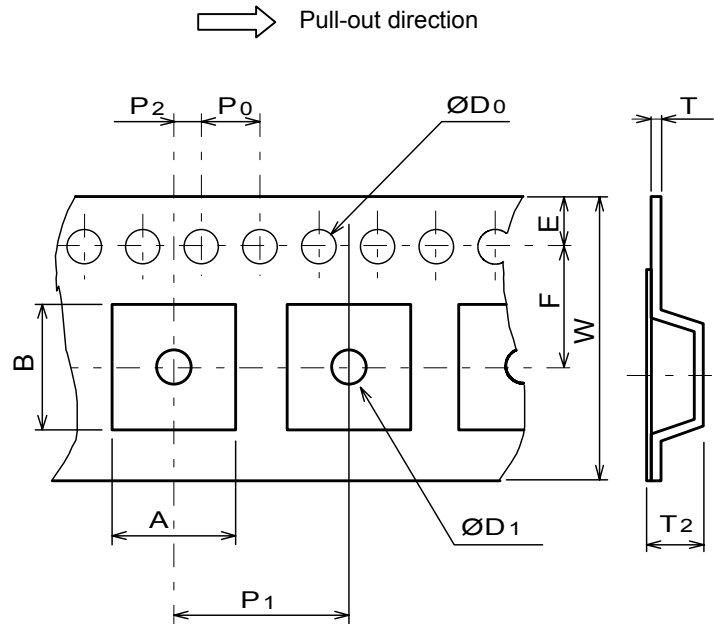
Pull-out beginning : Empty part more than 20 embosses + Cover tape more than one around reel  
 Pull-out end : Empty part more than 20 embosses

## (17) Emboss Carrier Taping Dimensions for PLCC

### • PLCC28-M2 (TE3)

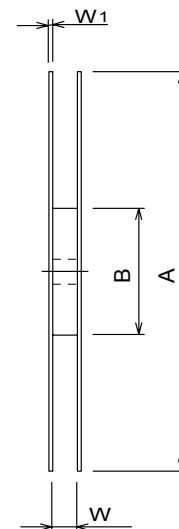
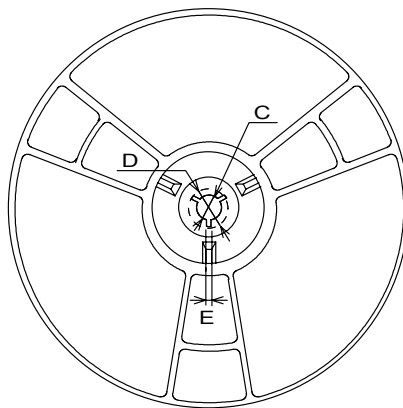
Symbol	Size	Remark
A	13.0	Bottom size
B	13.0	Bottom size
D <sub>0</sub>	1.5 <sup>+0.1</sup> <sub>-0</sub>	
D <sub>1</sub>	1.55±0.1	
E	1.75±0.1	
F	11.5±0.1	
P <sub>0</sub>	4.0±0.1	
P <sub>1</sub>	16.0±0.1	
P <sub>2</sub>	2.0±0.1	
T	0.3±0.05	
T <sub>2</sub>	4.9	
W	24.0±0.3	

Unit : mm



Symbol	Size
A	Ø330±2
B	Ø100±1
C	Ø13 <sup>+0.5</sup> <sub>-0.2</sub>
D	Ø20.2MIN
E	2±0.5
W	24±0.5
W <sub>1</sub>	2±0.2

Unit : mm



Pull-out beginning : Empty part more than 20 embosses + Cover tape more than one around reel  
 Pull-out end : Empty part more than 20 embosses