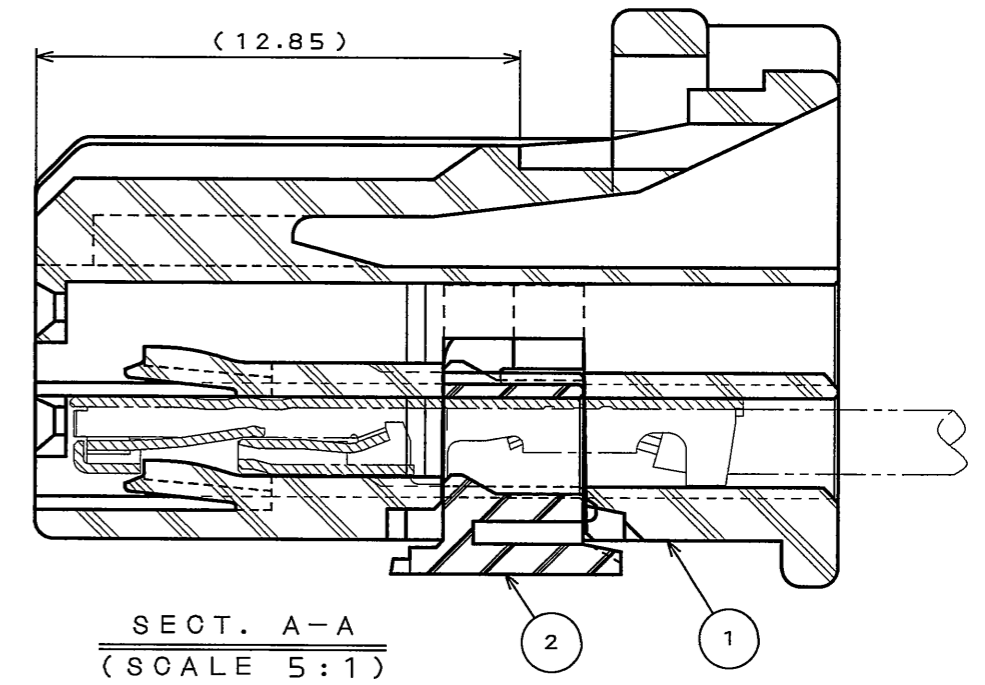
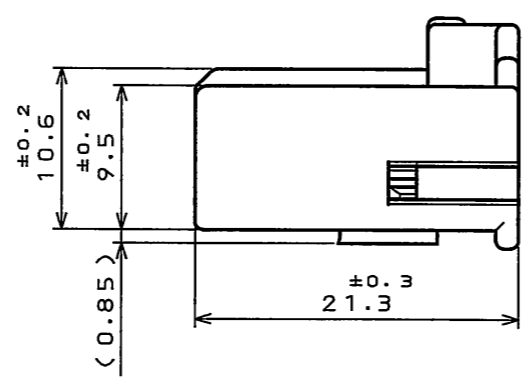
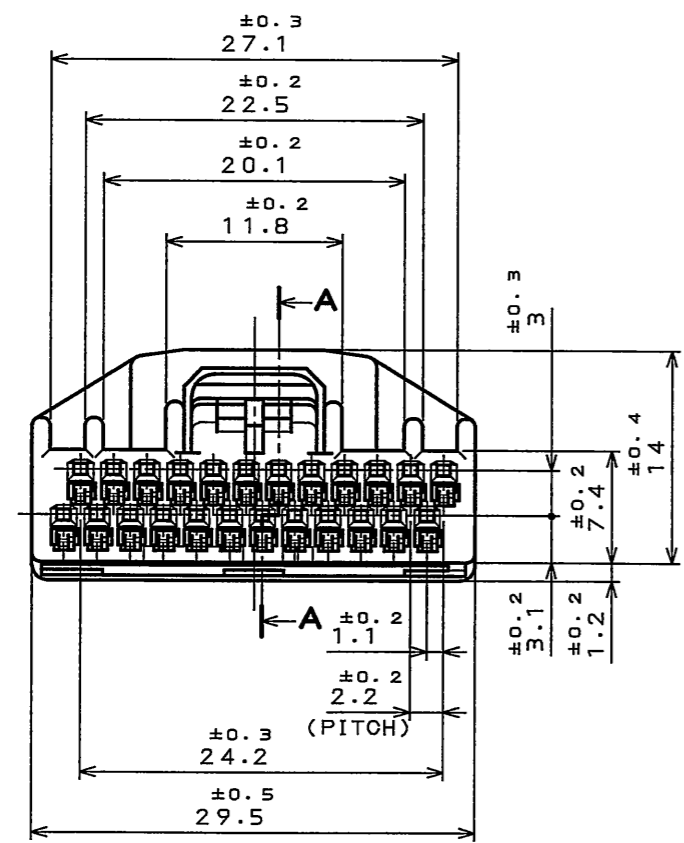
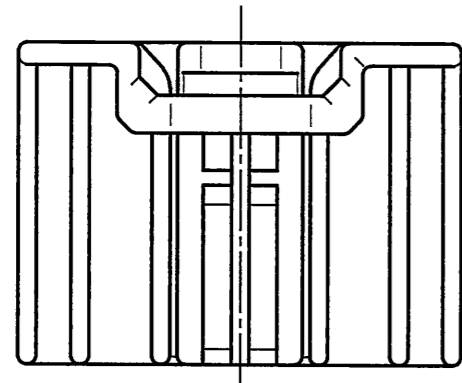


1Z2001PS
(ON 0IMVAD) 品名図

| 版数 REV. | 年月日 DATE | DCN NO. | 変更内容 DESCRIPTION | 製図 DR. | 担当 CHK. | 査閲 APPD. | 承認 APPD. |
|------------|-------------|---------|--|-----------|------------|-------------|-------------|
| 2 | 30.Sep.2008 | 066411 | DELETE HOUSING COLOR SETTING LIST | | Y.WATANABE | K.MIYAMOTO | T.KUME |
| 3 | 14.Nov.2008 | 066892 | CHANGE OF TERMINAL MATERIALS PLATING LIST | | Y.WATANABE | K.Miyamoto | T.Kume |

△△ TABLE1: TERMINAL MATERIALS AND PLATING LIST (端子材料・メッキ設定コード表)

| CODE | PART TITLE | SJ No. | MATERIALS | PLATING | APPLICABLE WIRE |
|------|------------|--------|-----------------------------------|----------------------|--|
| S | M34S7504F1 | 038527 | HIGH CONDUCTIVITY COPPER ALLOY | TIN PLATING スズめっき | CHFUS 0.22sq. AVSS 0.3sq. CHFUS 0.35sq. ALL CAVITIES CAN BE APPLIED. 全キャビティ対応 |
| M | M34S7504F2 | 038528 | 高導電性銅合金 | | CHFUS 0.5sq. AVSS 0.5sq. CAVS 0.5sq. CHFS 0.75sq. CHFUS 0.75sq. ALL CAVITIES CAN BE APPLIED. 全キャビティ対応 |
| C | M34S7504F3 | 038747 | | | CAN SD 0.35sq. FOUR BOTH ENDS CAVITIES CAN BE APPLIED. 両端4箇所のキャビティ対応 |
| L | M34S7504F4 | 038893 | | | AVSS 0.85sq. CAVS 0.85sq. FOUR BOTH ENDS CAVITIES CAN BE APPLIED. 両端4箇所のキャビティ対応 |
| X | M34S7504F5 | 109336 | | | CHFUS 0.13sq. ALL CAVITIES CAN BE APPLIED. 全キャビティ対応 |



| | | | | | |
|---------------------------|-------------------|--------------------|----------------|--------------|-------------------|
| 2 | RETAINER | 1 | PPE+PA66(ALLY) | | COLOR:BLACK |
| 1 | HOUSING | 1 | PPE+PA66(ALLY) | | COLOR:GRAY |
| 符号 NO. | 名称 DESCRIPTION | 個数 QTY. | 材料 MATERIAL | 仕上 FINISH | 備考 REMARKS |
| 仕様書(SPECIFICATION) | | 第1版(ORIGINAL DATE) | | 尺度(SCALE) | シリーズ(SERIES) |
| JACS-1754 △ J AHL-1754 | | 18.Nov.2003 | | 2:1 | MX34 |
| 公差(GENERAL TOLERANCE) | | 製図 DR. | | 名称(TITLE) | |
| 寸法(DIMENSION) | | J.ICHYAMA | | MX34024SF1 | |
| 角度(ANGLES) | | 担当 CHK. | | | |
| . ±0.8 X° ± | | 査閲 APPD. | | | |
| .X ±0.4 X°X ± | | 承認 APPD. | | | |
| .XX ±0.1 | | T.TOTANI | | | |
| .XXX ± | | | | 質量(MASS) | |
| | | | | 3.6g | |
| | | | | | 図面番号(DRAWING NO.) |
| | | | | | SJ100271 |
| | | | | | 版数 (REV.) |
| | | | | | 3 |

DOF-0-212F(05.08)

