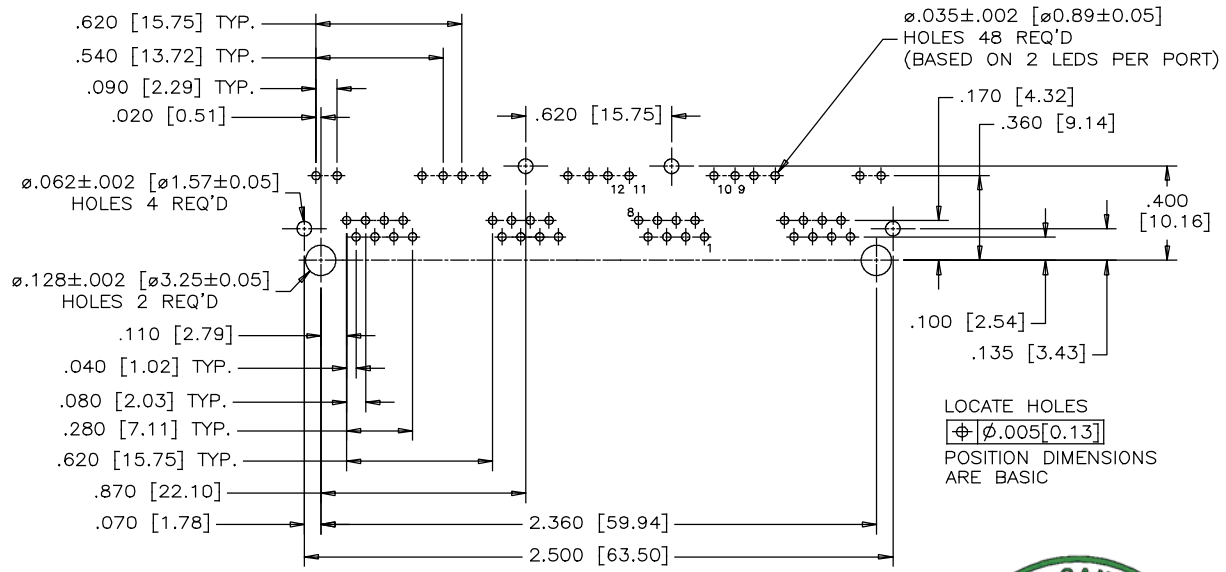
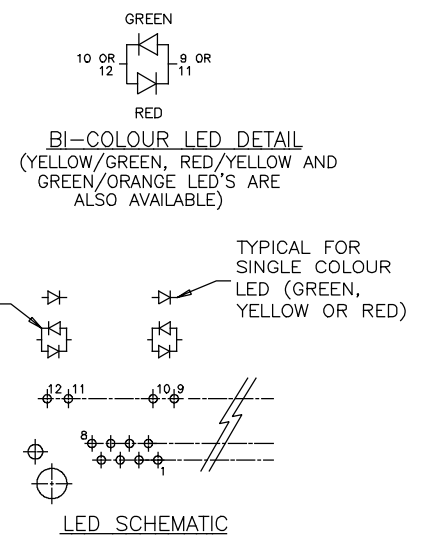
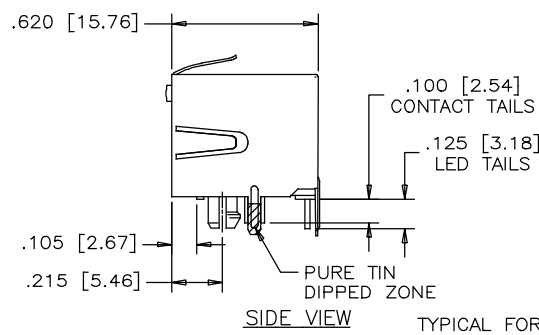
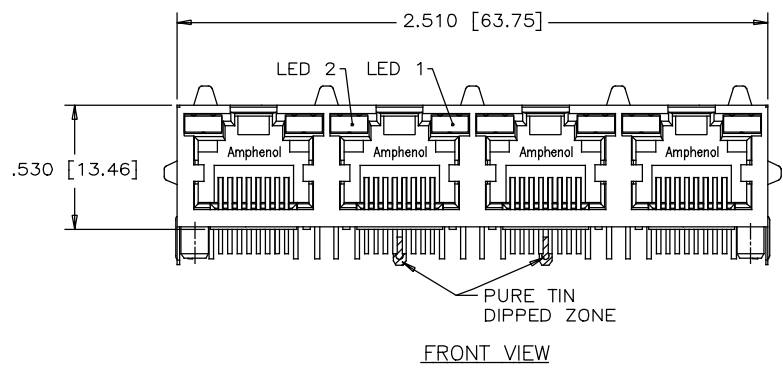


REVISIONS			
REV	DESCRIPTION, ECN, EAR NO.	DATE	APP'D
E	PROPOSAL	JUL 10/08	L.CHAN
F	PROPOSAL	NOV 02/10	L.CHAN
G	ADD DIMENSIONS TOLERANCE	AUG 09/16	L.CHAN



MATERIALS:

PLASTIC HOUSING: HIGH TEMPERATURE THERMOPLASTIC
FLAMMABILITY RATING UL 94V-0

CONTACTS: PHOSPHOR BRONZE
PLATING: 50 μ " [1.27 MICRONS]
MIN. GOLD ON MATING SURFACES.
50 μ " [1.27 MICRONS]
MIN. NICKEL UNDERPLATE
100 μ " [2.54 MICRONS]
MIN. MATTE TIN ON CONTACT TAILS.

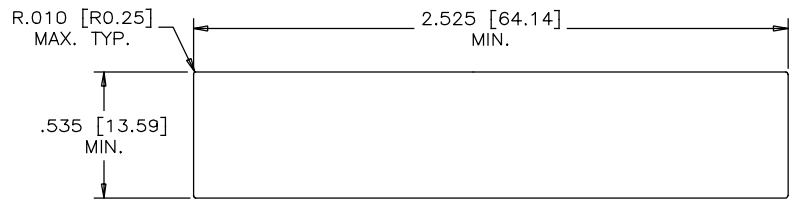
SHIELD: COPPER ALLOY
PLATING: NICKEL WITH PURE-TIN DIPPED PCB TAILS.

RECOMMENDED SOLDERING TEMPERATURE:
WAVE SOLDERING AT 260°C MAXIMUM FOR 5 SEC MAXIMUM.



PART NUMBER: RJHSE-538X-04

REFER TO LED OPTIONS DRAWING FOR ORDERING CODES



UNLESS SPECIFIED OTHERWISE	DRAWN P.WANG	DATE APR 14/08
PRIMARY UNITS INCH	CHECKED CHIGOW,X	APR 14/08
SECONDARY MILLIMETER	M.E. APP'D	
REFERENCE IN PARENTHESES	Q.A. APP'D	
GENERAL TOLERANCES	DWG APPR.	
1 DECIMAL PLACE ± 0.025	ENG. REL. NO.	
2 DECIMAL PLACES ± 0.020	REF.	
3 DECIMAL PLACES ± 0.015		
ANGULAR DEGREES $\pm 1.0^\circ$	THIRD ANGLE PROJECTION	DO NOT SCALE DRAWING

Amphenol Canada Corp. www.amphenolcanada.com	
TITLE	4 PORT, HIGH SPEED, MODULAR JACK, 8 POSITION, 8 CONTACTS, SHIELDED WITH LED'S - RoHS COMPLIANT
DWG. NO.	P-RJHSE-538X-04
REV	G
CODE ID NO.	03554
DWG SIZE:	C
SCALE:	N/A
SHEET	1 OF 2