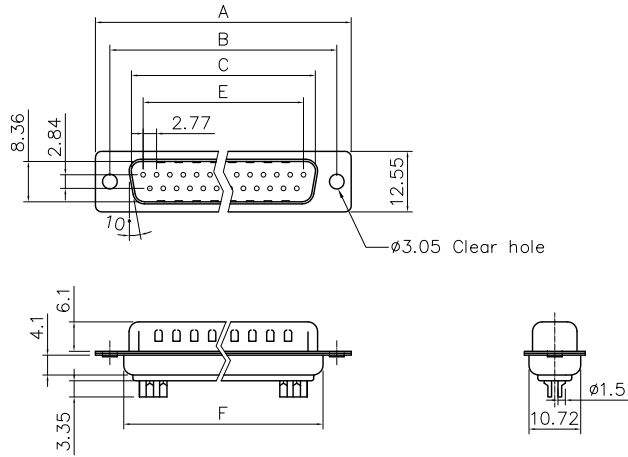


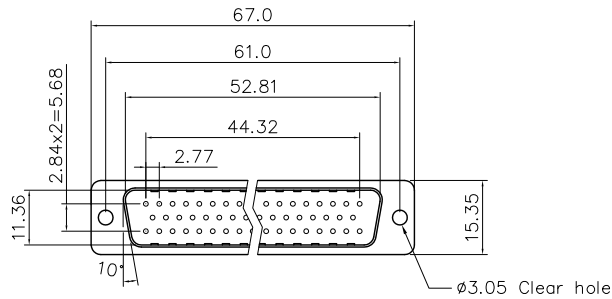
This document is the property of Amphenol Corporation and is delivered on the express condition that it is not to be disclosed, reproduced or used, in whole or in part, for manufacture or sale by anyone other than Amphenol Corporation without its prior consent, & that no right is granted to disclose or to use any information in this document.

Customer drawing



Dimensions

Positions	A	B	C	E	F
9	30.81	24.99	16.92	11.08	19.20
15	39.20	33.30	25.25	19.39	27.70
25	53.04	47.04	38.96	33.24	41.10
37	69.40	63.50	55.42	49.86	57.30



50 Positions



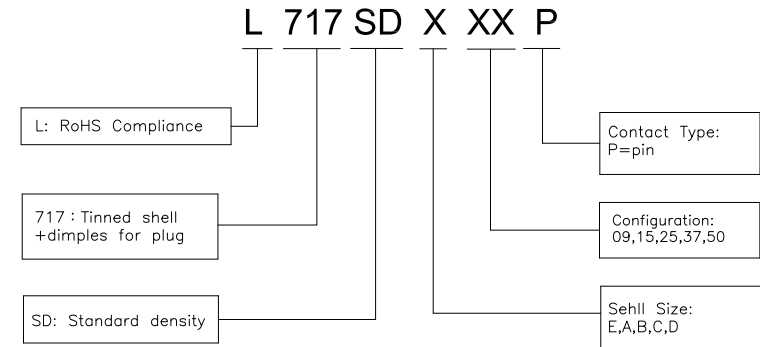
REVISIONS

SYM	ECN	DESCRIPTION	DATE	APPROVED
1	HK--	First Release Drawing	03/20/08	IP
2	HK--	Update the drawing	12/26/11	IP
3	HK--	Update the drawing	04/11/12	IP
4	HK--	Update the drawing	06/20/14	IP

D-SUB TECHNICAL DATA

SHELL : Steel 100u" tin over 50u" min nickel over 50u" min copper
 BODY : Glass-Filled Thermoplastic PBT, UL94V-0
 CONTACTS : Copper Alloy
 Gold flash over 50u" min nickel on mating area
 100u" min tin over 50u" min nickel on solder area
 ELECTRICAL: Voltage rating : 250 V Rms 60Hz
 Current rating : 3A
 Withstanding Voltage >1000 V Rms 60Hz for 1 minute
 Insulation resistance >1000 M Ohms
 Contact resistance 20 mOhms max.
 MARKING : Amphenol...(Series No.)
 Commercial reference
 Manufacturing date

PRODUCT CODE



UNLESS OTHERWISE SPECIFIED TOLERANCES		APPROVAL		DATE
U.S.	METRIC	DRAWN	Checked	
X. +/-	0.38	Felix Liu		06/20/14
.X +/-	0.25			
.XX +/-	0.13	Checked	Tony Tang	06/20/14
FRACTIONS +/-		DRAWING FILE :		
ANGLES +/-		ANGLE OF PROJECTION		
FOR MATERIALS AND FINISHES SEE NOTES				
REMOVE SHARP EDGES		DIMENSIONS		
U.S. INCHES		U.S. INCHES		
METRIC MM		METRIC MM		

Amphenol		Amphenol East Asia Limited	
TITLE			
Stamped and formed contact,SD series			
SIZE	DRAWING NO.	REV.	
A4	L717SDXXXXP	4	
SCALE	NONE	SHEET 1 OF 1	