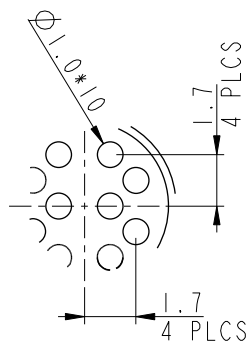
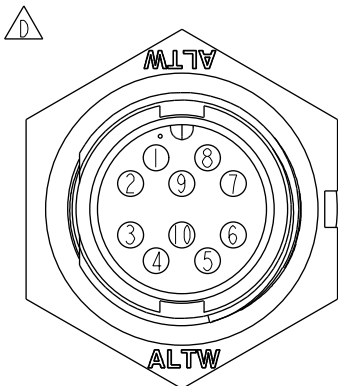
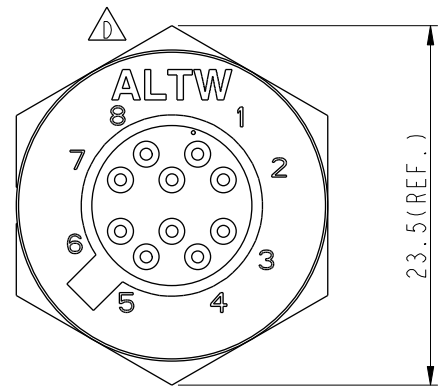
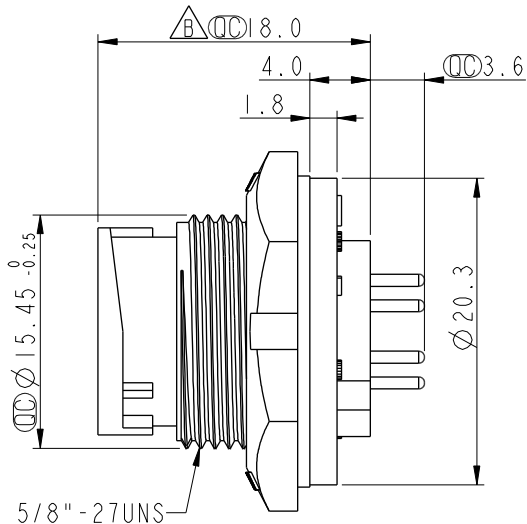
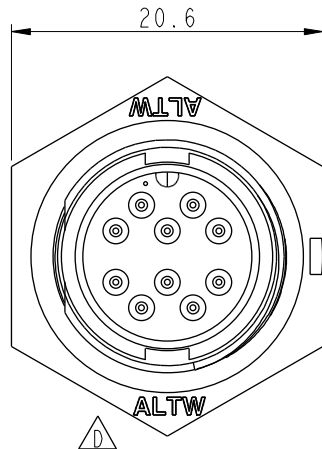


ALTW
 CONFIDENTIAL
 2019-02-25
 R&D DEPT.

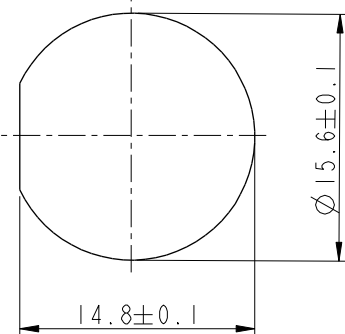
REV.	ECN NO.	DATE	SIGN	DESCRIPTION
C	LEN-8B0409	2008/09/22	Shin	Add Note
D	LEN1530156	2014/12/17	Jinhai	Change Logo
E	CI90269	2019/02/25	Ruru	Modify Note



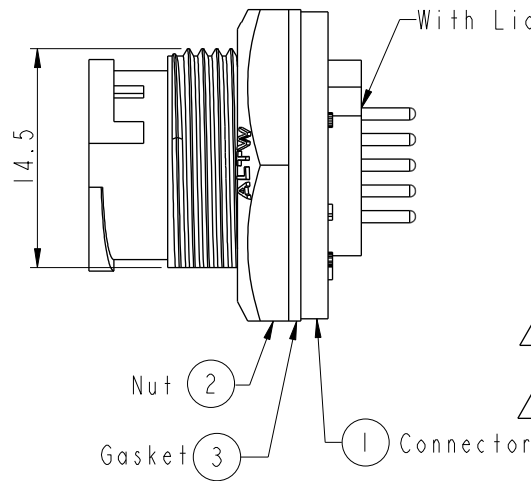
PCB Lay-out



Pin Assignments
 Front View



Recommended Panel Cut-out



- Note: \triangle
- * \odot Important Dimension To Check.
 - * Waterproof Rate: IP67, Unmated
 - * Housing: Thermoplastic, Black
 - * Pin: Copper Alloy, Gold Plated
 - * Nut: Thermoplastic, Black
 - * Gasket: Rubber, Black
 - \triangle * Use With Waterproof Cap Or Dust Cap
 Panel Thickness Max: 3.0mm
 - \triangle * Use Without Waterproof Cap Or Dust Cap
 Panel Thickness Max: 4.5mm
 - * Gasket and Nut are packed separately in PE bags.

UNIT:mm		
TOLERANCE	.X ±0.25	
.XX ±0.1		
.XXX ±0.05		
ANGLES	±1°	

TITLE Standard Panel Lock 10Pin M Conn. M Pin			
SCALE 2:1	SIZE A4	SHEET 1 OF 1	
REV. E	WC-REV. A.4	\odot : Inspection item	

Amphenol LTW
 安費諾亮泰企業股份有限公司

ITEM NO BU-10PMMP-LC7001	DRAWN BY Ruru	DATE 2019-02-25
DWG NO BU-10PMMP-LC7001	CHECKED BY Rita	DATE 2019-02-25
CUSTOMER ALTW	APPROVED BY Max	DATE 2019-02-25

THIS DOCUMENT IS SUBJECT TO CHANGE WITHOUT NOTICE. IT IS CONFIDENTIAL AND A PROPERTY OF Amphenol LTW. DISCLOSURE TO THIRD PARTY HAS TO BE AUTHORIZED BY Amphenol LTW.