



3R Ceramic Surge Arresters

SPECIFICATION

Changzhou Wujin Jiangnan Discharge Tube Co.,Ltd

Add:Zouqu Town Industrial Zone,Wujin Changzhou City,Jiangsu,China

Tel: 0519-83631254


Fax: 0519-83631533

Email:jiangnan@jiangnan-cn.cn

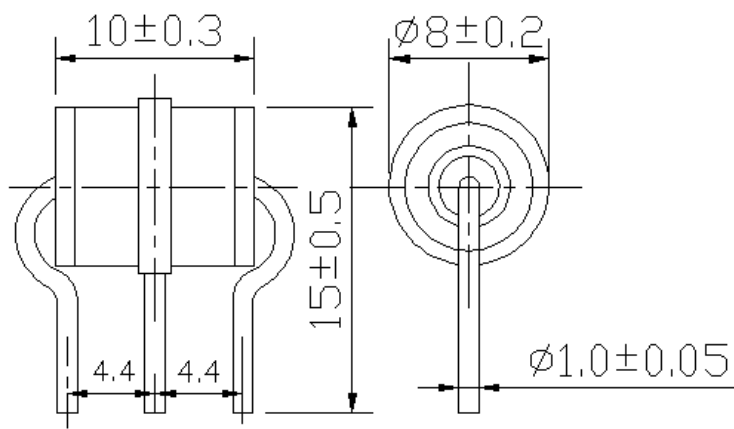


Electrical Characteristics

Type: 3R600AL4

DC spark-over voltage	600 ±20	V %
Impulse spark-over voltage		
at 100V/μs - for 99% of measured values	<1100	V
-typical values of distribution	<1000	V
at 1 kV/μs - for 99% of measured values	<1400	V
-typical values of distribution	<1200	V
Service life		
10 operations 50Hz, 1s	10	A
10 operations [5x (+)&5x(-)] 8/20μs	20	kA
1 operations 8/20μs	25	kA
1 operations 10/350μs	1	KA
300 operations [5x (+)&5x(-)] 10/1000μs	200	A
Insulation resistance at 250 Vdc	> 10	GΩ
Capacitance at 1 MHz	<1.5	pF
Arc voltage at 1 A	~15	V
Glow to arc transition current	~0.6	A
Glow voltage	~70	V
Weight	~2.0	g
Operation and storage temperature	-40...+125	°C
Marking, blue	 3R600 3R -Two Electrode 600 -Nominal voltage	

·Dimensional drawing



3R-AL4 Type ($\phi 8 \times 10$)