



# 3R Ceramic Surge Arresters

## SPECIFICATION

**Changzhou Wujin Jiangnan Discharge Tube Co.,Ltd**

Add: Zouqu Town Industrial Zone, Wujin Changzhou City, Jiangsu, China

Tel: 0519-83631254


Fax: 0519-83631533

Email: [jiangnan@jiangnan-cn.cn](mailto:jiangnan@jiangnan-cn.cn)

---

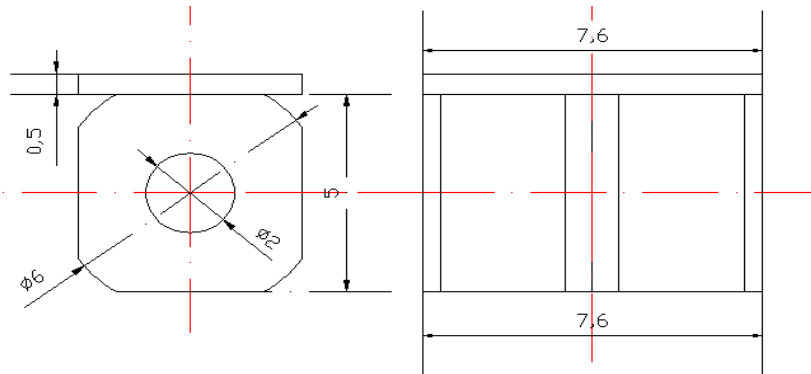


• **Electrical Characteristics**

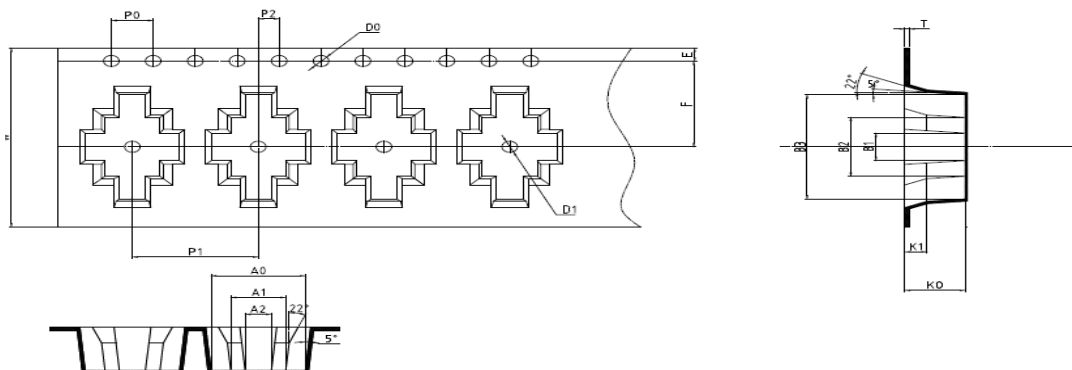
DC spark-over voltage	470 ± 20	V %
Impulse spark-over voltage		
at 100V/μs - for 99% of measured values	< 850	V
-typical values of distribution	< 750	V
at 1 kV/μs - for 99% of measured values	< 1000	V
-typical values of distribution	< 850	V
Service life		
10 operations           50Hz, 1s	5	A
10 operations           8/20 μs	5	kA
300 operations        10/1000 μs	200	A
Insulation resistance at 50 Vdc	> 10	G Ω
Capacitance at 1 MHz	< 1.5	pF
Arc voltage at 1 A	~10	V
Glow to arc transition current	~1	A
Glow voltage	~80	V
Weight	~0.8	g
Operation and storage temperature	-40...+125	°C
Marking, blue	 3R470 3R -Three Electrode 470 -Nominal voltage	



Dimensional drawing



Packing advice T420 = SMD-tape with 900 pcs



Symbol	Spec	Symbol	Spec
W	24.00±0.30	A <sub>0</sub>	9.00±0.10
E	1.75±0.10	A <sub>1</sub>	5.25±0.10
F	11.50±0.10	A <sub>2</sub>	2.50±0.10
D <sub>0</sub>	1.50±0.10	B <sub>0</sub>	14.00±0.10
D <sub>1</sub>	1.50±0.10	B <sub>1</sub>	7.90±0.10
P <sub>0</sub>	4.00±0.10	B <sub>2</sub>	3.70±0.10
P <sub>1</sub>	12.00±0.10	K <sub>0</sub>	5.75±0.10
P <sub>2</sub>	2.00±0.10	K <sub>1</sub>	2.10±0.10
10P <sub>0</sub>	40.00±0.20		