



# 3R Ceramic Surge Arresters

## SPECIFICATION

**Changzhou Wujin Jiangnan Discharge Tube Co.,Ltd**

---

**Add:Zouqu Town Industrial Zone,Wujin Changzhou City,Jiangsu,China**

**Tel: 0519-83631254**

**Fax: 0519-83631533**


**Email:jiangnan@jiangnan-cn.cn**

---

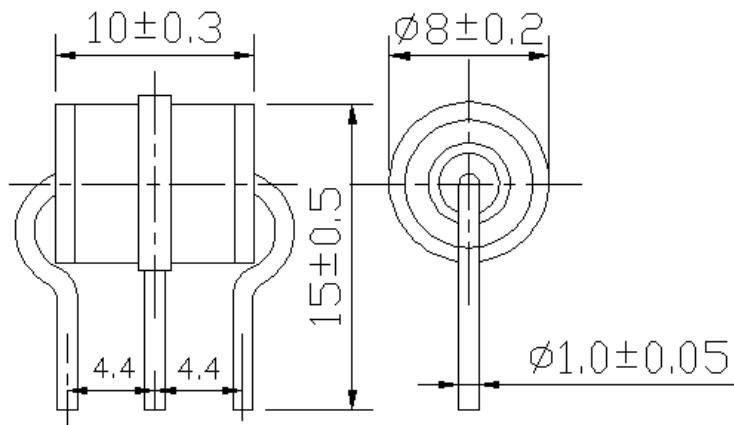


**Electrical Characteristics**

Type: 3R350AL4

DC spark-over voltage		350 ±20	V %
Impulse spark-over voltage			
at 100V/μs - for 99% of measured values		< 700	V
-typical values of distribution		< 600	V
at 1 kV/μs - for 99% of measured values		< 900	V
-typical values of distribution		< 800	V
Service life			
10 operations	50Hz, 1s	10	A
10 operations [5x (+)&5x(-)]	8/20μs	20	kA
1 operations	8/20μs	25	kA
1 operations	10/350μs	1	KA
300 operations [5x (+)&5x(-)]	10/1000μs	200	A
Insulation resistance at 50 Vdc		> 10	GΩ
Capacitance at 1 MHz		< 1.5	pF
Arc voltage at 1 A		~15	V
Glow to arc transition current		~0.6	A
Glow voltage		~70	V
Weight		~2.0	g
Operation and storage temperature		-40...+125	°C
Marking, blue		 3R350  3R -Two Electrode 350 -Nominal voltage	

·Dimensional drawing



3R-AL4 Type ( $\phi 8 \times 10$ )