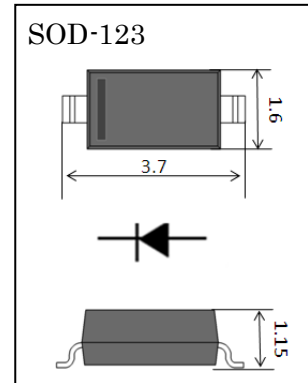


**BAV19W-BAV21W**

- ◇ General purpose diodes
- ◇ Fast switching devices
- ◇ **SOD123** Micro SMD package
- ◇ RoHS compliant / Green EMC
- ◇ Matte Tin (Sn) Lead finish
- ◇ Cathode Band / Device marking

Device Marking Code	
<b>BAV19W</b>	<b>AB</b>
<b>BAV20W</b>	<b>T2</b>
<b>BAV21W</b>	<b>T3</b>



※Mark: refer to Device Marking

**Maximum Ratings (Ta = 25 °C)**

Symbol	Parameter	BAV19W	BAV20W	BAV21W	Units
$V_{RM}$	Non-Repetitive Peak Reverse Voltage	120	200	250	V
$V_{RRM}$	Repetitive Peak Reverse Voltage	100	150	200	V
$V_{R(RMS)}$	RMS Reverse Voltage	71	106	141	V
$I_O$	Average Rectified Output Current	200			mA
$I_{FSM}$	Non-Repetitive Peak Forward Surge Current ( @t=1.0us )	2.0			A
$P_D$	Power Dissipation	400			mW
$T_J$	Junction Temperature	150			°C
$T_{STG}$	Storage Temperature	-65 to +150			°C

**Electrical Characteristics (Ta = 25 °C)**

Symbol	Parameter	Test Conditions		Min	Max	Units
$V_F$	Forward Voltage	$I_F=100mA$ $I_F=200mA$			1 1.25	V
$I_R$	Reverse current	$V_R=100V$ $V_R=150V$ $V_R=200V$	BAV19W BAV20W BAV21W		0.1 0.1 0.1	uA

**Electrical Characteristics (Ta = 25 °C)**

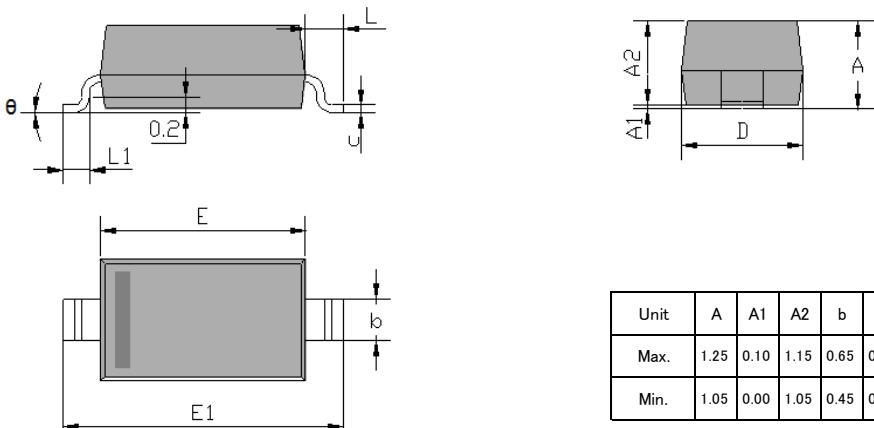
Symbol	Parameter	Test Conditions	Min	Max	Units
Ctot	Total capacitance	$V_R=0V, f=1MHz$		5	pF
trr	Reverse recovery time	$I_F=I_R=30mA, I_{rr}=0.1*I_R, R_L=100\Omega$		50	ns

**Ordering Information**

Device	Package	Shipping	Tape wide	Emboss pitch	Tape specification	Notes
BAV series	SOD123	Tape & Reel 3000pcs /7" Reel	8 mm	4 mm	Conductive	

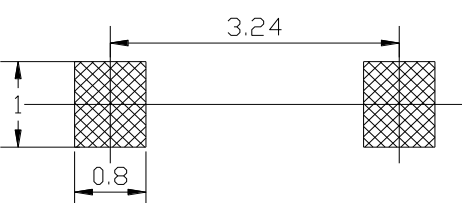
**Package Dimensions**

**Package outline : SOD-123**



Unit	A	A1	A2	b	c	D	E	E1	L	L1	$\theta$
Max.	1.25	0.10	1.15	0.65	0.15	1.70	2.80	3.85	0.500 REF.	0.45	8°
Min.	1.05	0.00	1.05	0.45	0.08	1.50	2.60	3.55		0.25	0°

**SOD123 Package Outline**



**Land Pattern Recommendation**

Note:  
 1. Halogen free, EMC  
 2. Pb free solder  
 3. Lead thickness includes solder plating  
 4. Lead frame: A42  
 5. Other Tolerance:  $\pm 0.05$   
 6. Dimensions are exclusive of Burrs, Mold Flash and Tie Bar extrusions  
 7. Unit: mm