



承認書

SPECIFICATION FOR APPROVAL

客戶名稱及編號:

K4625

CUSTOMER:

產品名稱:

TOGGLE SWITCH

DESCRIPTION:

產品型號:

ST-1-102-C03-N003-RS

MODEL NO:

本司料號:

SM00747ZUR

OUR PART NO:

客戶料號:

C312272

CUSTOMER PART NO:

承認書編號:

YF-ENG-F-30111

SPECIFICATION NO:

日期:

2019-3-11

DATE:

WRITTEN 制定: 雷艳平

APPROVAL 審核:

承認書附頁: 圖紙, 規格書

客戶承認欄

CUSTOMER APPROVAL SIGNATURE

MODEL NO.:

APPROVED NO.:

PART NO.:

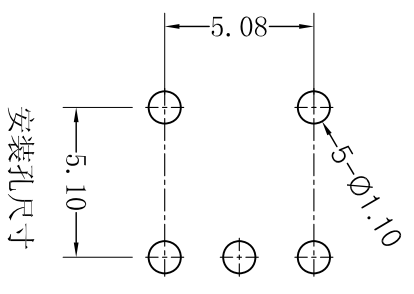
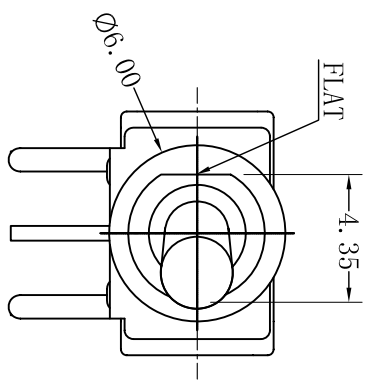
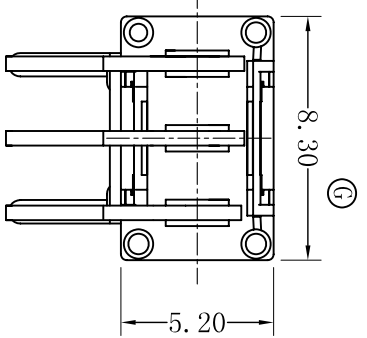
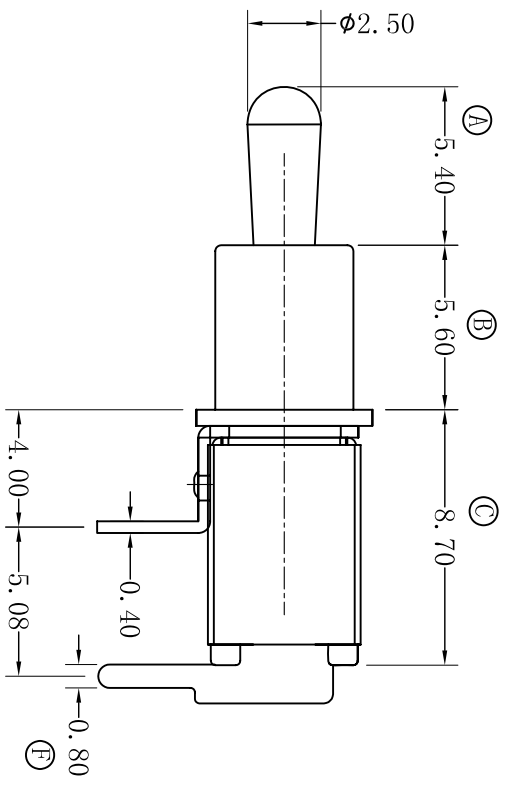
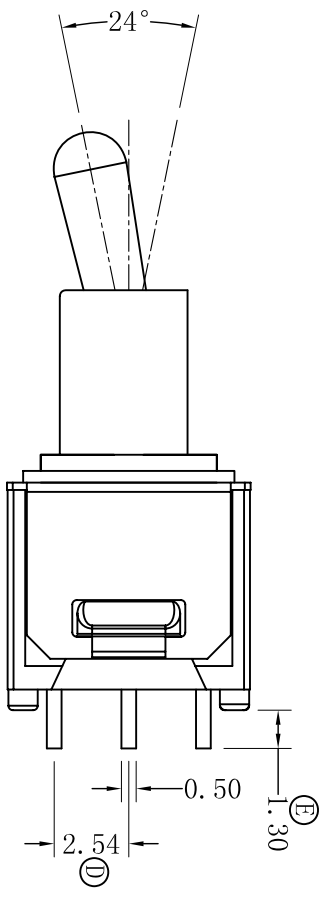
DATE:



深圳市寶安區福永鎮第一工業區 24 棟
Tel:0755-33809280~3 Fax:0755-33809285

| REV | DESCRIPTION | DESIGNER | DATE |
|-----|-------------|----------|------|
|-----|-------------|----------|------|

| 自由公差 | | 类别 | 公差 |
|------|---------|------|-------|
| 区分 | 0 | <0.5 | ±0.10 |
| | 0.50 | <5 | ±0.15 |
| | 5.0 | <10 | ±0.20 |
| | 10.0 | <20 | ±0.30 |
| | 20.0 | <50 | ±0.40 |
| | 未标注R角 | | R0.2 |
| | 未标注角度公差 | | ±1° |



标注: (A)-(F) 尺寸的重点检验尺寸

手柄位置及导通端子示意图

| Model NO. | POS. | | |
|-----------|--------|--------|--------|
| | POS. 1 | POS. 2 | POS. 3 |
| 102 | ON | NONE | ON |
| SCHEMATIC | | NONE | |

| NO | NAME | MATERIAL | QTY | FINISHING | NO | NAME | MATERIAL | QTY | FINISHING |
|----|------|----------|-----|-----------|----|------|----------|-----|-----------|
| 1 | 手柄 | 黄铜 | 1 | 镀铬 | 7 | 动触片 | H65 | 1 | 镀银 |
| 2 | 轴套 | 黄铜 | 1 | 镀铬 | 8 | 端子 | H65 | 3 | 镀银 |
| 3 | 铁盖 | SUS | 1 | 本色 | 9 | 底座 | PPA | 1 | 红色 |
| 4 | 弹簧 | 碳钢 | 1 | 黑色 | 10 | 插脚 | 黄铜 | | 镀银 |
| 5 | 摆杆 | SPCC | 1 | 镀镍 | | | | | |
| 6 | 滑块 | PA46 | 1 | 黑色 | | | | | |

| | | | |
|-------------------|-----------------------------|-------|----------|
| SCALE | 1:1 | UNIT: | mm |
| CKD | | DWN | 黄泳何 |
| APVD | | DATE | 2018-3-2 |
| SPECIFICATION NO. | YF-ENG-F-30111 | | |
| TITLE | Sub-Miniature Toggle Switch | | |
| PART NO. | ST-1-102-C03-N003-RS | | |
| MATERIAL NO. | SM00747ZNR | | |

源丰电子(深圳)有限公司

Yuenfung Ee (Shenzhen) Company Co, Ltd

YuenFung Electrnoic(shenzhen)Co.ltd

源丰电子(深圳)有限公司

| | | | |
|---------------------------------------|--|---|--|
| SPECIFICATION 规格书 | | 承认书编号 | YF-ENG-F-30111 |
| | | 版 本 | A/0 |
| | | 页 次 | 第1页 共3页 |
| | | 发布日期 | 2018-9-11 |
| WRITTEN 制定 | 邓颖恒 | 审 核 | |
| | | APP'D审批 | |
| MODEL SERIES NAME 系列名称: | | TOGGLE SWITCH | |
| MODEL NO 产品型号: | | ST-1-102-C03-N003-RS | |
| 1. RATING 额定值: | | 3A 250VAC 1.5A 125VAC | |
| 2. FUNCTION 接触型式: | | SPDT 3P | |
| 3. CIRCUITRY TRAIT: | | ON-ON | |
| 4. ELECTRICAL CHARACTERISTICS 电气性能规格: | | | |
| ITEM 项目 | TEST CONDITIONS 测试条件 | | PERFORMANCE 表现 |
| 4.1 | CONTACT RESISTANCE 接触电阻 | MEASURED AT SMALL CURRENT(100mA OR LESS)1000Hz 在微小电流(100mA)以下测试. | 50m Ω MAX 50毫欧以下 |
| 4.2 | INSULATION RESISTANCE 绝缘电阻 | APPLY A VOL TAGE OF 500V DC FOR 1 MIN.TO FOLLOWING PORTIONS AFTER WHICH MEASUREMENT SHALL BE MADE: (1)BETWEEN BODY AND CONDUCTOR. (2)BETWEEN CONDUCTORS NOT TO BE CONTACT. 输入500V DC电压1分钟,按以下接触方法测试: (1)接触端子之间. (2)塑胶体与端子之间. | 100M Ω MIN 100兆欧以上 |
| 4.3 | DIELECTRIC STRENGTH 耐电压 | AC1500V ims(50-60Hz)FOR 1 MIN : (1)BETWEEN TERMINALS. (2)BETWEEN INDIVIDUAL TERMINALS AND FRAME. 输入AC1500V (50-60Hz)电压1分钟,按以下接触方法测试: (1)接触端子之间.(2)塑胶体与端子之间. | NO DAMAGE TO PARTS ARCING,OR BREAKDOWN ETC. 没有绝缘破坏等异常. |
| 5 | PRACTICAL TEMPERATURE RANGE 使用温度范围 | A-16℃~+85℃ 在-16℃~+85℃温度内使用 | |
| 6 | STANDARD ATMOSPHEIC CONDITIONS 测试标准状态 | UNLESS OTHERWISE SPECIFIED. THE STANDARD RANGE OF ATMOSPHERIC CONDITIONS FOR MAKING MEASUREMENTS AS FOLLOWS: (1)AMBIENT TEMPERATURE:5℃TO35℃. (2)RELATIVE HUMIDITY:45%TO85%. 在没有指定的情况下测试温度,湿度如下: (1)温度为5℃-35℃.(2)湿度为45%-85%. | |
| 6.1 | STORE THE PERIOD 储存期 | TEMPERATUER: 0℃~30℃ 温度: 0℃~30℃ DEGREE OF HUMIDITY 湿度40%~70% | THREE MONTH 三个月 |

YuenFung Electrnoic(shenzhen)Co.ltd

源丰电子(深圳)有限公司

| | | | |
|----------------------|-----|---------|----------------|
| SPECIFICATION 规格书 | | 承认书编号 | YF-ENG-F-30111 |
| | | 版 本 | A/0 |
| | | 页 次 | 第2页 共3页 |
| | | 发布日期 | 2018-9-11 |
| WRITTEN 制定 | 邓颖恒 | 审 核 | |
| | | APP'D审批 | |

7.MECHANICAL CHARACTERISTICS 机械性能规格:

| ITEM项目 | TEST CONDITIONS 测试条件 | PERFORMANCE 表现 |
|--------|------------------------------|--|
| 7.1 | OPERATION FORCE 作动力 | 250±80gf |
| 7.2 | TERMINAL STRENGTH 端子强度 | A STATIC LOAD OF 1KgF SHALL BE APPLIED TO THE TIP OF THE TERMINAL FOR 15 SEC IN ANY DIRECTION 在任意一个方向的前端加上1KgF力度测试,时间为15秒. |
| 7.3 | LIFE TEST 寿命测试 | 1.ENDURANCE WITHOUT LOADING:THE TEST SHOULD BE TAKEN AT A SPEED OF 6-8 CYCLES FOR 1 MIN;1.5 TIMES OF THE STANDARD FORCE 无负荷:每分钟6-8回速度测试压力不得超过标准力度1.5倍.进行测试 2.ENDURANCE WITH LOADING: THE TEST SHOULD BE TAKEN AT A SPEED OF 6-8 CYCLES FOR 1 MIN; OPERATE PRESSURE SHOULD BE UNDER THE 1.5 TIMES OF THE STANDARD FORCE 负荷:在负荷的条件下以每分钟6-8回的速度压力不得超过标准力度1.5倍.进行测试 |

8.DURABILITY 耐久性:

| ITEM项目 | TEST CONDITIONS 测试条件 | PERFORMANCE 表现 |
|--------|--|--|
| 8.1 | SOLDERABILITY TEST 可焊性试验 | THE TOP OF THE TERMINALS SHALL BE DIPPED 2mm IN THE SOLDER BATH OF 230±10°C FOR 3±0.5 SECONDS. 端子顶部被浸入锡焊池中2mm深,浓度为230±10°C,时间为3±0.5秒. |
| 8.2 | RESISTANCE TO SOLDERING HEAT TEST 耐焊性试验 | SOLDER BATH METHOD:SOLDER TEMPERATURE 260±5°C, IMMERSION TIME 3±0.5 SEC, IMMERSION DEPTH UP TO THE SURFACE OF THE BOARD, DIMENSIONS OF COMPONENT HOLES IN THE PRINTED WIRING BOARD SHALL BE IN ACCORDANCE WITH THOSE SPECIFIED IN THIS SPECIFICATION. 焊炉焊接的时候温度控制在260±5°C,过炉时间3±0.5秒. 手焊接的时候温度控制在360°C ± 5°C, 时间为3±0.5秒. |

YuenFung Electrnoic(shenzhen)Co.ltd

源丰电子(深圳)有限公司

| SPECIFICATION 规格书 | | 承认书编号 | YF-ENG-F-30111 |
|----------------------|-----------------------|---|---|
| | | 版 本 | A/0 |
| | | 页 次 | 第3页 共3页 |
| | | 发布日期 | 2018-9-11 |
| WRITTEN 制定 | 邓颖恒 | 审 核 | |
| | | APP'D审批 | |
| ITEM项目 | | TEST CONDITIONS 测试条件 | PERFORMANCE 表现 |
| 8.3 | HEAT TEST 耐热试验 | <p>THE SWITCH SHALL BE STORED AT A TEMPERATURE OF 85±2℃ FOR 96 HOURS.THEN THE SWITCH SHALLBE MAINTAINED AT STANDARD ATMOSPHERICCONDITION FOR 1 HOUR AFTER WHICHMEASUREMENT SHALL BE MADE.</p> <p>放置在温度85±2℃中测试96小时后,再放置正常室温中1小时来测定.</p> | <p>THERE SHALL BE NO DEFORMATION OR CRACKSINMOLDED PART 外观无异常,满足于机械,电器性能.</p> |
| 8.4 | COLD TEST 耐冷试验 | <p>THE SWITCH SHALL BE STORED AT A TEMPERATURE OF -20+3℃ FOR 96 HOURS,THEN THE SWITCH SHALL BE MAINTAINED AT STANDARD ATMOSPHERIC CONDITION FOR 1 HOUR AFTER WHICH MEASUREMENT SHALL BE MADE.</p> <p>放置在温度-20+3℃中96小时后,再放置常温中1小时来进行测试.</p> | |
| 8.5 | HUMIDITY TEST 潮湿试验 | <p>THE SWITCH SHALL BE STORED AT A TEMPERATURE OF 40±2℃ AND A HUMIDITY OF 90% TO95% FOR 96 HOURS.THEN THE SWITCH SHALL BE MAINTAINED AT STANDARD ATMOSPHERE CONDITION FOR 1 HOUR AFTER WHICH MEASUREMENT SHALL BE MADE.</p> <p>放置40±2℃试验的相对湿度为90%-95%环境中96小时后,再将样板放在正常环境1小时后进行测试.</p> | |