

# APPROVAL SPECIFICATIONS

Title. IPX6 24PIN沉板1.6防水TYPE-C插座

Product Model. TYC-342-24CB16

Customer's Part NO.

Customer's Model:

## **Customer's Approval Requested.**

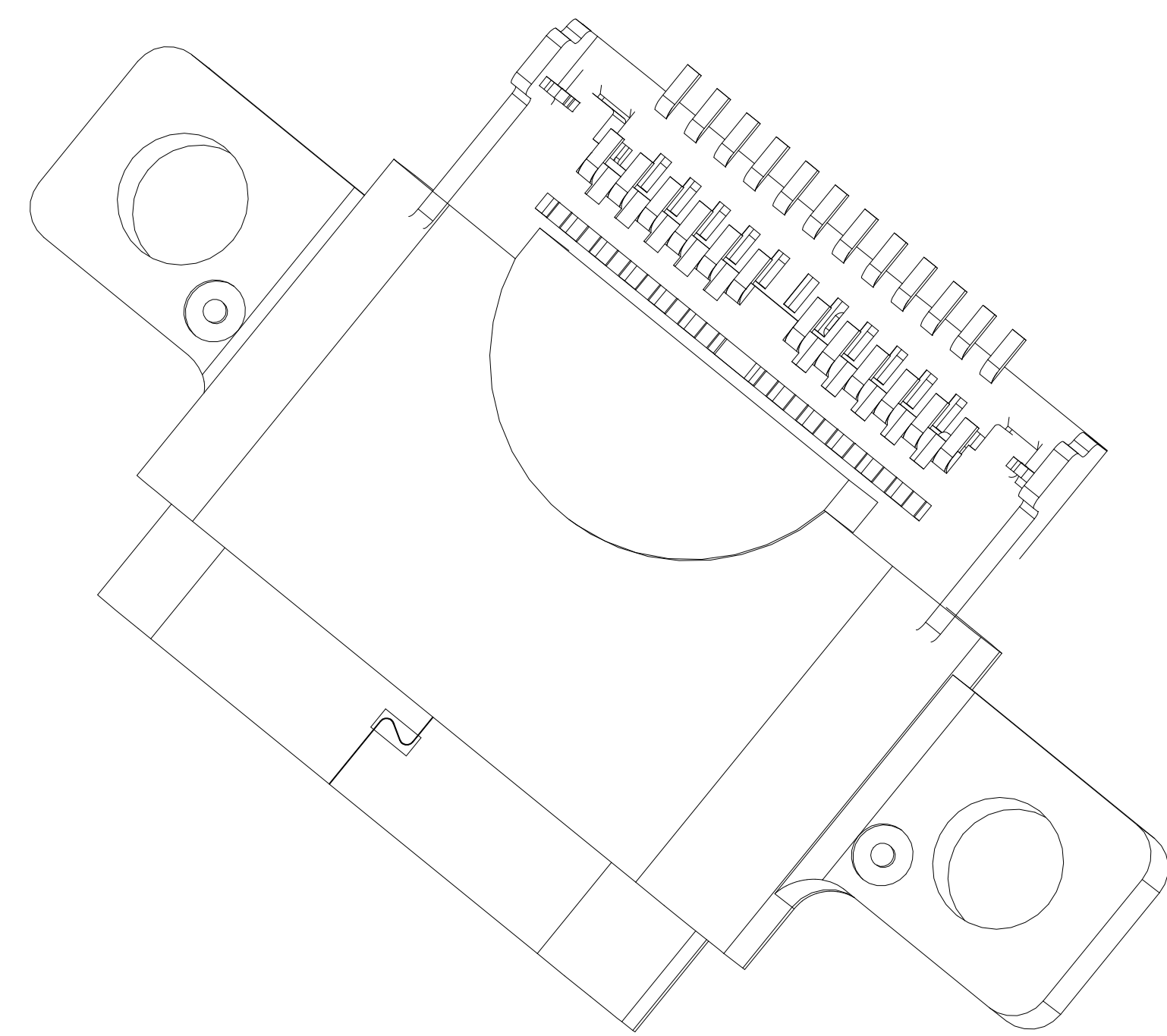
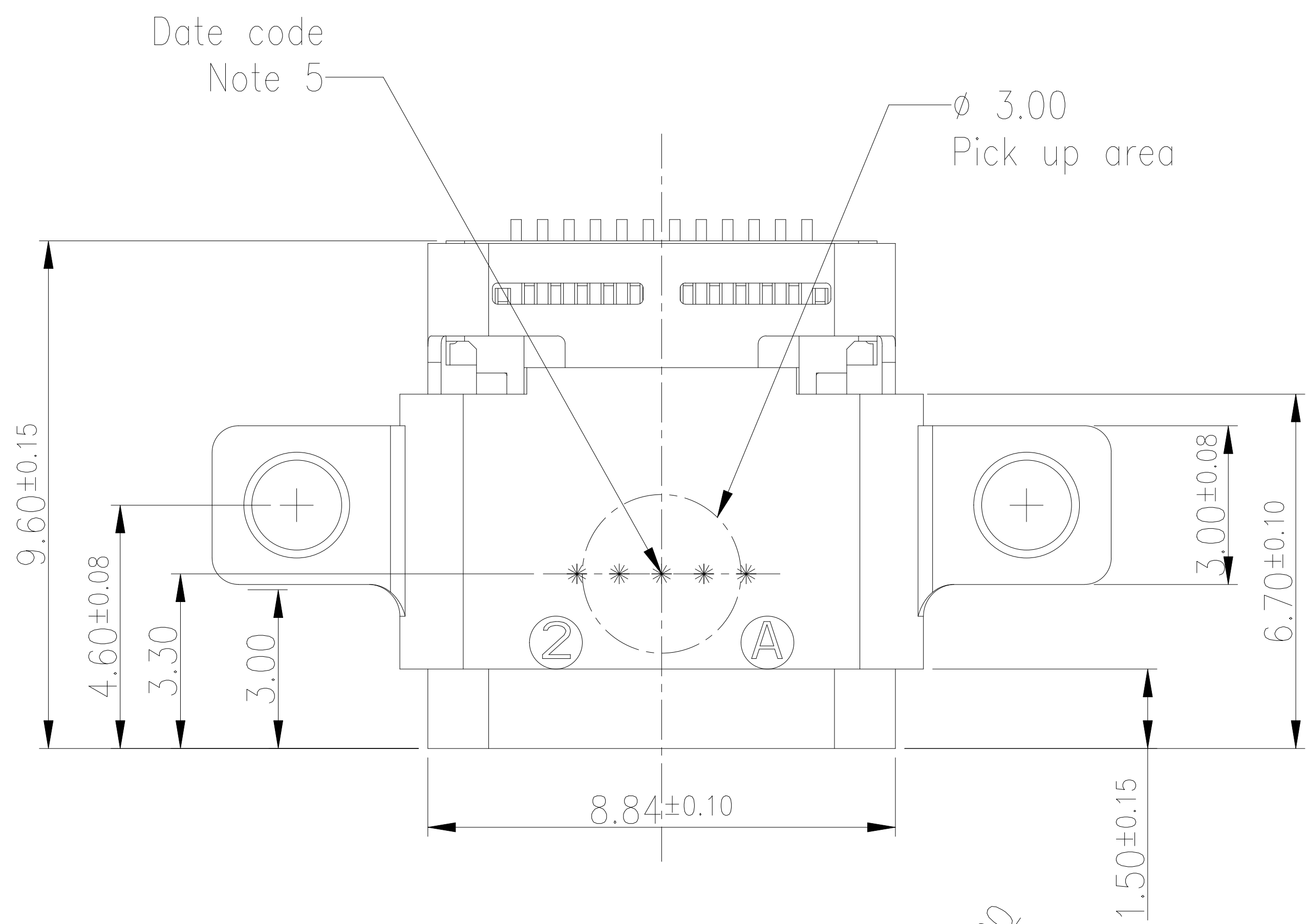
Please return this copy as a certification of your approval.

Checked by: \_\_\_\_\_ Date: \_\_\_\_\_

Approved by: \_\_\_\_\_ Date: \_\_\_\_\_

APPROVE	REVIEW	POLT
王凯	林永坚	陈旺

**XUNPU ELECTRONICS CO.,LTD**

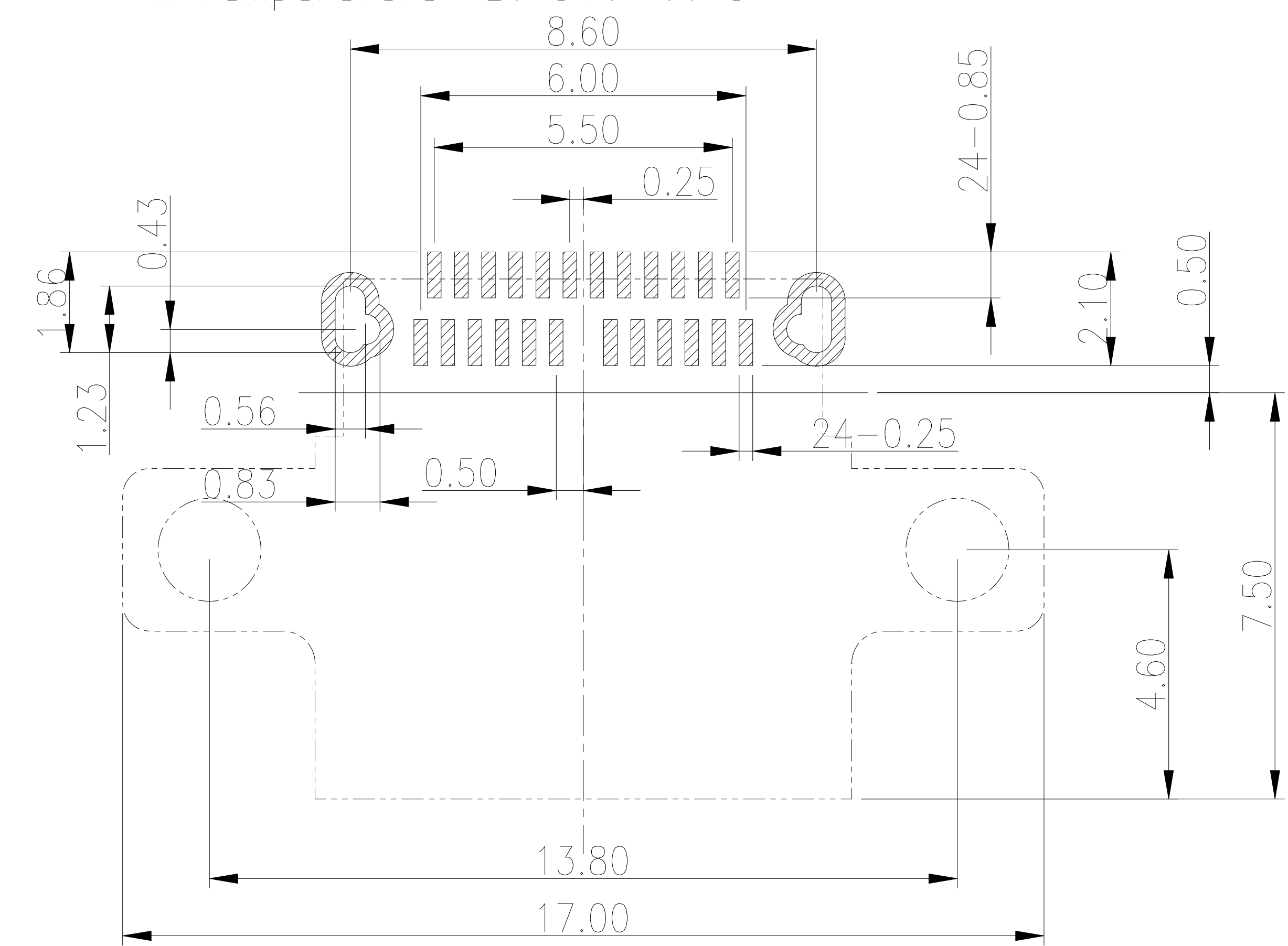
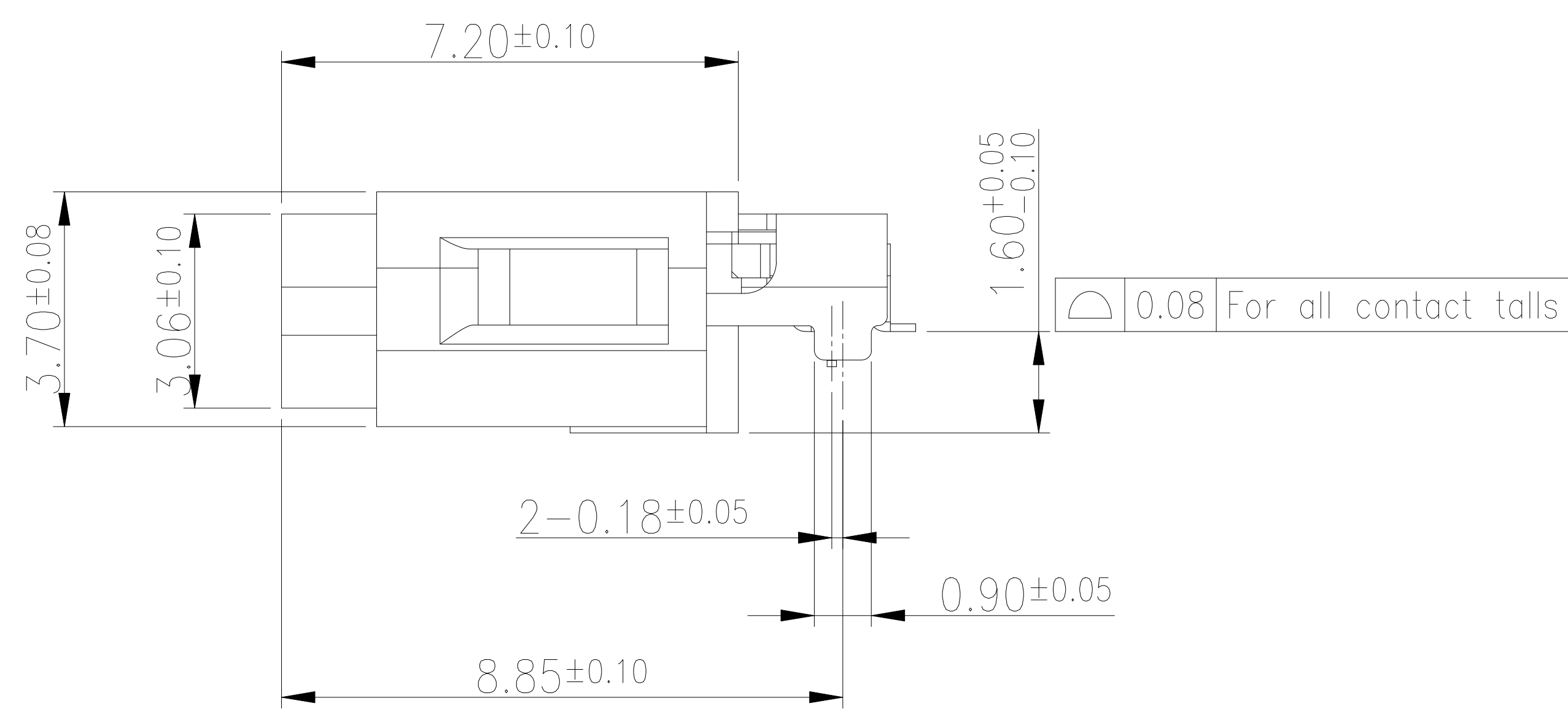
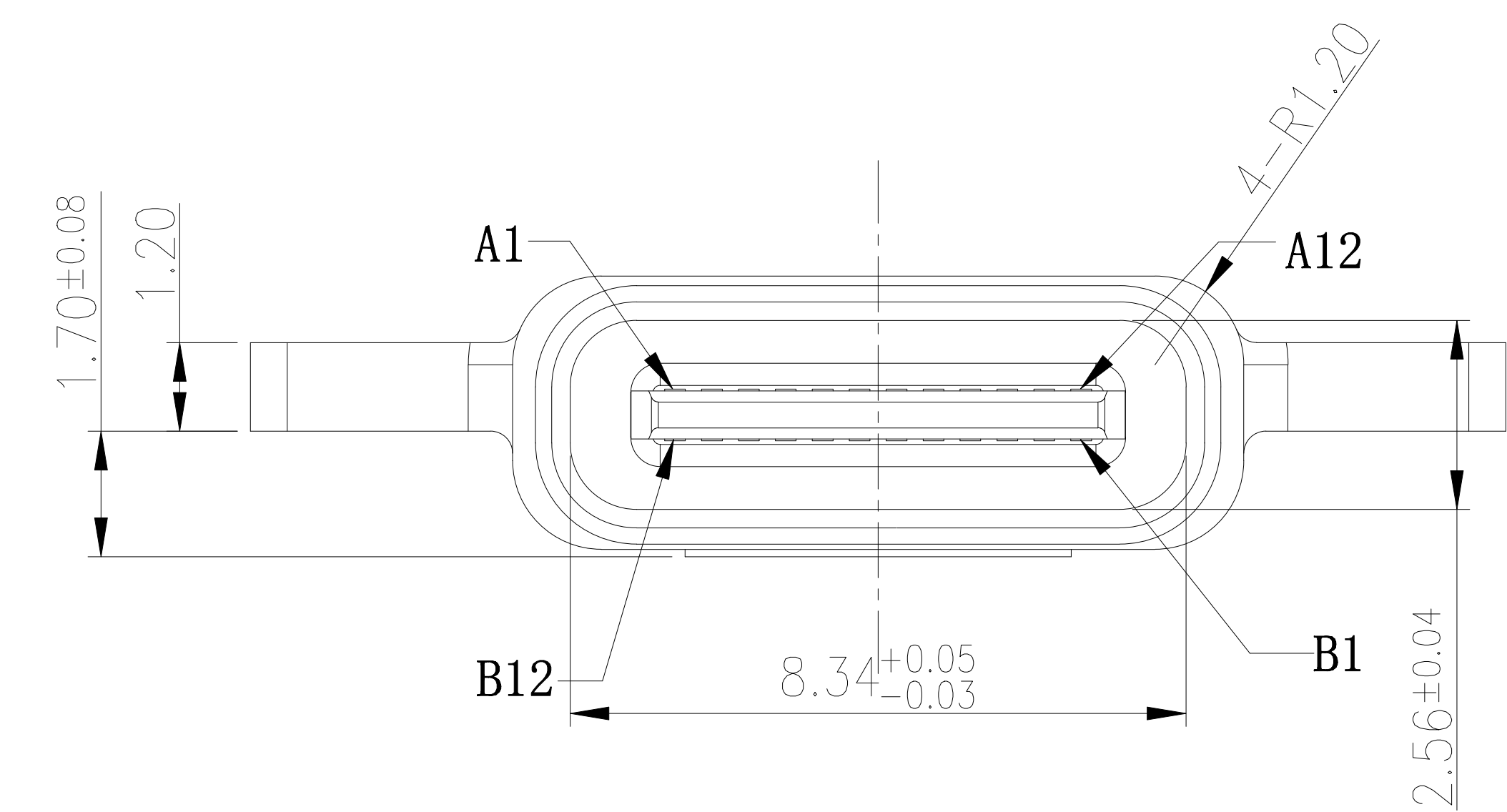


Notes:

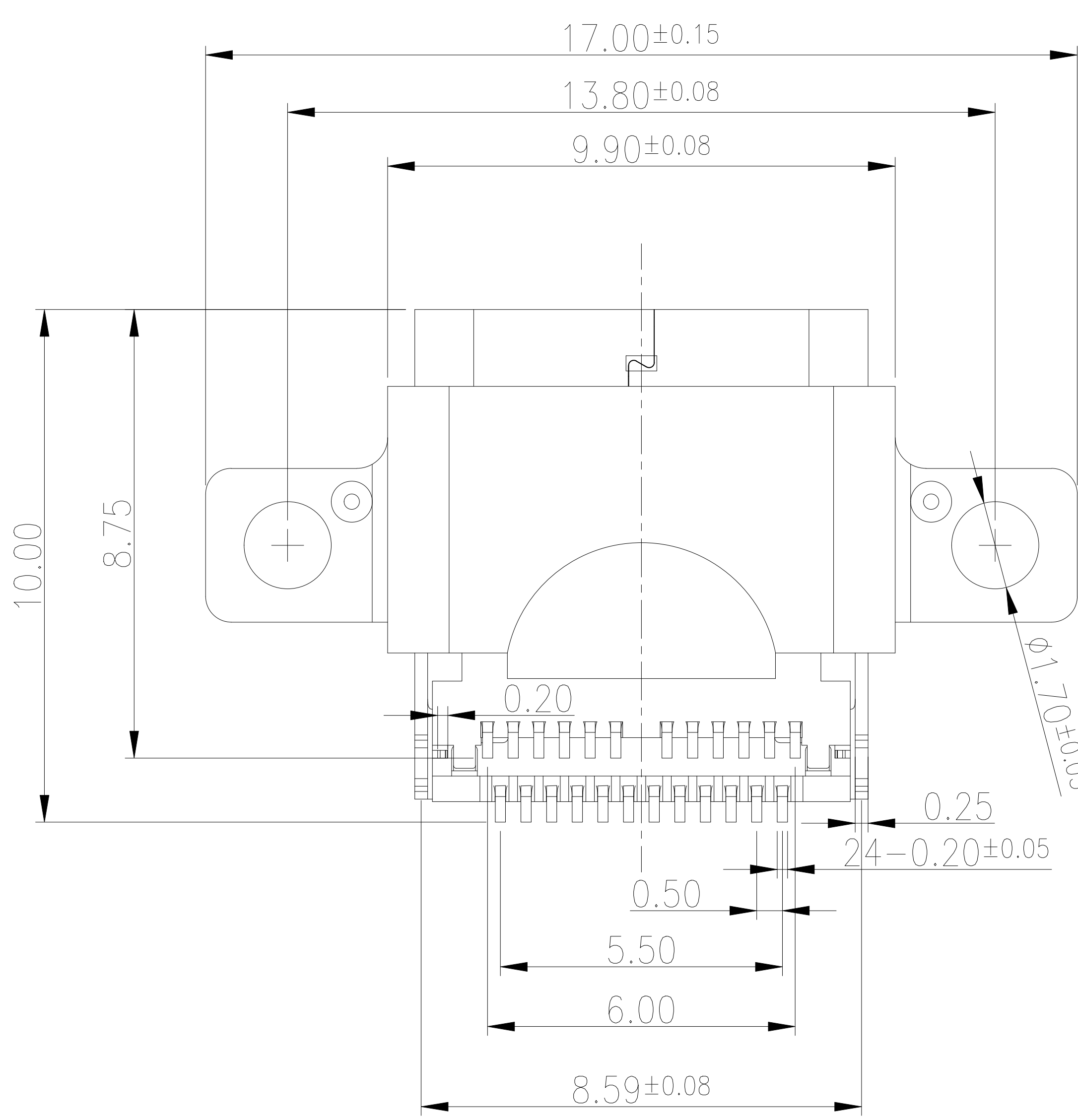
1. Dimension shall be interpreted per ASME Y14.5M1994.
2. Dimension marked ▽ & ▼ should be checked by Q.C. and process, engineers and ▽ should also check the CPK data.

Specification:

1. Current Rating: 1.0 AMP
2. Voltage Rating: 30V AC,DC
3. Dielectric Strength: 500V AC RMS for 1 minute.
4. Contact Resistance: 30 mΩ Max.
5. Insulator Resistance: 500MΩ Min. AT 250V DC.
6. Mating/Unmating cycles: 2000cycles
7. Temperature: -20°C to +60°C



P.C.B LAYOUT



A1	GND	B12	GND
A2	SSTXP1	B11	SSRXP1
A3	SSTXN1	B10	SSRXN1
A4	VBUS	B9	VBUS
A5	CC1	B8	SBU2
A6	DP1	B7	DN2
A7	DN1	B6	DP2
A8	SBU1	B5	CC2
A9	VBUS	B4	VBUS
A10	SSRXN2	B3	SSTXN2
A11	SSRXP2	B2	SSTXP2
A12	GND	B1	GND
PIN	SIGNAL NAME	PIN	SIGNAL NAME

NO.	DESCRIPTION	MATERIAL	REMARKS	QTY
5	SHELL	STAINLESS STEEL	NI/SN Plated	1PCS
4	SPRING	STAINLESS STEEL		1PCS
3	SHIELDING PLATE	STAINLESS STEEL	NI Plated	1PCS
2	CONTACT	COPPER ALLOY	Au/Ni Plated	1SET
1	HOUSING	HIGH TEMPERATURE PLASTIC	BLACK	1PCS

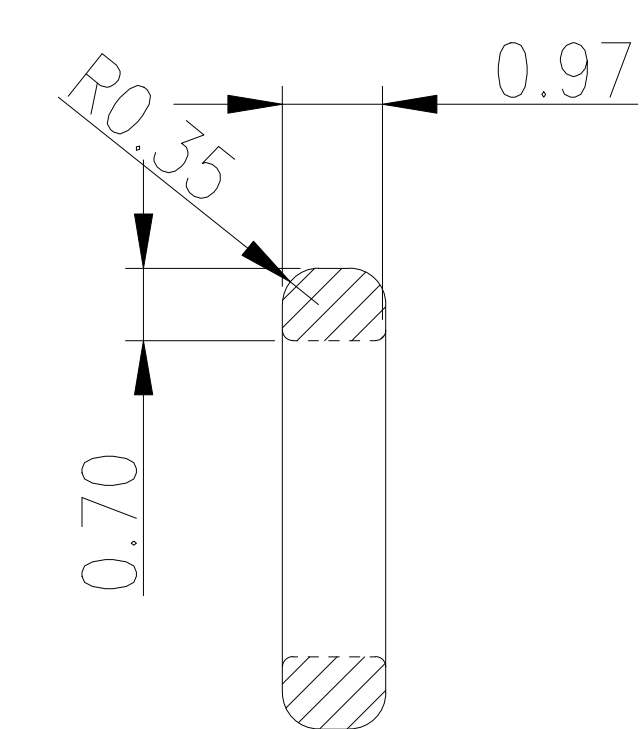
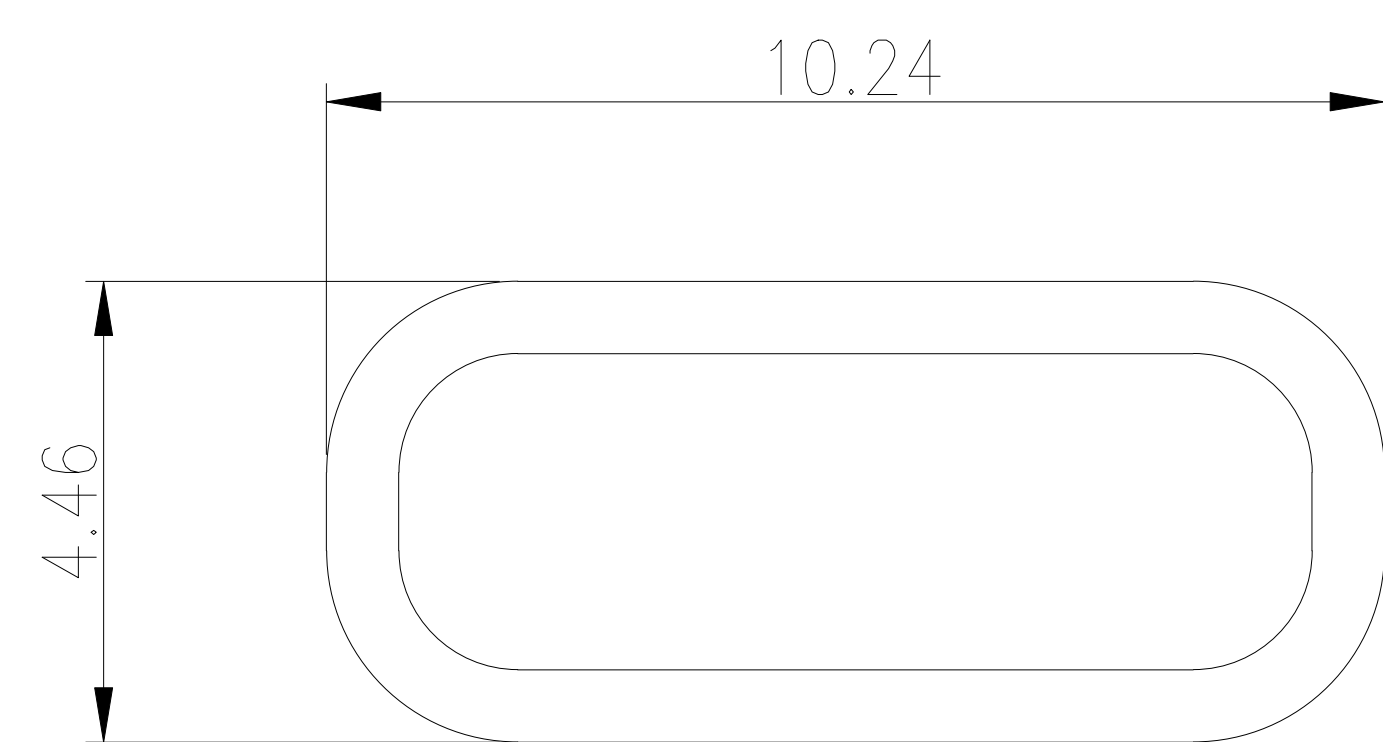
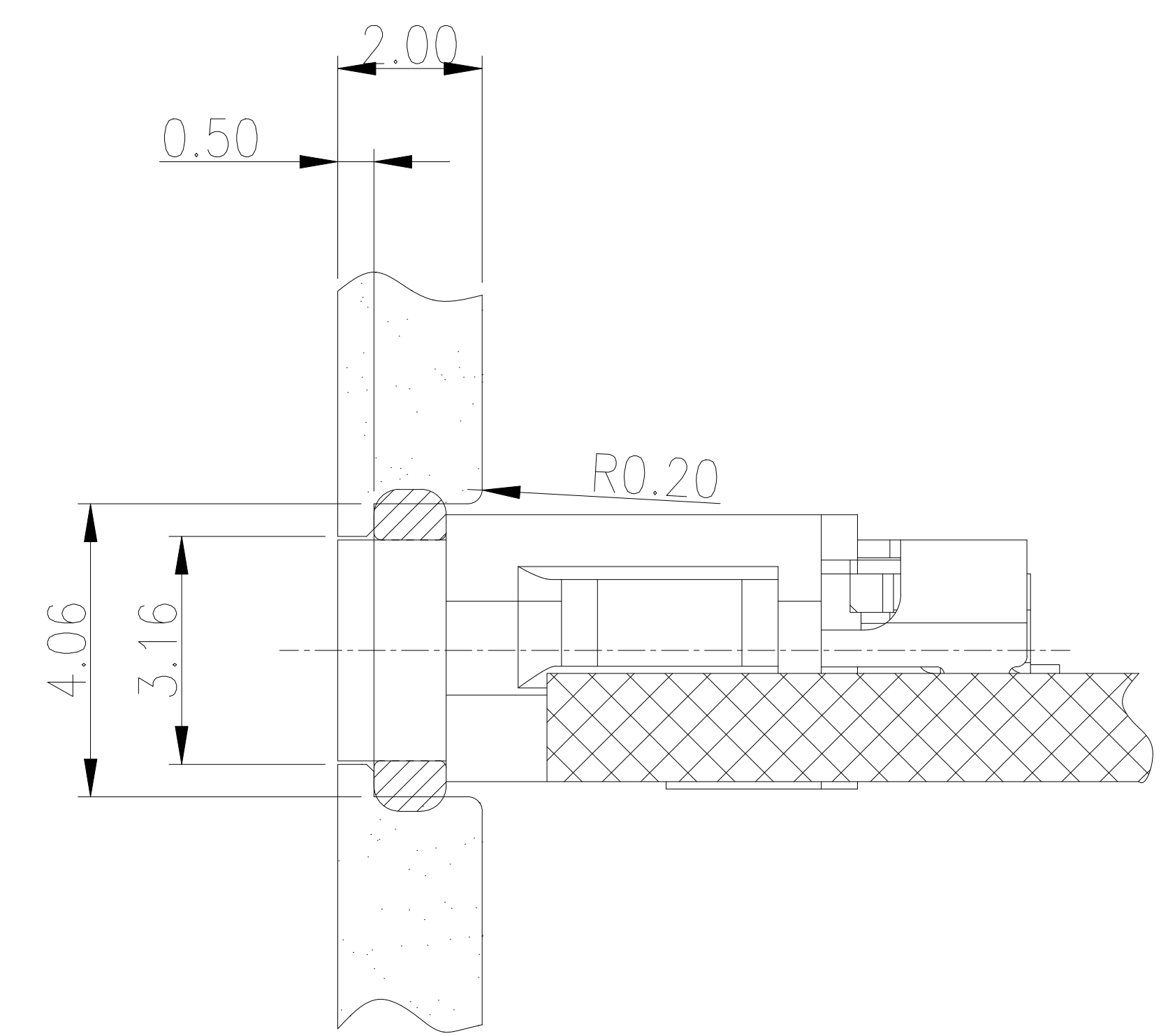
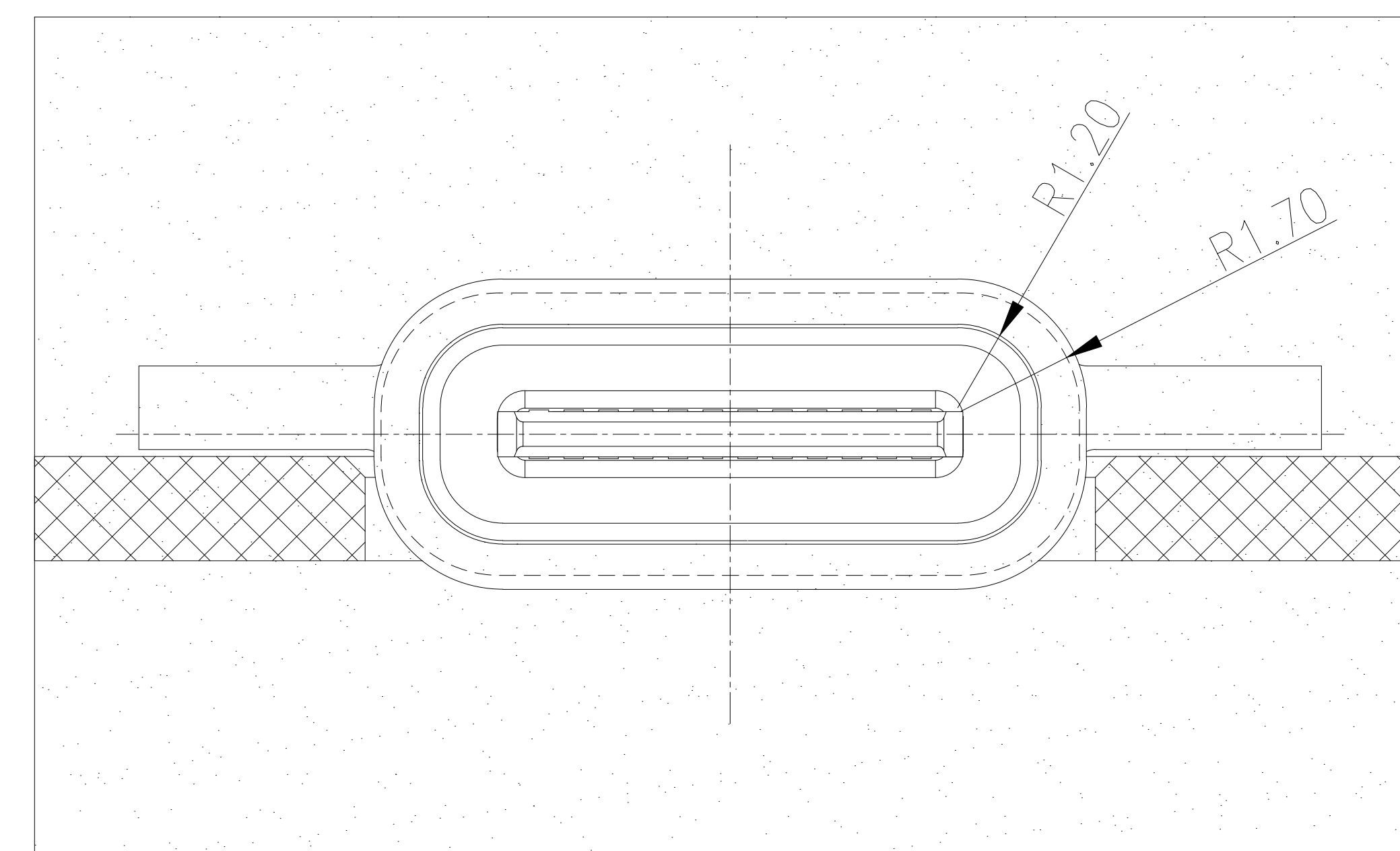
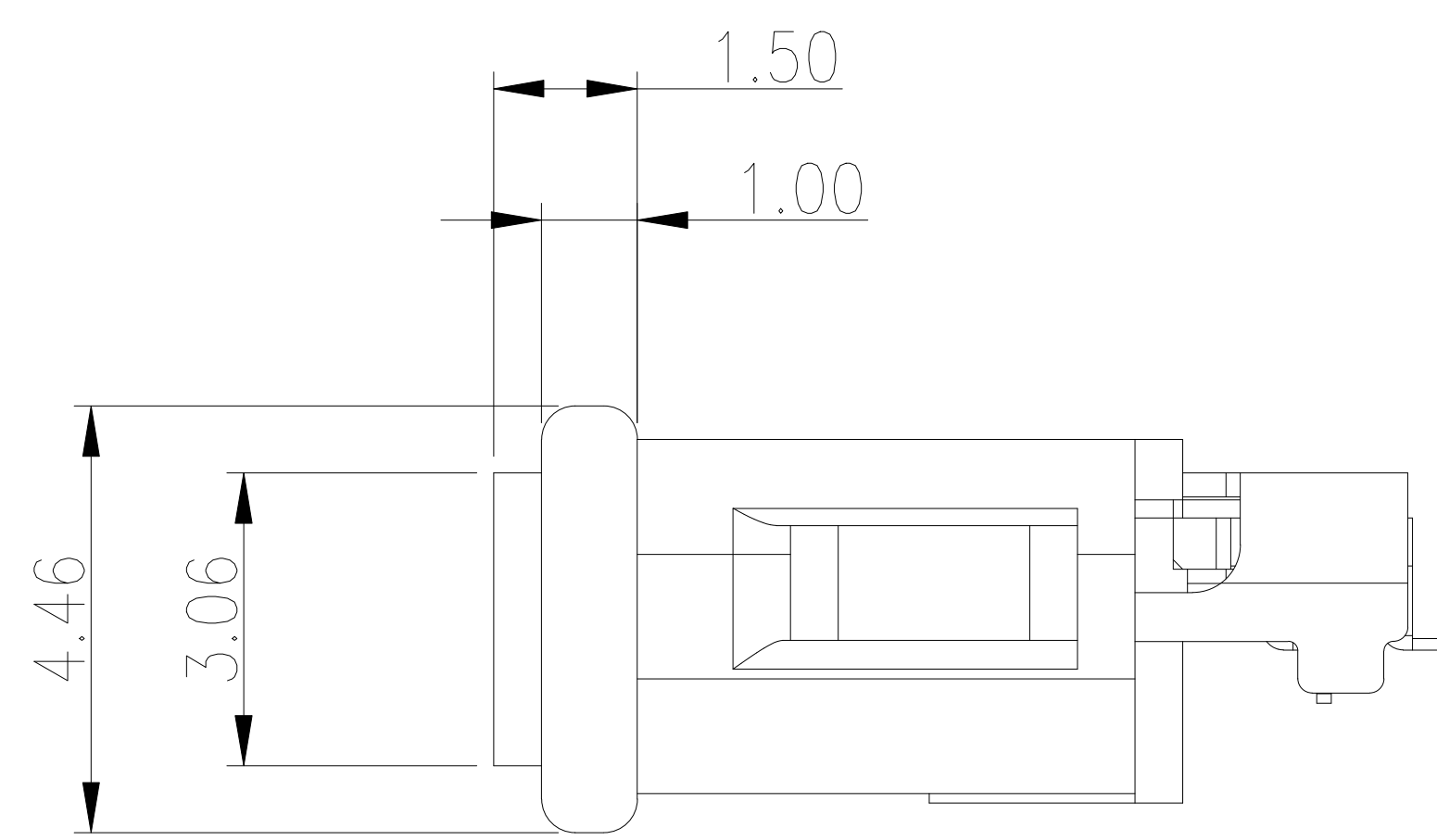
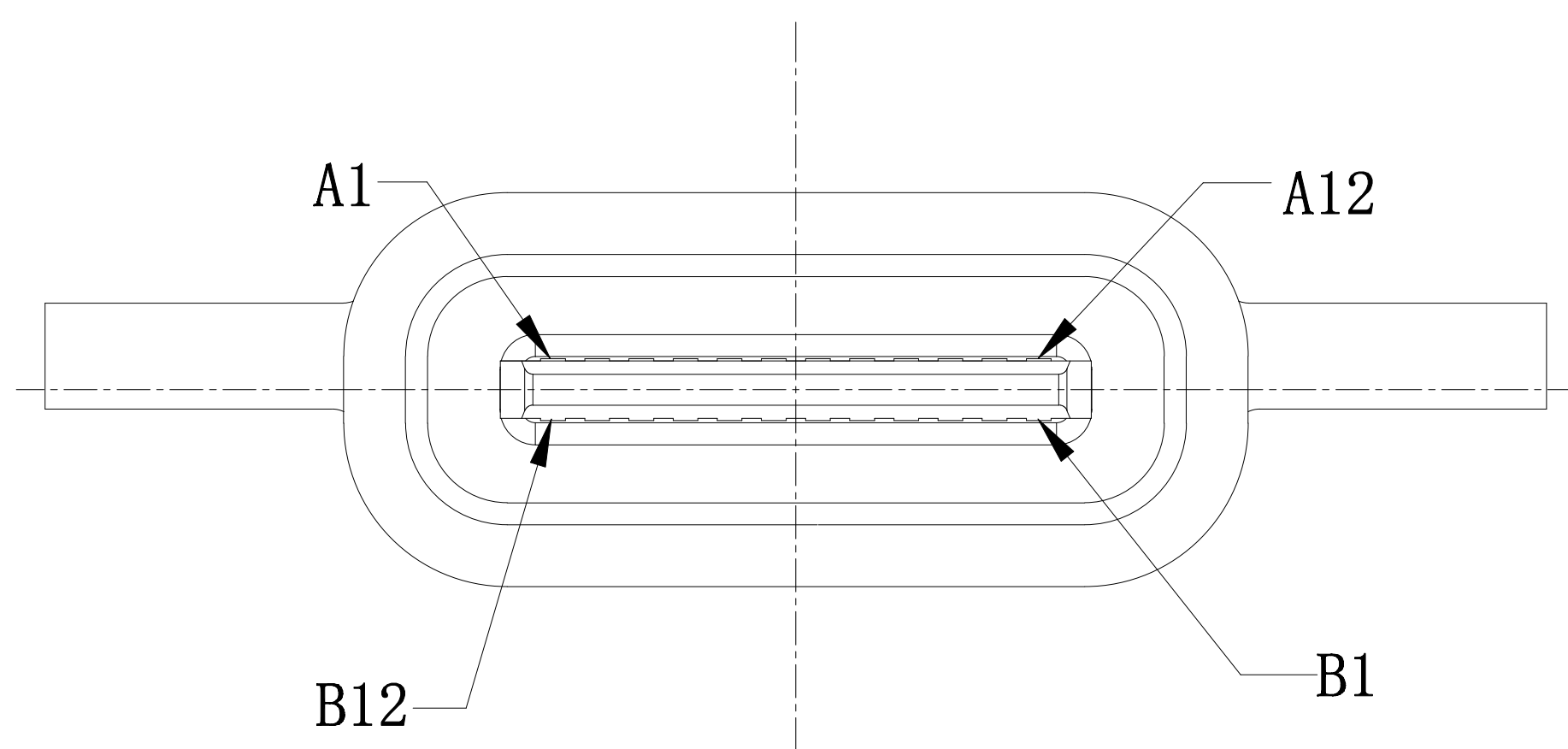
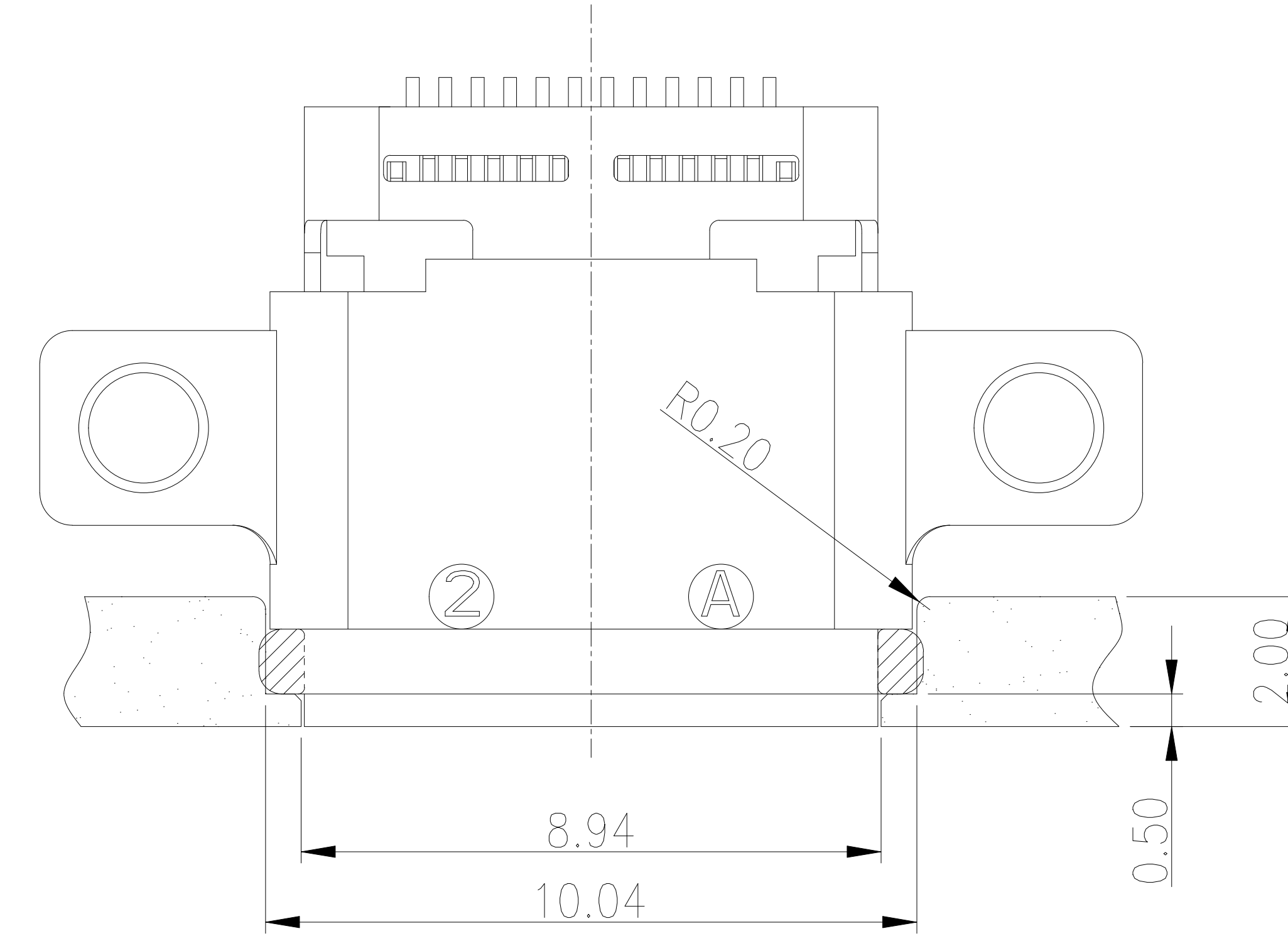
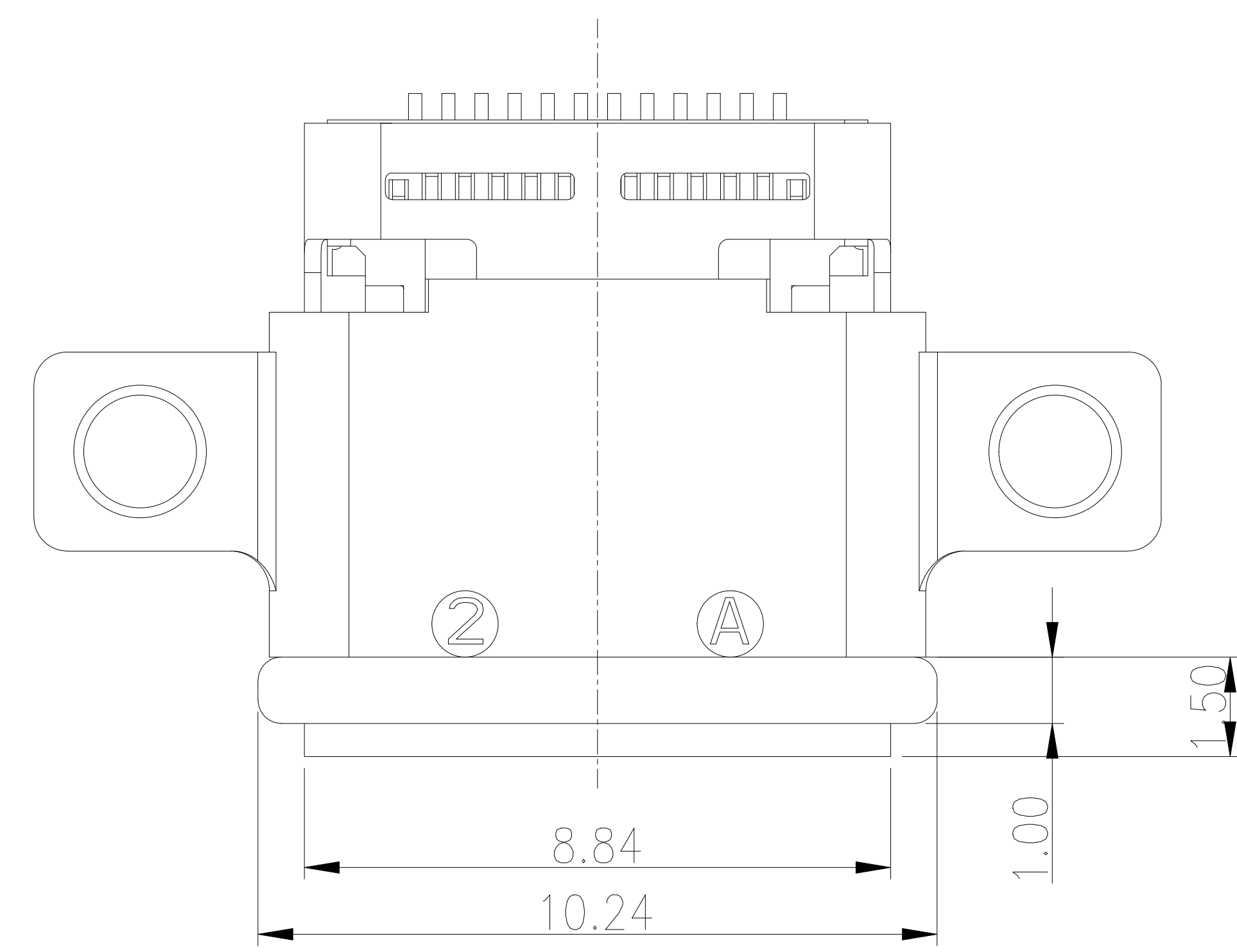
TOLERANCE:		UNIT
X. ±0.15	X.° ±1°	MM
.X ±0.10	.X° ±1°	SHEET
.XX ±0.05	.XX° ±1.0°	1/1
.XXX±0.03		SCALE
		1:1
		REV:A

东莞市讯普电子科技有限公司  
DONGGUAN XUNPU ELECTRONICS CO.,LTD

DRAW:	Andy	2019.01.15	P/N:	TYC-342-24CB16
DESIGN:	Andy	2019.01.15	ITEM:	TYPE C 3.1 24PIN母頭 沉板1.6防水
CHECK:			DRW NO:	
APPR:				

1 | 2 | 3 | 4 | 5 | 6

A



B

C

D

TOLERANCE:		UNIT
X. ±0.15	X° ±1°	MM
.X ±0.10	.X° ±1°	SHEET
.XX ±0.05	.XX° ±1.0°	1/1
.XXX ±0.03		SCALE
		1:1
		REV:A

<b>东莞市讯普电子科技有限公司</b> <b>DONGGUAN XUNPU ELECTRONICS CO.,LTD</b>		
DRAW:	Andy	2019.01.15
DESIGN:	Andy	2019.01.15
CHECK:		
APPR:		
P/N: TYC-342-24CB16		ITEM: TYPE C 3.1 24PIN母頭 沉板1.6防水
DRW NO:		

LTR	ECN NO	REVISION	RECORD	DRAW	DATE
1			2		

1 | 2 | 3 | 4 | 5 | 6