

APPROVAL SPECIFICATIONS

Title. IPX6 16PIN沉板防水TYPE-C插座

Product Model. TYC-340-16CB16

Customer's Part NO.

Customer's Model:

Customer's Approval Requested.

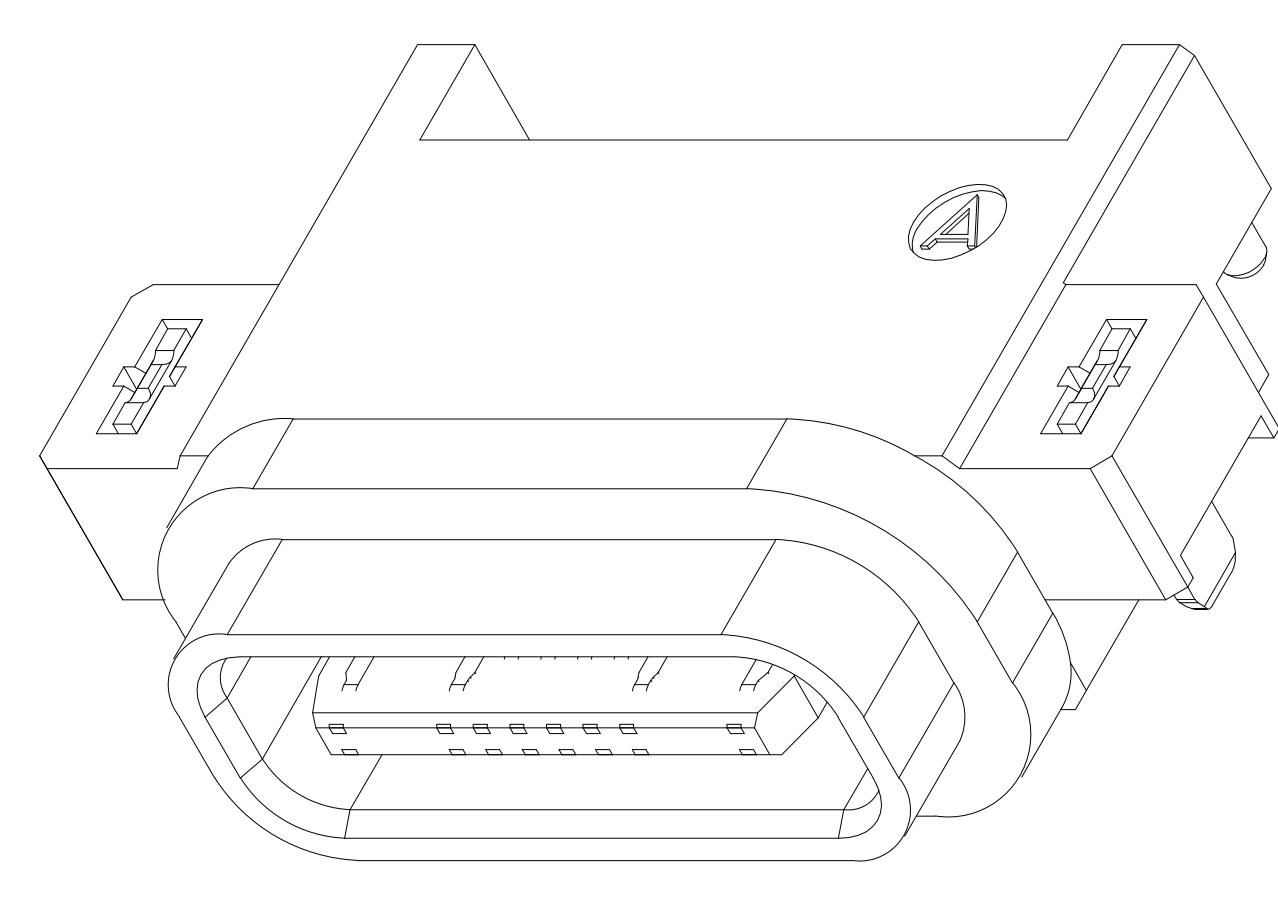
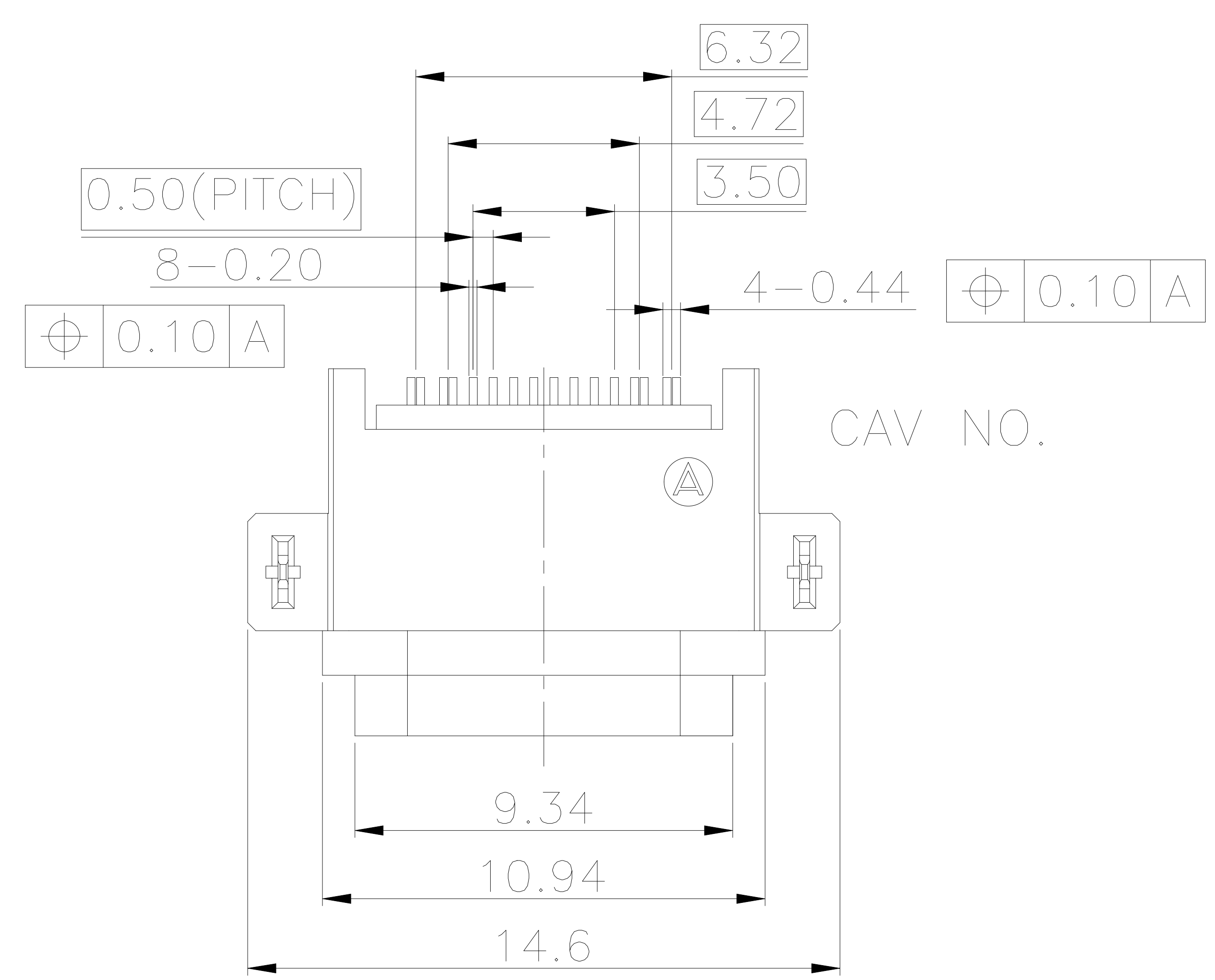
Please return this copy as a certification of your approval.

Checked by: _____ Date: _____

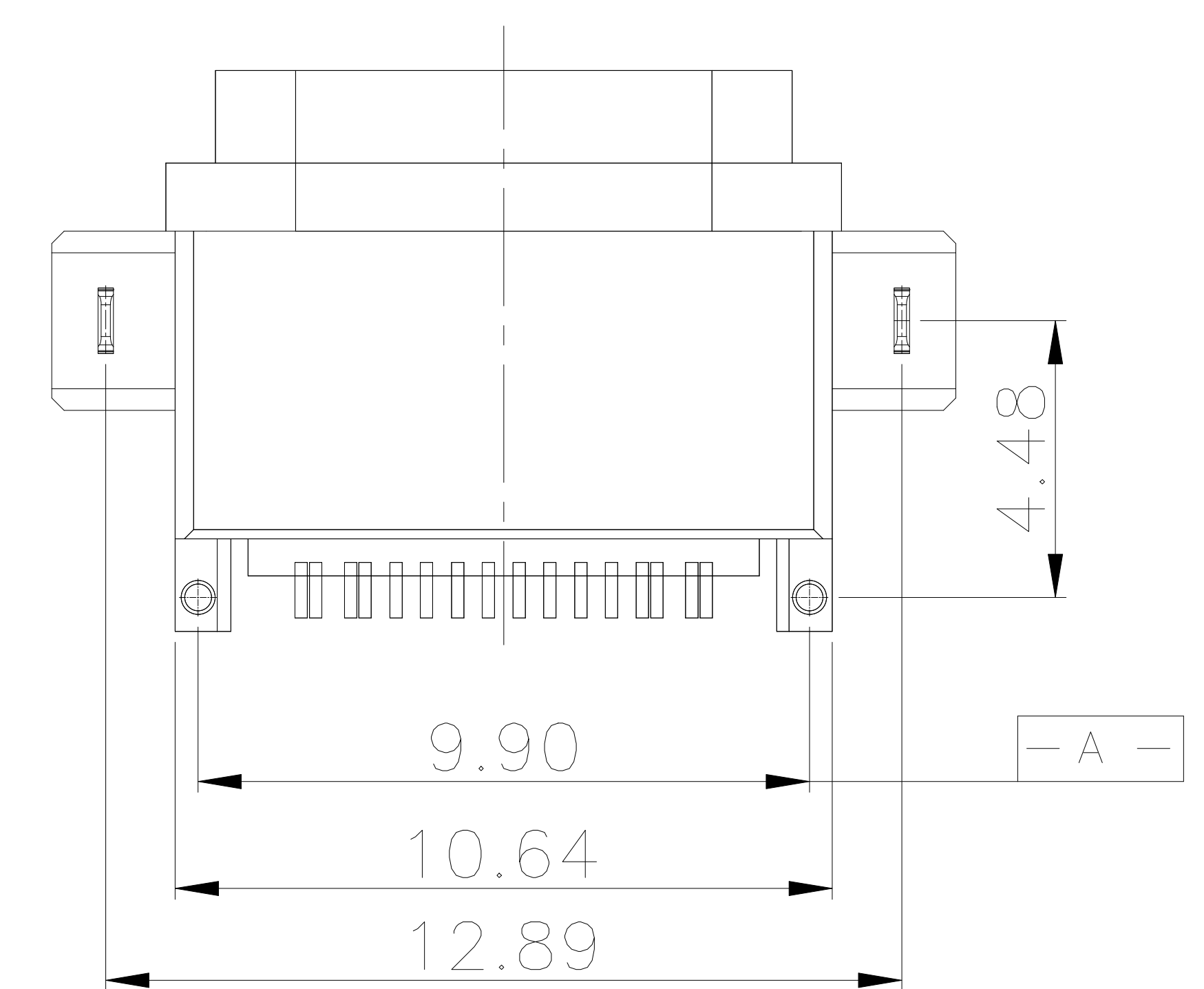
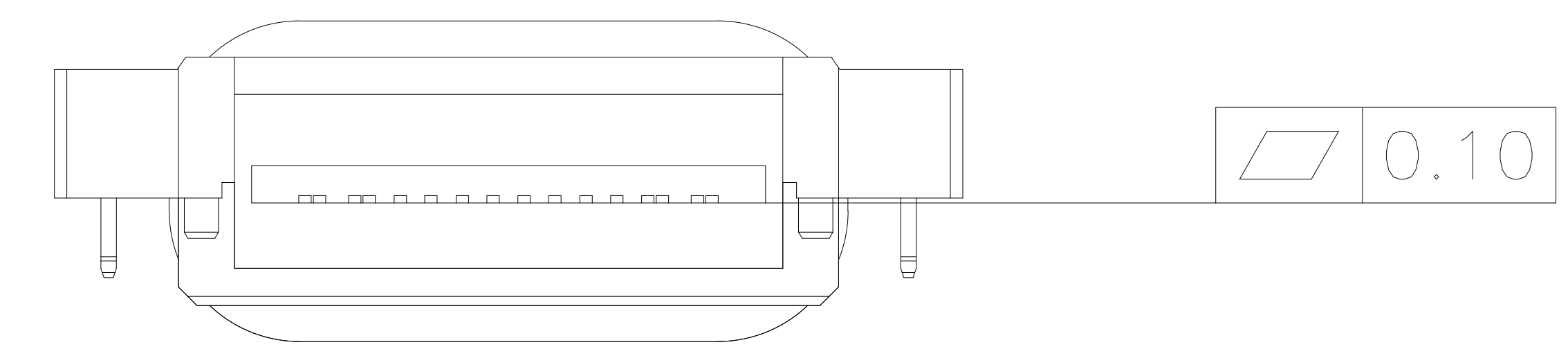
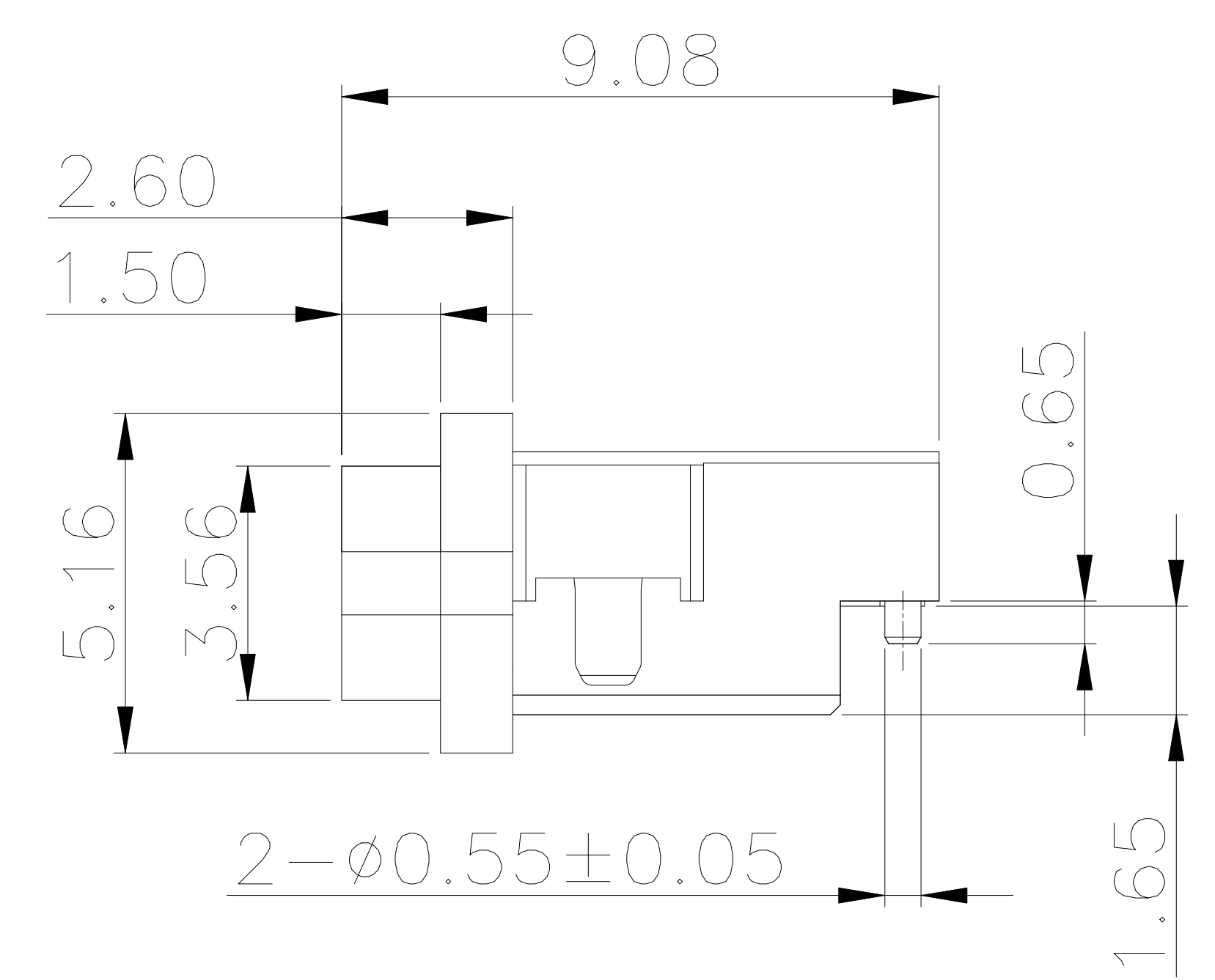
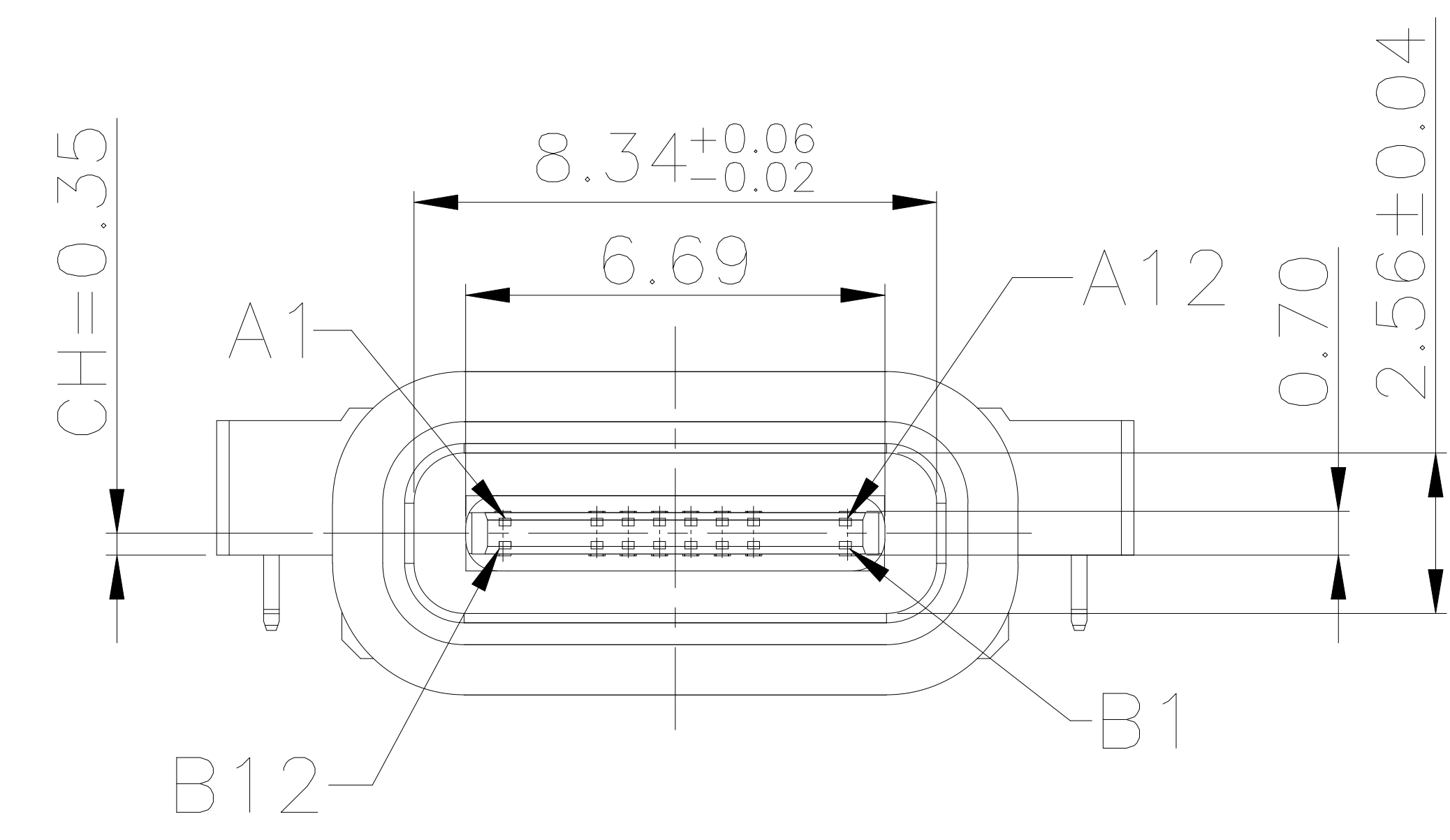
Approved by: _____ Date: _____

APPROVE	REVIEW	POLT
王凯	林永坚	陈旺

XUNPU ELECTRONICS CO.,LTD



- NOTES:
SPECIFICATION:
1. CURRENT RATING: 3.0A MAX
 2. DIELECTRIC WITHSTAND VOLTAGE: 100VAC
 3. TEMPERATURE RANGE: -30 °C ~ 85 °C
 4. CONTACT RESISTANCE: 40 MILLIONHM MAX
 5. INSULATION RESISTANCE: 100 MEGOHMS MIN.
 6. INSERTION FORCE : 5N~20N
 7. UNMATING FORCE: 8N~20N
 8. DURABILITY:10,000 CYCLES

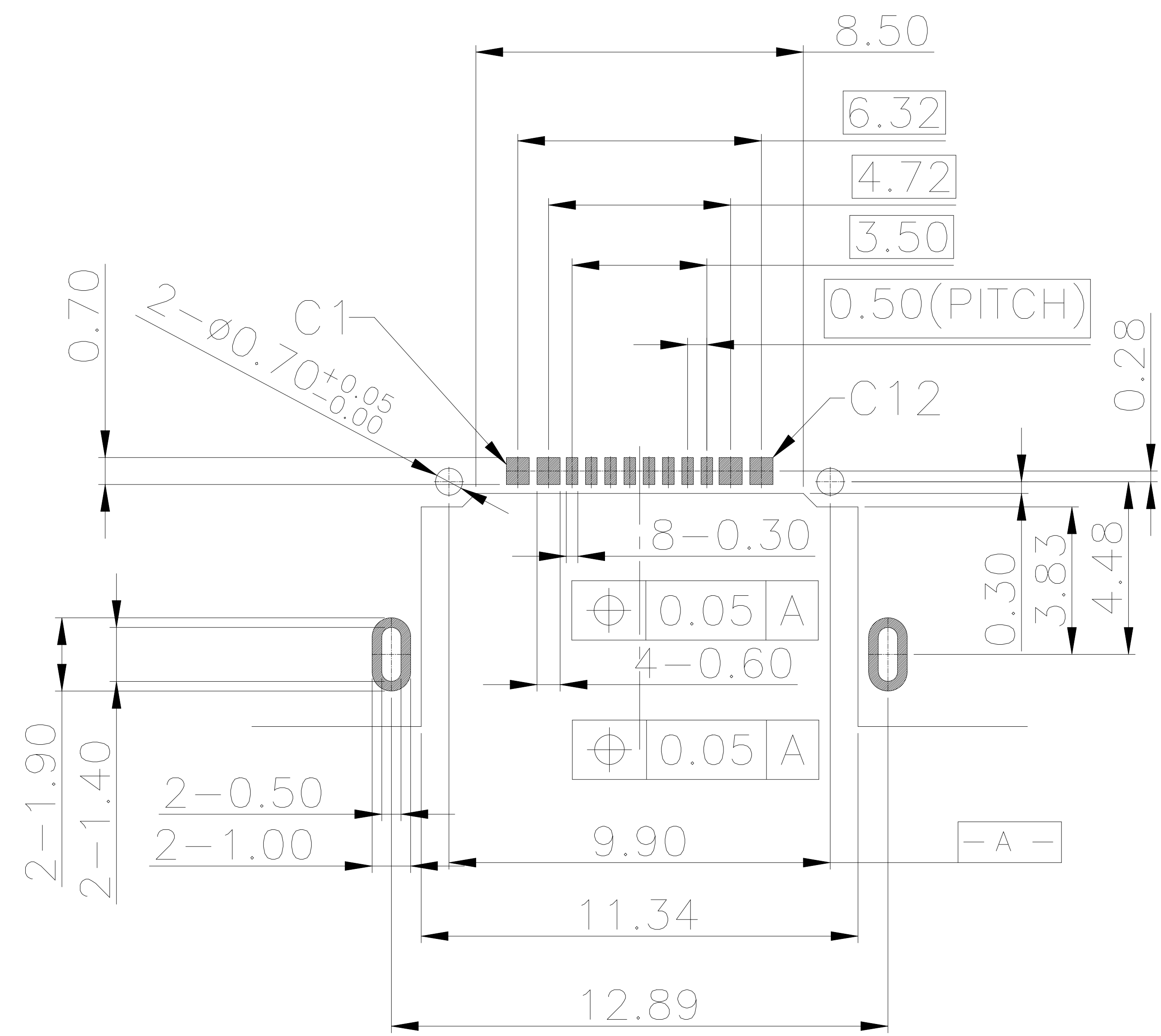


3	Shell	1	PA9T (G.F30%)	
2	Contact	5	Phosphor bronze_C5191R-EH Au/Ni Plating T=0.12mm	
1	Housing	1	LCP (G.F30%)	
ITEM	PART NAME	Q' TY	FINISH	NOTE

TOLERANCE:		UNIT	东莞市讯普电子科技有限公司 DONGGUAN XUNPU ELECTRONICS CO.,LTD				
X. ±0.50	X. ° ±1°	MM					
.X ±0.38	.X ° ±1°	SHEET					
.XX ±0.25	.XX ° ±1.0°	1/1					
.XXX ±0.13		SCALE	DRAW:	Eva Chen	2018.9.26	P/N:	TYC-340-16CB16
		1:1	DESIGN:			ITEM:	TYPE C 16PIN沉板防水母座
		REV: A	CHECK:			DRW NO:	
			APPR:				

LTR	ECN NO	REVISION	RECORD	DRAW	DATE
-----	--------	----------	--------	------	------

A



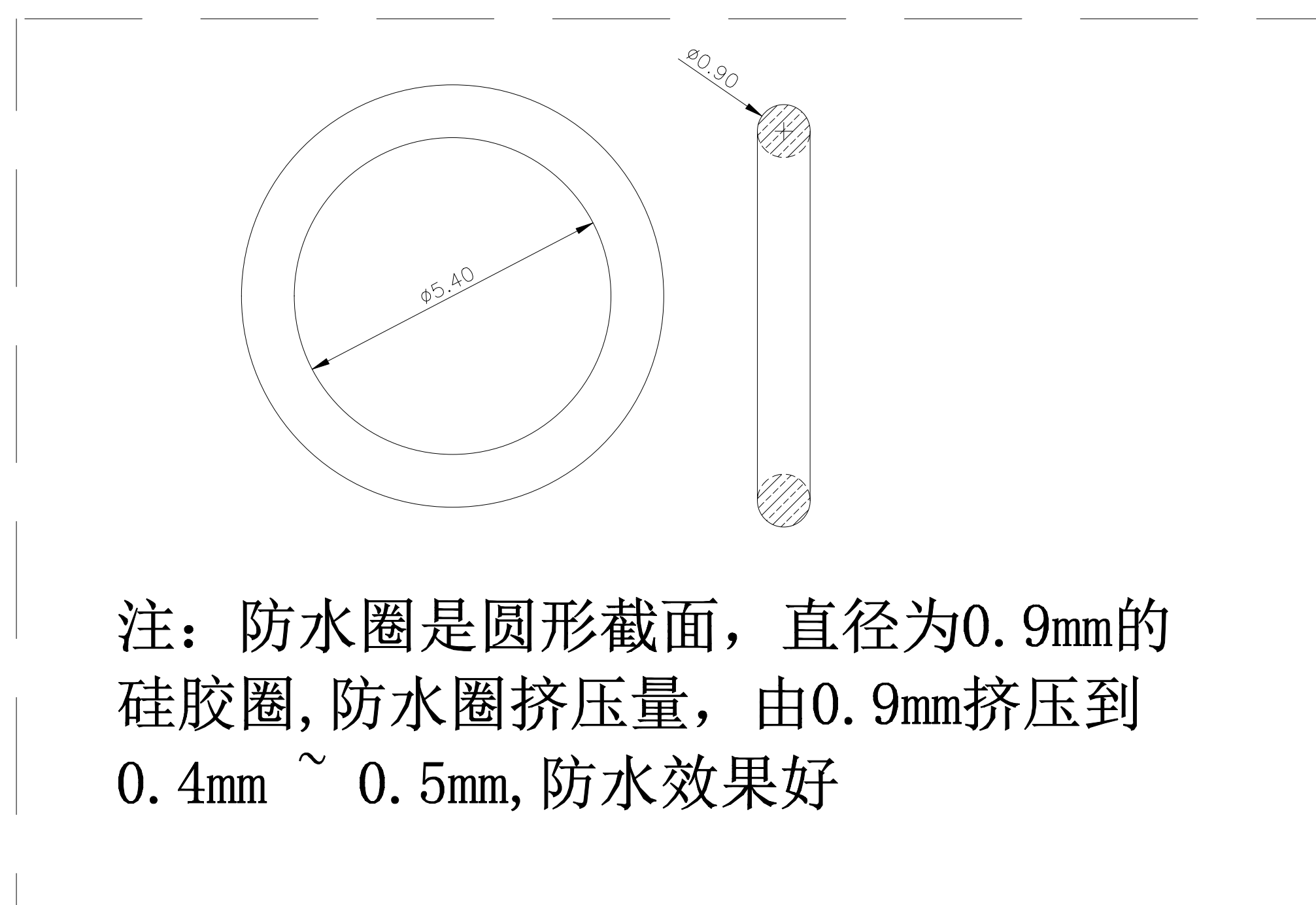
RECOMMENDED PCB LAYOUT(TOP VIEW)

THICKNESS T=1.0mm
DEFAULT TOLERANCE+/-0.05

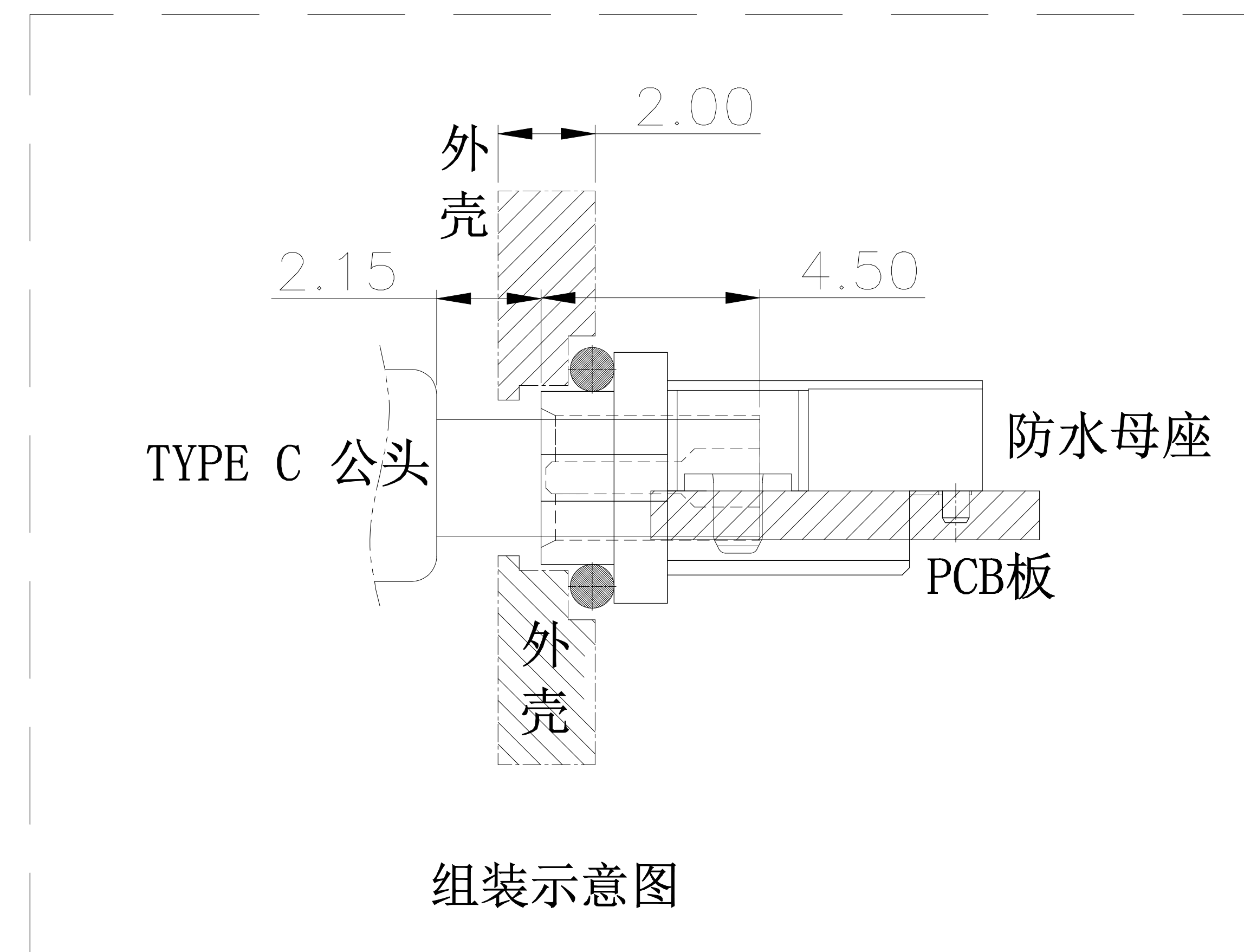
B

C

D



注：防水圈是圆形截面，直径为0.9mm的硅胶圈，防水圈挤压量，由0.9mm挤压到0.4mm ~ 0.5mm，防水效果好



INTERFACE (FRONT VIEW)

A1	A2	A3	A4	A5	A6	A7	A8	A9	A10	A11	A12
GND			VBUS	CC1	DP1	DN1	SBU1	VBUS			GND
GND			VBUS	SBU2	DN2	DP2	CC2	VBUS			GND
B12	B11	B10	B9	B8	B7	B6	B5	B4	B3	B2	B1

PIN ASSIGNMENT

PIN NO.	A1&B12	A4&B9	B8	A5	B7	A6	A7	B6	A8	B5	A9&B4	A12&B1
SINGAL NAME	GND	VBUS	SBU2	CC1	DN2	DP1	DN1	DP2	SBU1	CC2	VBUS	GND
PCB PAD NO.	C1	C2	C3	C4	C5	C6	C7	C8	C9	C10	C11	C12

TOLERANCE:		UNIT	东莞市讯普电子科技有限公司 DONGGUAN XUNPU ELECTRONICS CO.,LTD				
X. ±0.50	X. ° ±1°	MM					
.X ±0.38	.X ° ±1°	SHEET					
.XX ±0.25	.XX ° ±1.0°	1/1					
.XXX ±0.13		SCALE	DRAW:	Eva Chen	2018.9.26	P/N:	TYC-340-16CB16
		1:1	DESIGN:			ITEM:	TYPE C 16PIN沉板防水母座
		REV: A	CHECK:			DRW NO:	
			APPR:				

LTR	ECN NO	REVISION	RECORD	DRAW	DATE
-----	--------	----------	--------	------	------