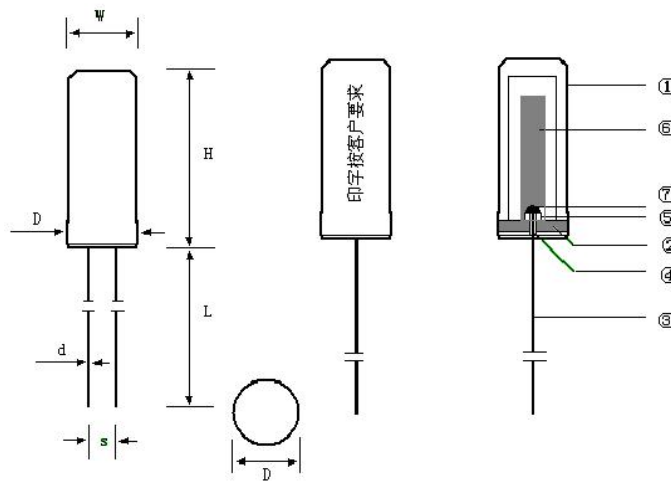


<p>深圳市新天源电子有限公司</p> <p>Shenzhen Xintianyuan Electronics Co., Ltd.</p>	<p>石英晶体谐振器规格书</p> <p>Specification of Quartz Crystal</p>	<p>NO: XTY0292-5004</p>
	<p>柱状 JU3×8</p>	<p>Date: 2019/06/12</p>
<p>一、石英晶体规格参数</p> <p>Quartz Crystal Specification Parameters</p>		
<p>1、产品型号</p> <p>Holder Type</p>	<p>JU3×8</p>	
<p>2、标称频率</p> <p>Nominal Frequency</p>	<p>8.000000MHz</p>	
<p>3、振动模式：</p> <p>Mode of Oscillation</p>	<p>Fundamental</p>	
<p>4、调整频差</p> <p>Frequency Tolerance at 25°C±2°C</p>	<p>±10ppm at 25°C±2°C</p>	
<p>5、等效电阻</p> <p>Equivalent Resistance(ESR)</p>	<p>≤60 Ω</p>	
<p>6、负载电容</p> <p>Load Capacitance(CL)</p>	<p>18pF</p>	
<p>7、温度频差</p> <p>Temperature Characteristics</p>	<p>±20ppm</p>	
<p>8、工作温度范围</p> <p>Operating Temperature range</p>	<p>-20~+70°C</p>	
<p>9、储存温度范围</p> <p>Storage Temperature range</p>	<p>-40~+85°C</p>	
<p>10、激励功率</p> <p>Drive Level</p>	<p>10uW</p>	
<p>11、静态电容</p> <p>Shunt Capacitance (C0)</p>	<p><4.0pF</p>	
<p>12、绝缘电阻</p> <p>Insulation Resistance</p>	<p>≥500MΩ (DC100V±15V)</p>	
<p>13、测试仪器</p> <p>Measure Instrument</p>	<p>KH1240</p>	
<p>14、年老化率</p> <p>Aging Rate a Year</p>	<p>≤±3ppm/年</p>	

深圳市新天源电子有限公司 Shenzhen Xintianyuan Electronics Co., Ltd.	石英晶体谐振器规格书 Specification of Quartz Crystal	NO: XTY0292-5004
	柱状 JU3×8	Date: 2019/06/12

二、石英晶体尺寸、结构

Quartz Crystal Dimensions And Structure



规格	JU-38
D	3.00max
H	8.10max
W	2.94±0.02
d	0.35±0.07
s	1.1±0.2
L	10.0±1.0

NO	NAME	名称
①	CAN	外壳
②	BASE	底座
③	LAND	引线
④	GLASS	绝缘子
⑤	SUPPORT	支架
⑥	BLANK	振子
⑦	RESIN	锡膏

三、石英晶体印字

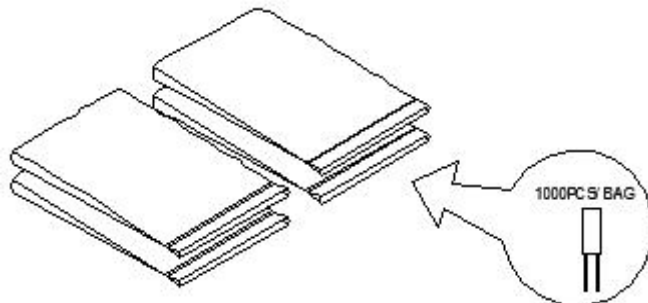
Quartz Crystal Marking

1. 外观：标识清晰，外表光洁无污点和损伤。
2. 印字：根据客户要求或标准印字。

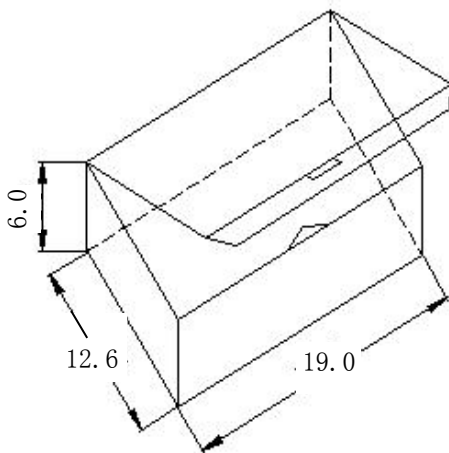
深圳市新天源电子有限公司 Shenzhen Xintianyuan Electronics Co.,Ltd.	石英晶体谐振器规格书 Specification of Quartz Crystal	NO: XTY0292-5004
	柱状 JU3×8	Date: 2019/06/12

3. 包装
Package

1000只/1包
1000pcs/Bag



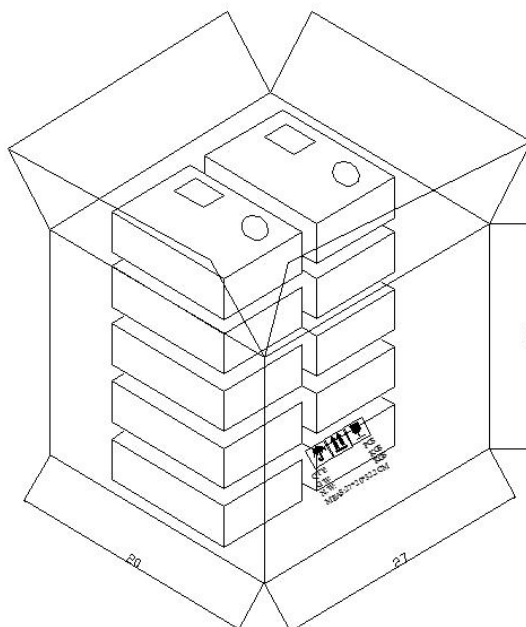
6包=1盒
6Bag=1Box
Units: cm



合格证	
频率:	型号:
负载:	电阻:
频差:	数量:
日期:	供应商:
批号:	编号:
订单号:	料号:

包装箱
Shipping Carton

27*20*32.2 (10 Box)
27*20*20 (6 Box)
Units: cm



深圳市新天源电子有限公司 Shenzhen Xintianyuan Electronics Co., Ltd.	石英晶体谐振器规格书 Specification of Quartz Crystal	NO: XTY0292-5004
	柱状 JU3×8	Date: 2019/06/12

五、石英晶体可靠性
Reliability Test

NO.	测试项目 Test Item	可靠性条件 Testing Condition	判定标准 Determinant Criteria
1.	跌落 Dropping Test	从75cm高度跌落到30mm厚硬木板上, 跌落三次 Drop the resonators from 75cm height to 30mm thick hardwood board, 3times.	$\Delta FL \leq \pm 5\text{ppm}$ $\Delta RS \leq \pm 10\% \text{ or } 5\Omega$ (whichever is larger)
2.	振动 Vibration	频率 Frequency:10~60Hz; 幅度 Amplitude:0.75mm; 周期 Cycle time:10-55-10Hz: 1min; 振动方向 Direction:X,Y,Z; 振动时间 Duration: 每个方向2小时 2 h/direction.	$\Delta FL \leq \pm 5\text{ppm}$ $\Delta RS \leq \pm 10\% \text{ or } 5\Omega$ (whichever is larger)
3.	高温 Heat Resistance	温度Temperature: 85°C ±10°C 时间Time: 720 ±24 Hours	$\Delta FL \leq \pm 5\text{ppm}$ $\Delta RS \leq \pm 10\% \text{ or } 5\Omega$ (whichever is larger)
4.	低温 Cold Resistance	温度Temperature: -20°C ±10°C 时间Time: 720 ±24 Hours	$\Delta FL \leq \pm 5\text{ppm}$ $\Delta RS \leq \pm 10\% \text{ or } 5\Omega$ (whichever is larger)
5.	引线拉力强度 Tensile strength of terminal	在每个端子, 沿端子轴方向施力500g的拉力30±5秒。 Apply a 500g tensile load to each terminal and sustain it for 30±5 seconds.	$\Delta FL \leq \pm 5\text{ppm}$ $\Delta RS \leq \pm 10\% \text{ or } 5k\Omega$ (whichever is larger) 无损伤 No visible damage
6.	耐焊接热 Resistance To Soldering Heat	焊接温度Soldering Heat: 260°C ±10°C 测试时间Test Time: 3.5s±0.5s;	$\Delta FL \leq \pm 5\text{ppm}$ $\Delta RS \leq \pm 10\% \text{ or } 5\Omega$ (whichever is larger)
7.	气密性 Leakage	检漏实验能简化为频率和电阻的测量 The leakage test can be reduced to a measurement of frequency and resistance	$\Delta FL \leq \pm 5\text{ppm}$ $\Delta RS \leq \pm 10\% \text{ or } 5\Omega$ (whichever is larger)
8.	高温高湿 Constant Temperature and Humidity	在温度40°C ±5°C, 湿度90%~99%, 储存720小时, 取出2小时后测试; Stored at 40°C ±5°C, Humidity 90%~99% For a period of minimum 720hours. Then 25°C ±3°C and 2 hours before testing	$\Delta FL \leq \pm 5\text{ppm}$ $\Delta RS \leq \pm 10\% \text{ or } 5\Omega$ (whichever is larger)
9.	温度冲击 Temperature Shock	低温Low-20°C ±2°C (120min) ↔ 高温High85°C ±2°C (120min); 循环10次; For 10 cycles	$\Delta FL \leq \pm 5\text{ppm}$ $\Delta RS \leq \pm 10\% \text{ or } 5\Omega$ (whichever is larger)