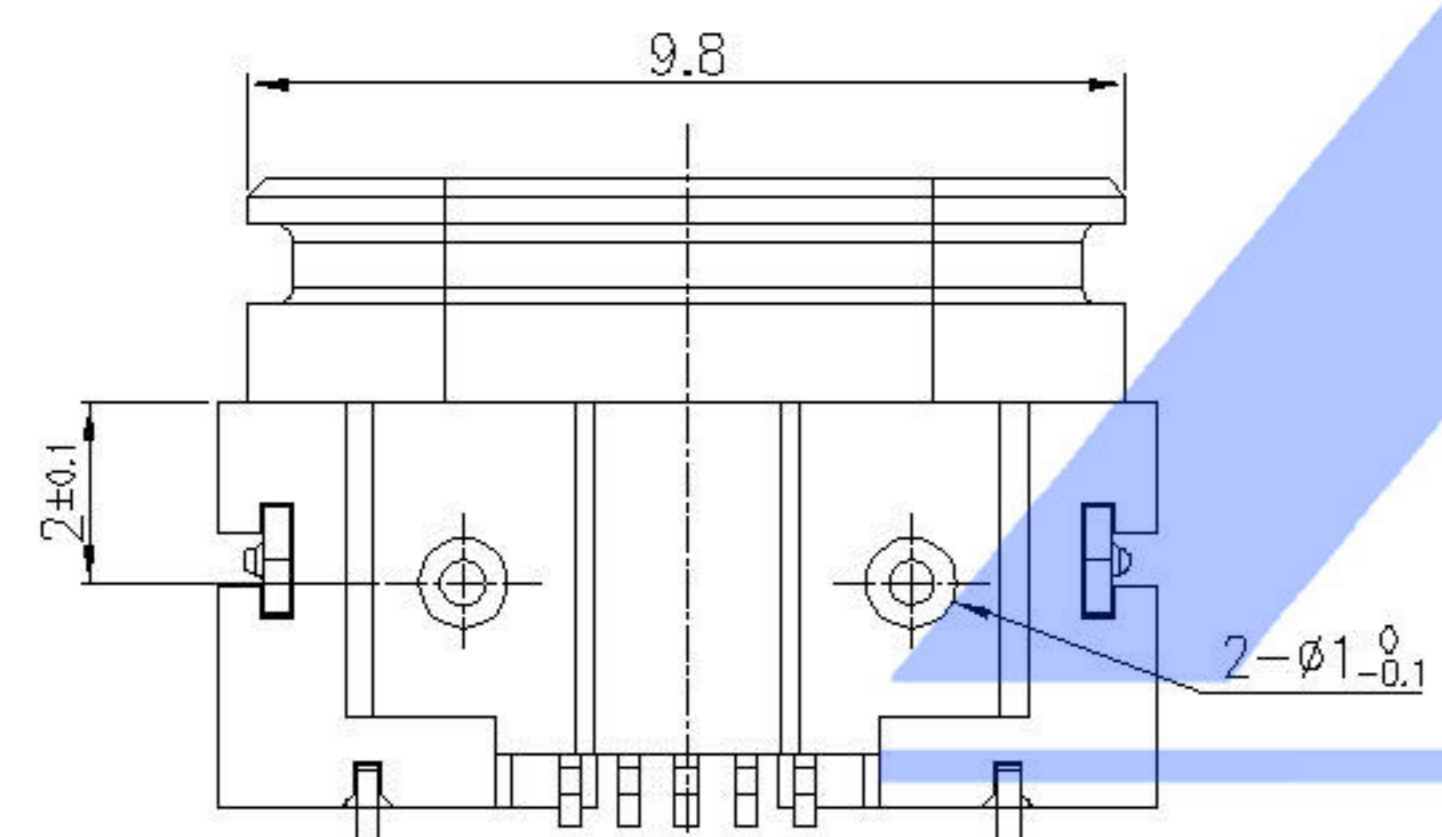
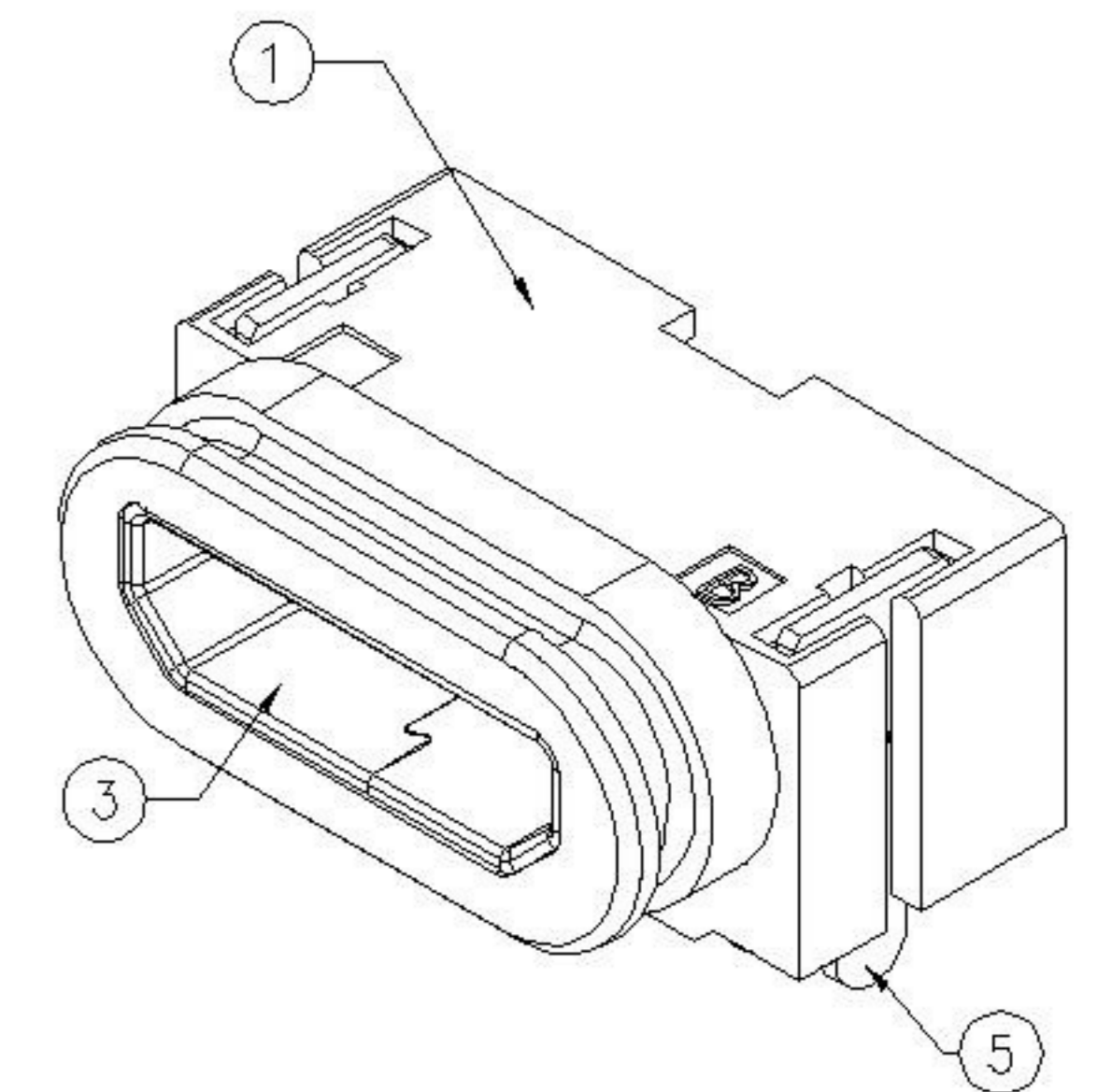
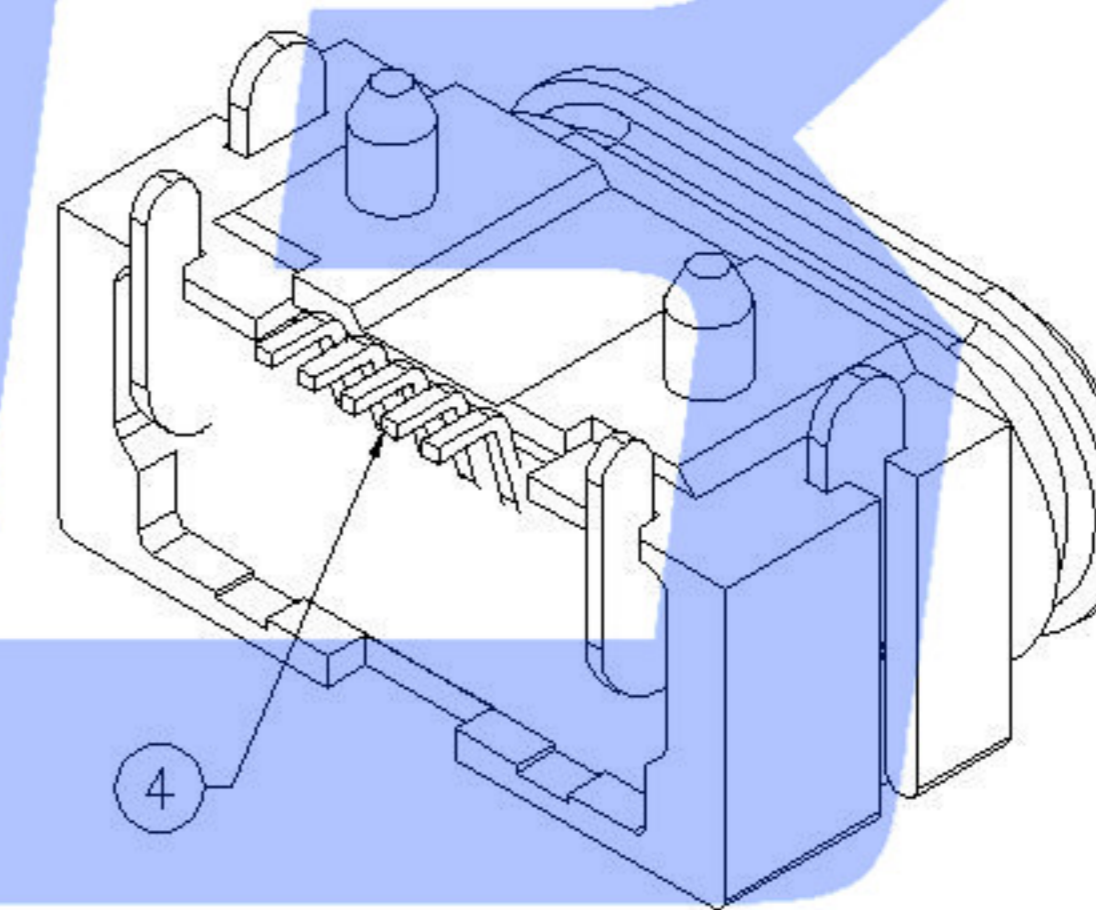
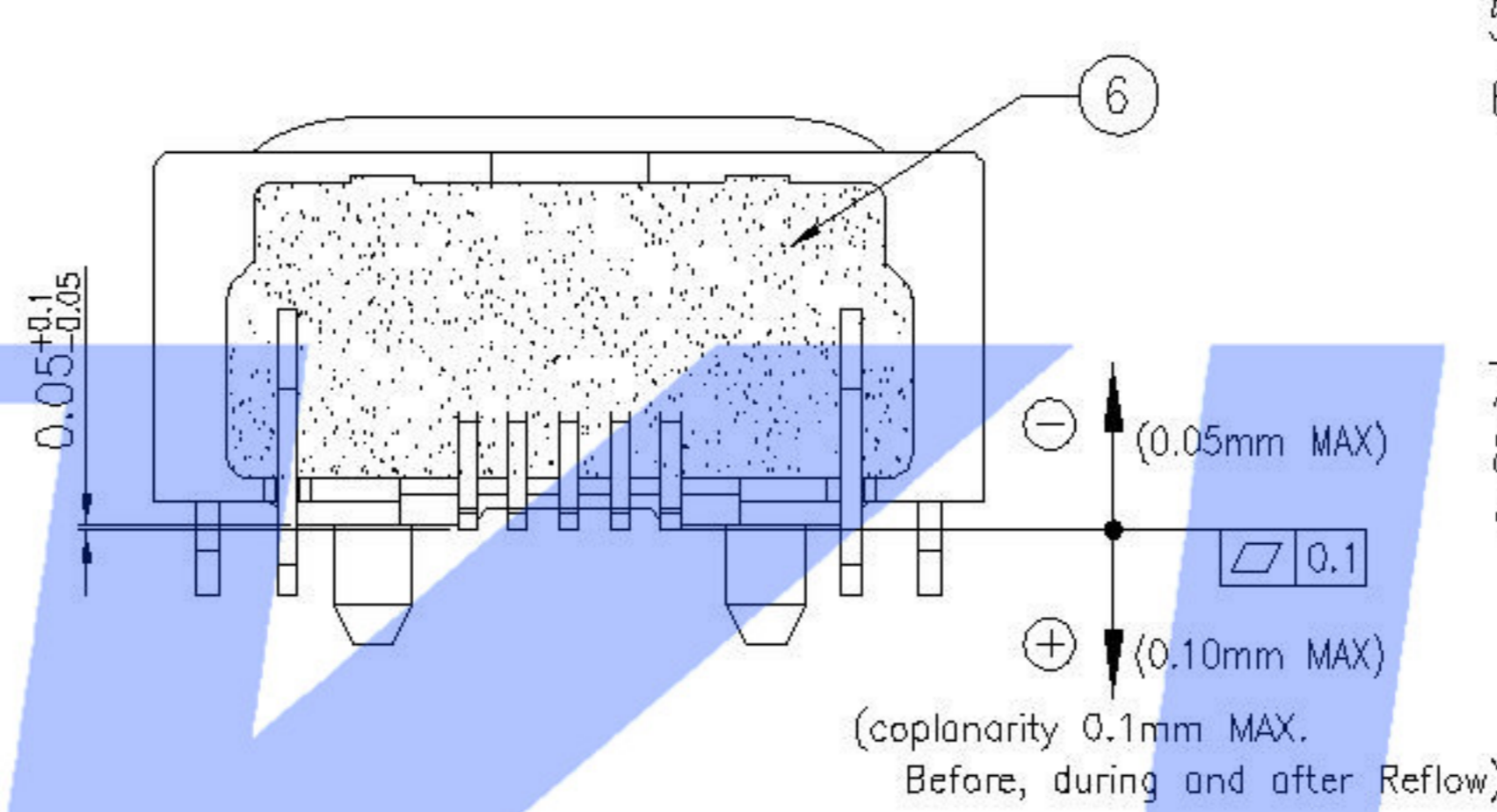
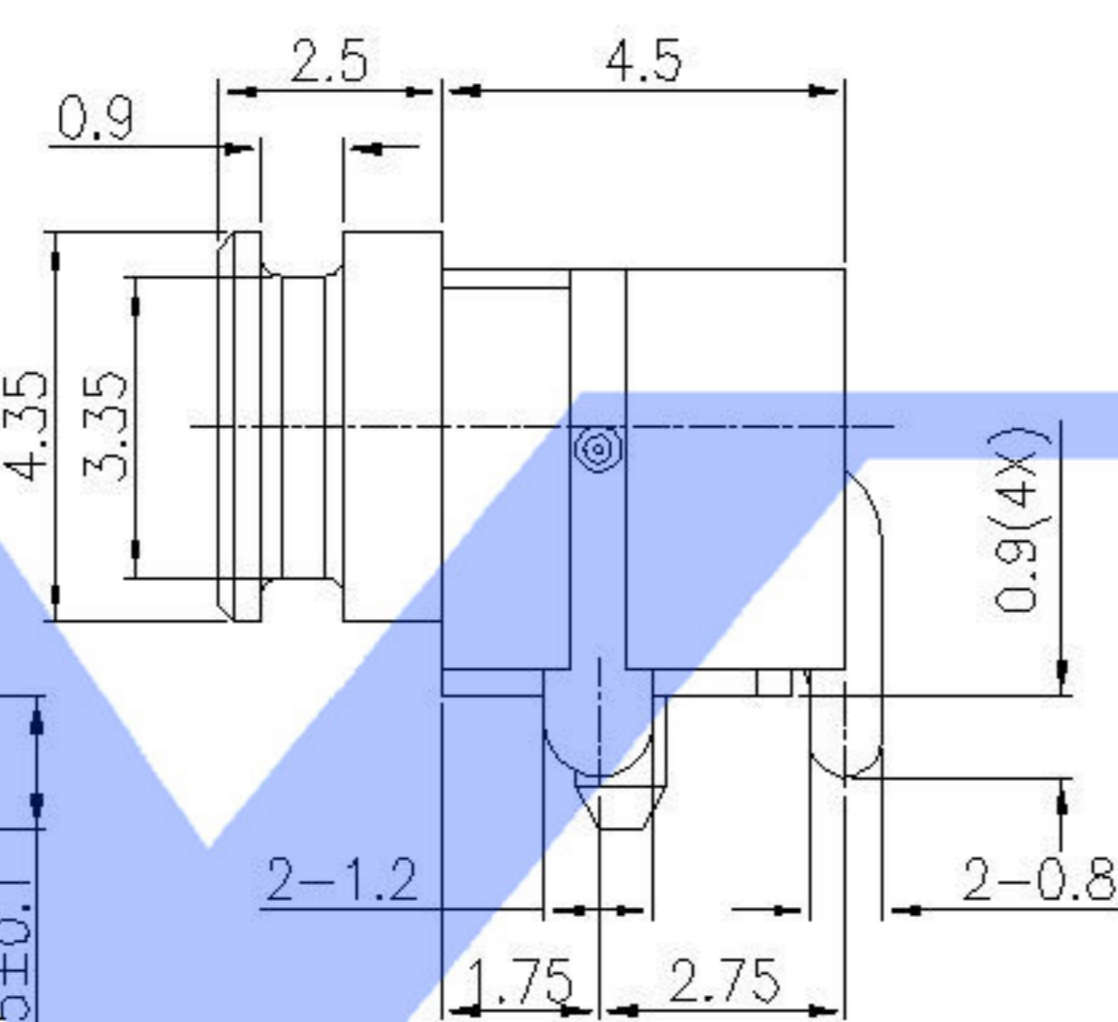
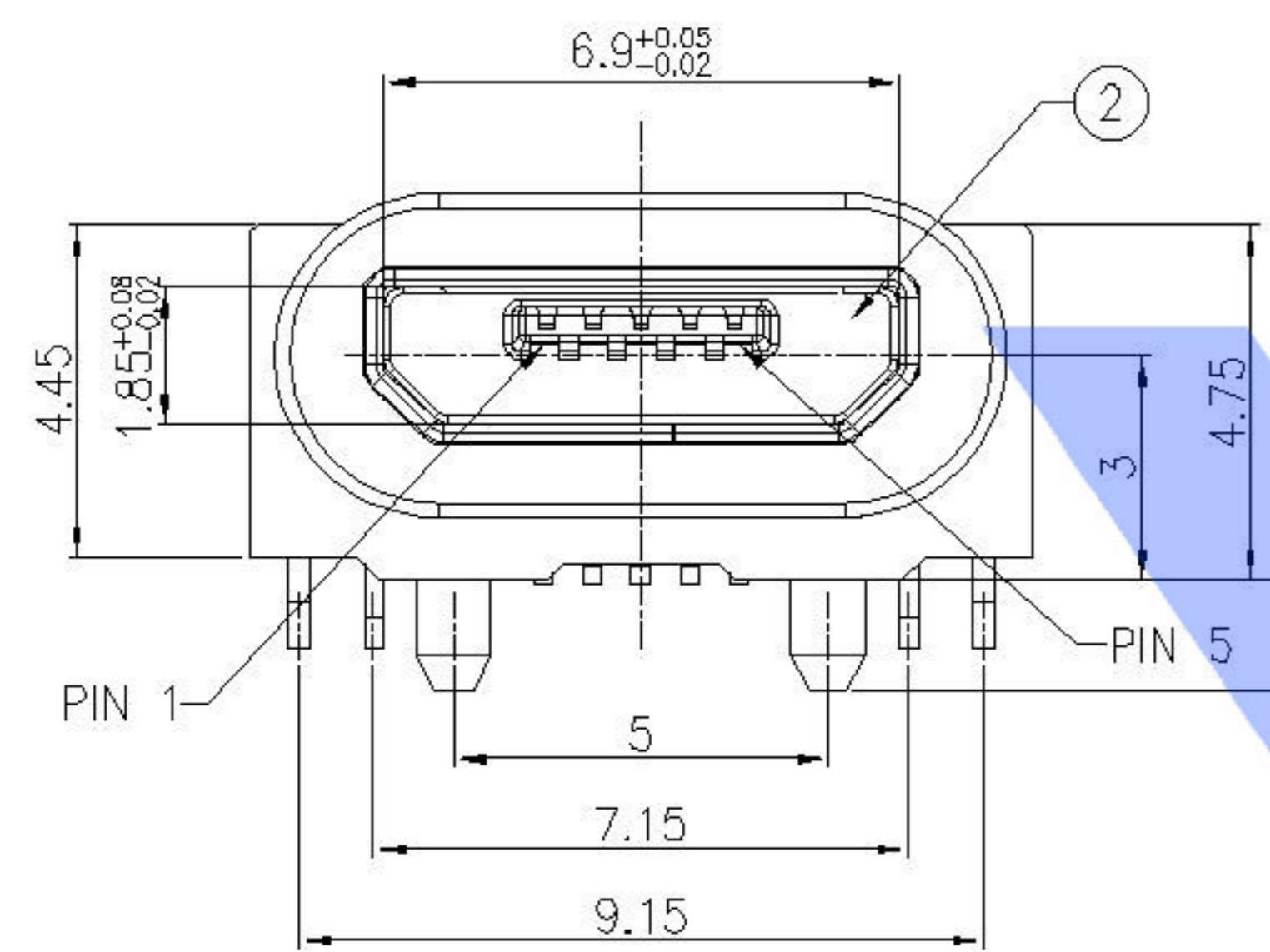
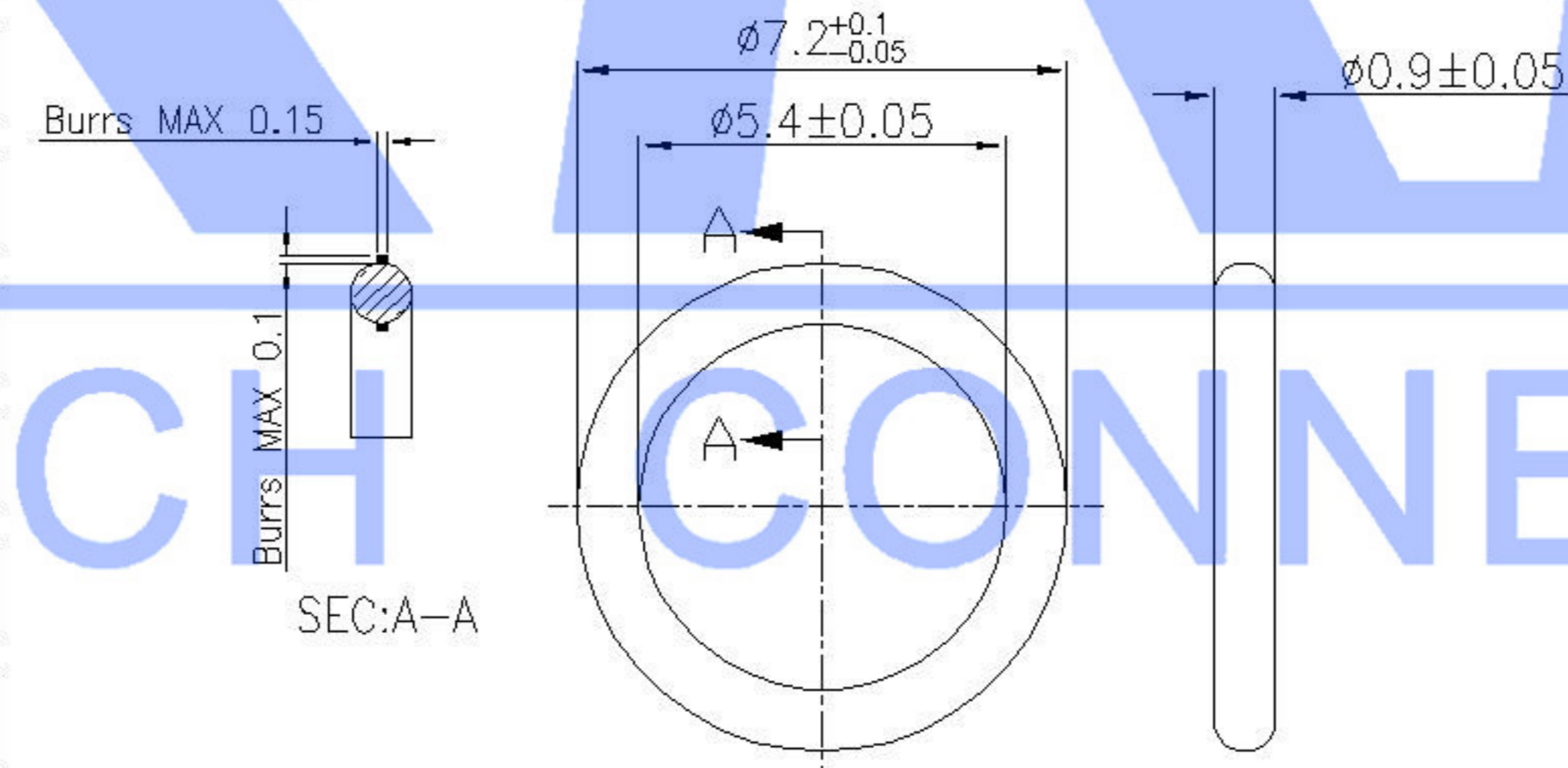


SPECIFICATIONS:

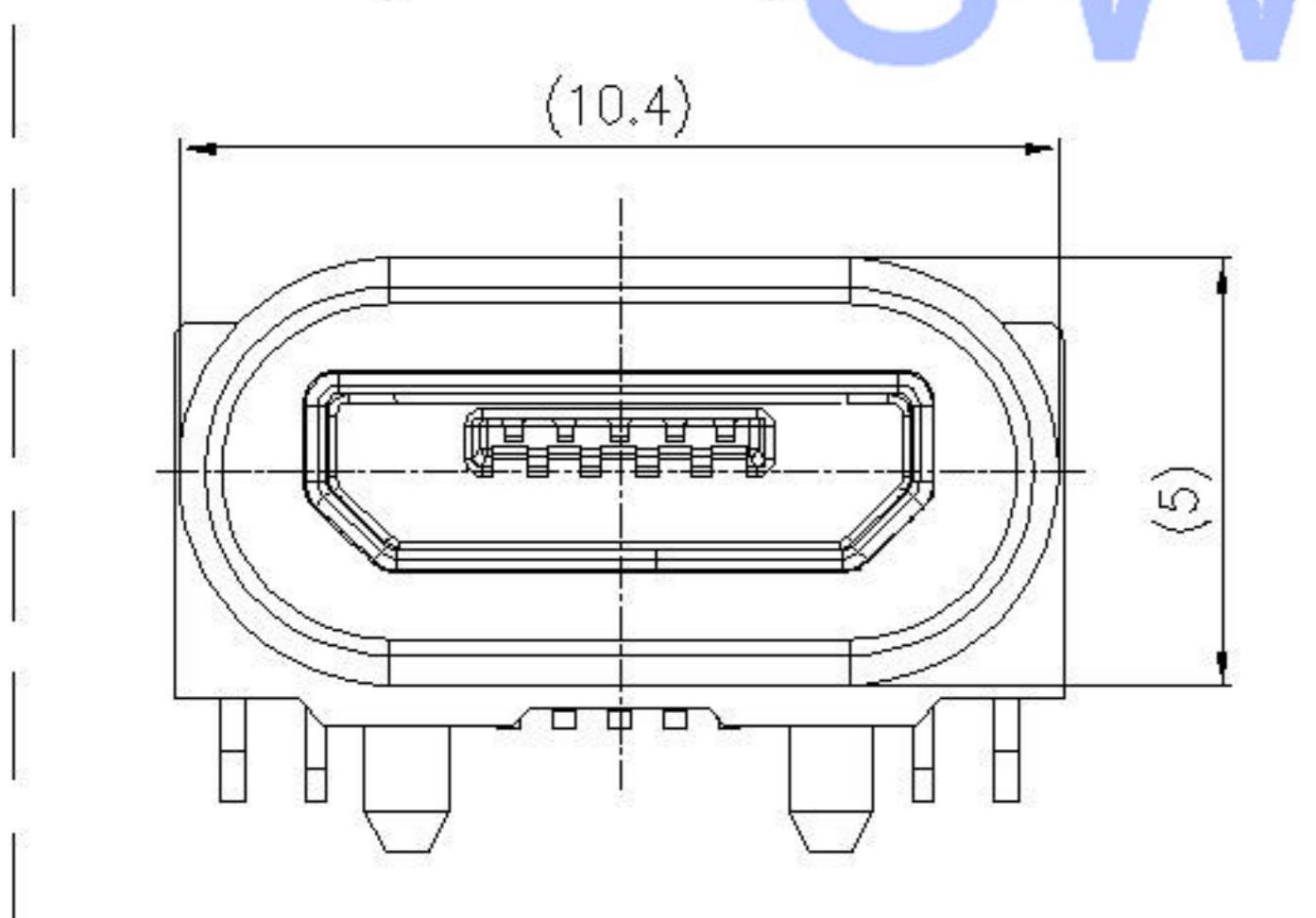
- ELECTRICAL CHARACTERISTICS:
 - RATING: 1.8A (PIN1/5), 0.5A (PIN2/3/4)
 - CONTACT RESISTANCE: 30mΩ MAX.(INITIAL)
 - DIELECTRIC WITHSTANDING VOLTAGE: 300V AC FOR ONE MINUTE.
 - INSULATION RESISTANCE: 100MΩ MIN. MEASURED BY 500 VDC
- MECHANICAL CHARACTERISTICS:
 - INSERTION FORCE : 3.6 KGF (MAX)
 - WITHDRAWAL FORCE : 0.8 KGF(Reference)
- DURABILITY: 10,000 CYCLES .
- WATER PROOFNESS:THIS PRODUCT IS BASED ON IPX7(1m,30min)
- PLUG INTERFACE DIMENSIONS COMFORM TO USB2.0 SPEC.
- OVAL RING
 - The amount of low molecular siloxanes(D3~D10)is less than 200ppm
 - Hardness of silicone rubber:70°
 - Horizontal flash 0.1max;Longitudinal flash 0.10max
- BODY WITH O-RING'S SEAL AREA BURRS IS 0.05mm Max.
- FOR REFLOW SOLDERING LEAD-FREE PROCESS.
- PACKAGING: TAPE & REEL.



Oval ring drawing:



Oval Ring assembly state:



注:防水圈不用组装在产品上,要与产品配套单独出货。
Note:Waterproof ring need not assembled on the product, to form a complete set of product shipped separately.

UNLESS OTHERWISE SPECIFIED, TOLERANCE ON DECIMAL:±0.3

ΔX					ANGULAR	±5°
ΔX					L ≤ 4	±0.2
ΔX					4 < L ≤ 16	±0.3
MARK	DESCRIPTION	DATE	REVISED	APPROVED	16 < L ≤ 63	±0.4
					L > 63	±0.5
	REVISIONS				UNSPECIFIED TOLERANCES	
	www.xk-dg.cn www.1k0k.com www.1k0k.cn				XKB INDUSTRIAL PRECISION CO.,LIMITED	

DSND		DATE	SCALE: N/A	MODEL TYPE:
DWN		DATE	VIEW:	PART NO.:
CHKD		DATE	UNIT: mm	DWG NO.: U-E-M7SS-Y-0
APPD		DATE	SIZE: A4	
			WEIGHT	SHEET
			1.0g	1/1
				REVISION
				A0