

				TOLERANCE		<b>UMax conn</b> 东莞市友贸实业有限公司 DONGGUAN UMAXCONN ENTERPRISE LIMITED		TITLE: MINI PCI EXPRESS 4.0MM HEIGHT			
				LINEAR	ANGLES			PART NO. 91304-40-052RXXX			
				X.±0.40	X'±	APPD: Jason	MAT'L:	DWG NO. C-91304-40			
				.X±0.30	.X'±	CHKD: Schumi	FINISH:	UNITS	SCALE	SHEET	REV
0	----	Lei Songping	Jun,06,2019	.XX±0.20	.XX'±	DRWN: Lei Songping	Q'TY:	MM	1 : 1	1 OF 5	0
REV	ECN NO.	NAME	DATE	.XXX±0.15	.XXX'±						

NOTES:

1. MATERIAL:  
 HOUSING: THERMOPLASTIC, HIGH TEMP, UL94V-0, BLACK COLOR,  
 CONTACTS: COPPER ALLOY.  
 PEGS: COPPER ALLOY.

2. FINISH:  
 CONTACTS: SELECTED GOLD PLATING ON THE CONTACT AREA,  
 1u" MIN. GOLD PLATING ON THE SOLDER TAILS,  
 50 u" MIN. NICKEL UNDERPLATING OVER ALL.  
 PEGS: 120u" MIN. MATTE-TIN OVER 50u" MIN. NICKEL.

3. PACKAGING SPECIFICATION: 9130404001

4. PRODUCT SPECIFICATION: PS-MINI PCI-E-01

5. DATE CODE.

YYWWDD

YY: YEAR (19: 2019)

WW: WEEK (25: THE 25TH WEEK)

DD: (D1~D7: SUNDAY~SATURDAY)

PRODUCT NUMBER CODE

91304 - 40 - 052 R X XX

40: 4.0H HEIGHT

52 CONTACTS

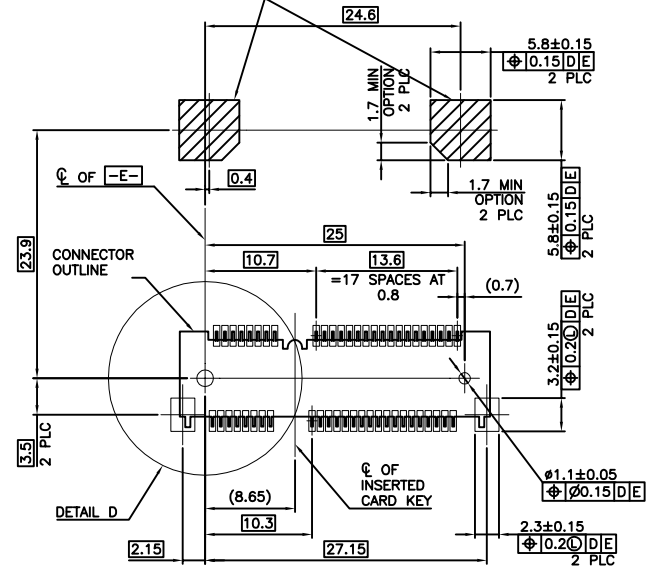
PACKING OPTIONS  
 R: TAPE & REEL

HALOGEN OPTIONS  
 BLANK: HALOGEN  
 HF: HALOGEN FREE

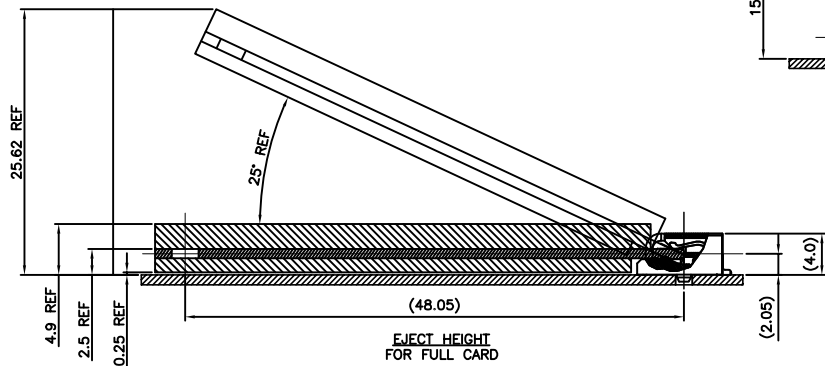
CONTACT AREA PLATING  
 0: 30u" GOLD  
 1: 10u" GOLD  
 2: GOLD FLASH

				TOLERANCE		<b>UMax</b> 东莞市友贸实业有限公司 <b>conn</b> DONGGUAN UMAXCONN ENTERPRISE LIMITED		TITLE: MINI PCI EXPRESS 4.0MM HEIGHT				
				LINEAR	ANGLES			PART NO. 91304-40-052RXXX				
				X.±0.40	X'±	APPD: Jason	MAT'L:	DWG NO. C-91304-40				
				.X±0.30	.X'±	CHKD: Schumi	FINISH:		UNITS	SCALE	SHEET	REV
0	-----	Lei Songping	Jun,06,2019	.XX±0.20	.XX'±	DRWN: Lei Songping	Q'TY:		MM	1 : 1	2 OF 5	0
REV	ECN NO.	NAME	DATE	.XXX±0.15	.XXX'±							

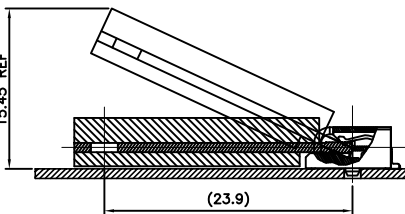
COMPONENT KEEP OUT AREA FOR CARD HOLD DOWN SOLUTION



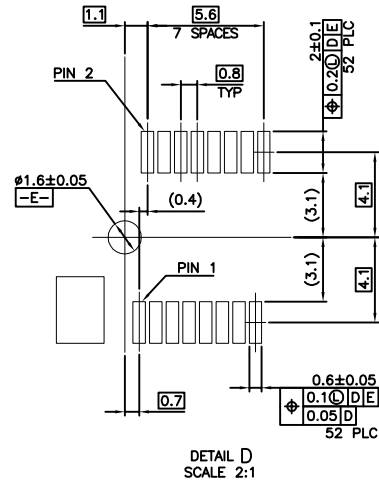
-D- IS THE TOP SURFACE OF PCB.  
RECOMMENDED P.C. BOARD PATTERN LAYOUT  
FOR HALF CARD CONNECTOR  
(TOP VIEW)



EJECT HEIGHT  
FOR FULL CARD

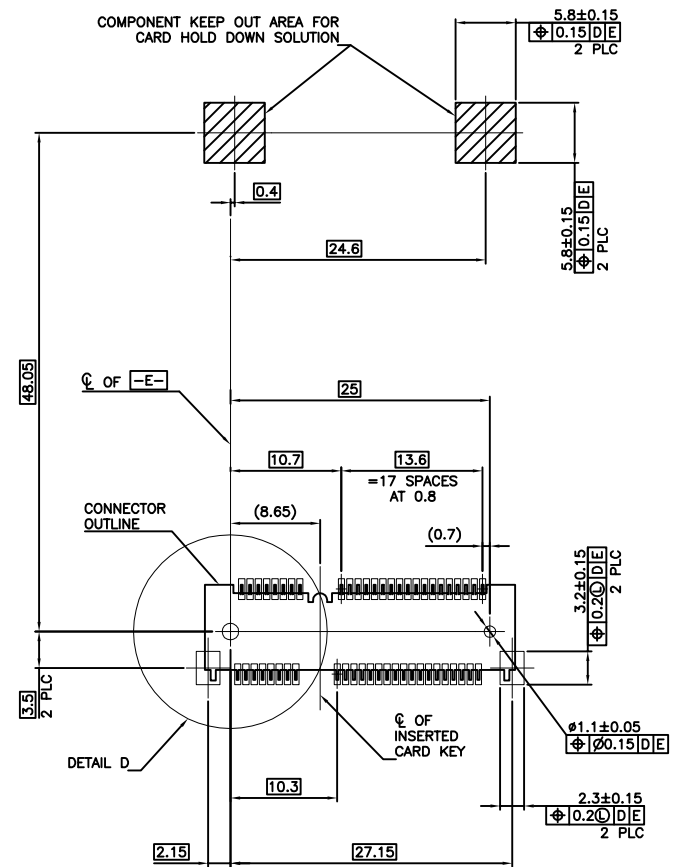


EJECT HEIGHT  
FOR HALF CARD



DETAIL D  
SCALE 2:1

COMPONENT KEEP OUT AREA FOR  
CARD HOLD DOWN SOLUTION



-D- IS THE TOP SURFACE OF PCB.  
RECOMMENDED P.C. BOARD PATTERN LAYOUT  
FOR FULL CARD CONNECTOR  
(TOP VIEW)

TOLERANCE	
LINEAR	ANGLES
X.±	X'±
.X±	.X'±
0	----
REV	ECN NO.

**UMax** 东莞市友贸实业有限公司  
**conn** DONGGUAN UMAXCONN ENTERPRISE LIMITED

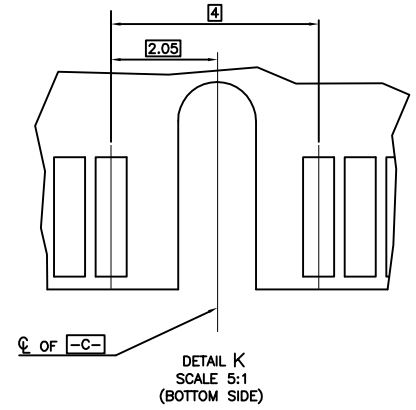
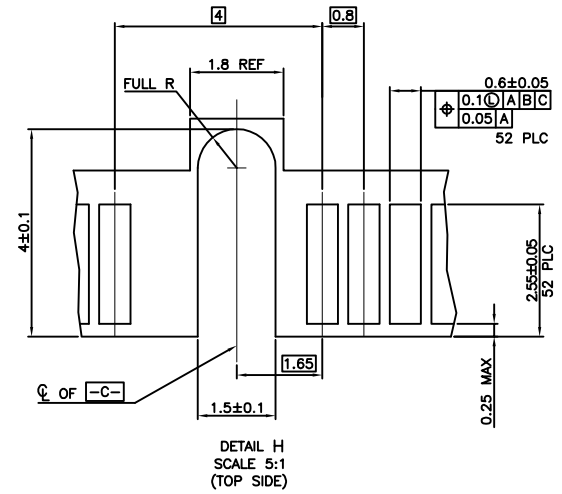
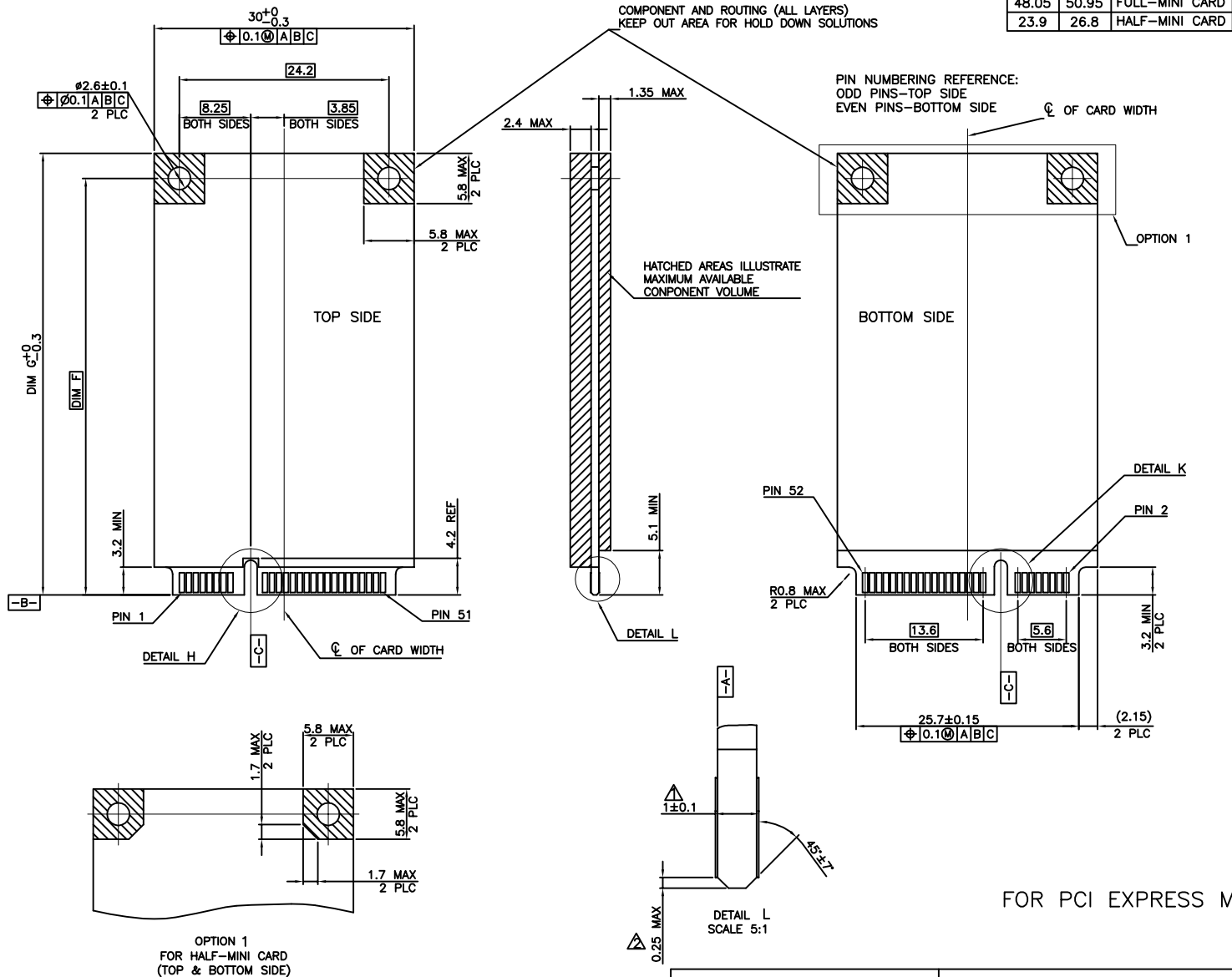
APPD: Jason MAT'L:  
CHKD: Schumi FINISH:  
DRWN: Lei Songping Q'TY:

TITLE: MINI PCI EXPRESS 4.0MM HEIGHT

PART NO. 91304-40-052RXXX

DWG NO. C-91304-40

UNITS	SCALE	SHEET	REV
MM	1 : 1	3 OF 5	0



- NOTES:
- ▲ CARD THICKNESS APPLIES ACROSS TABS AND INCLUDES PLATING AND/OR METALLIZATION.
  - ▲ EDGE BEVEL MUST BE PRESENT AND FREE OF CUTTING BURRS FROM PCB AND CONTACT MATERIALS.

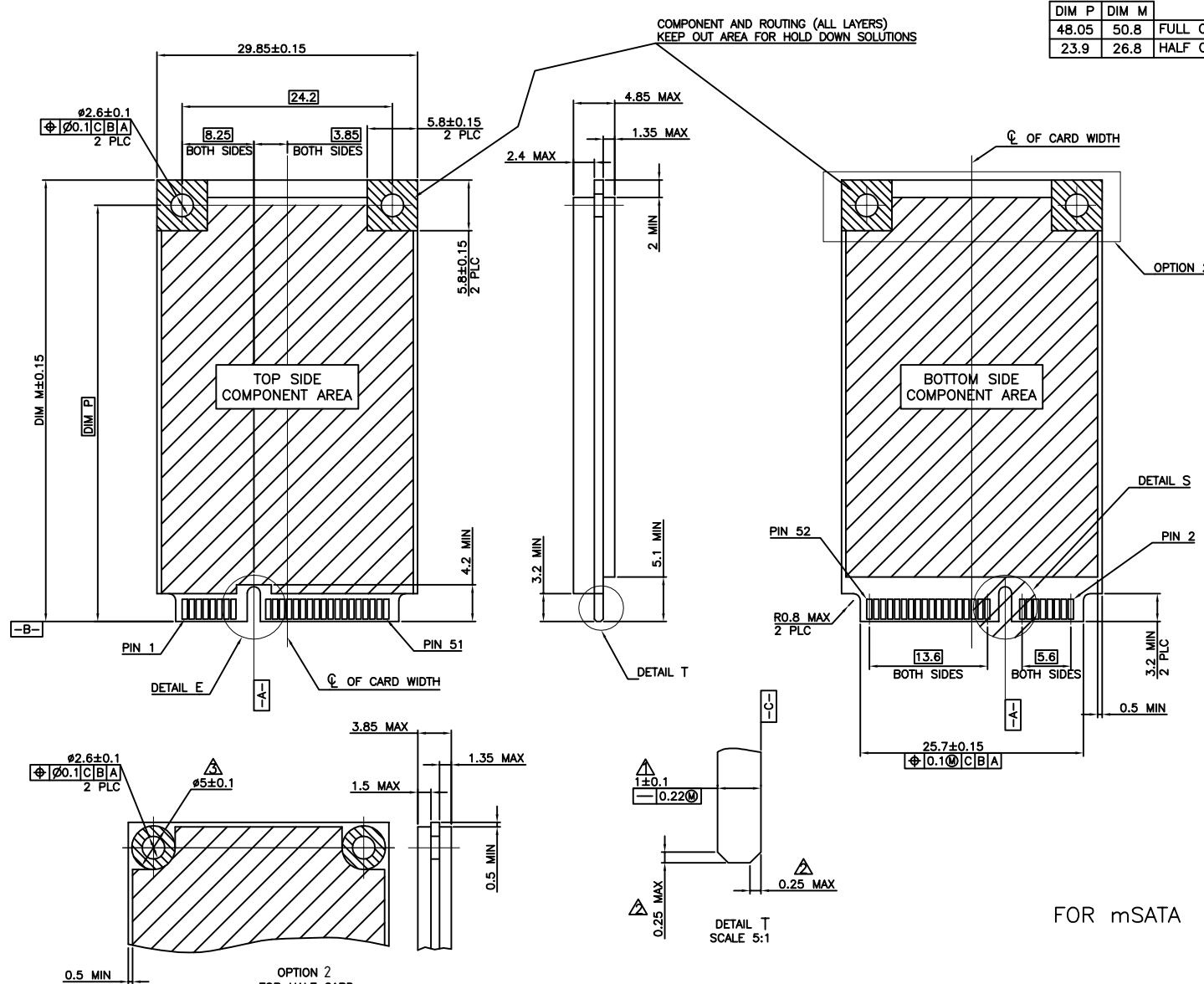
FOR PCI EXPRESS MINI CARD

REV	ECN NO.	NAME	DATE	TOLERANCE	
				LINEAR	ANGLES
0	----	Lei Songping	Jun,06,2019	.XX±	.XX°±
REV	ECN NO.	NAME	DATE	.XXX±	.XXX°±

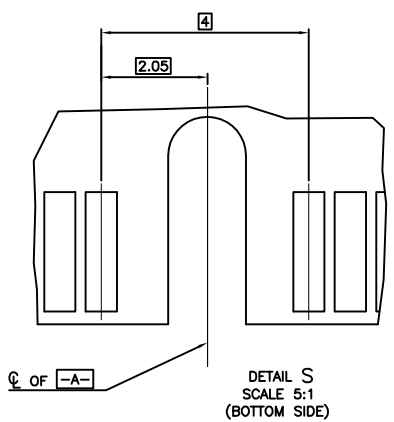
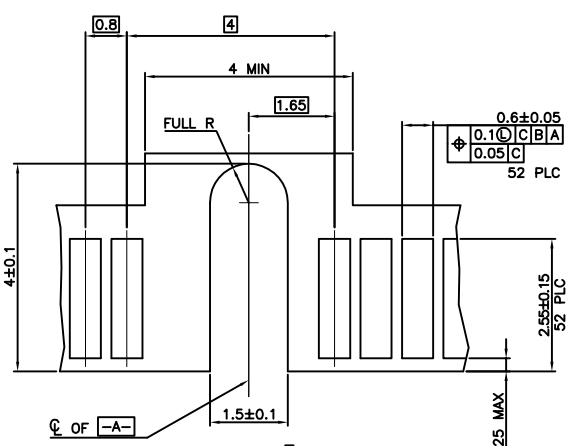
**UMax conn** 东莞市友贸实业有限公司  
DONGGUAN UMAXCONN ENTERPRISE LIMITED

APPD: Jason MAT'L:  
CHKD: Schumi FINISH:  
DRWN: Lei Songping Q'TY:

TITLE: MINI PCI EXPRESS 4.0MM HEIGHT			
PART NO. 91304-40-052RXXX			
DWG NO. C-91304-40			
UNITS	SCALE	SHEET	REV
MM	1 : 1	4 OF 5	0



DIM P	DIM M	
48.05	50.8	FULL CARD
23.9	26.8	HALF CARD



- NOTES:
- ▲ CARD THICKNESS APPLIES ACROSS TABS AND INCLUDES PLATING AND/OR METALLIZATION.
  - ▲ EDGE BEVEL MUST BE PRESENT AND FREE OF CUTTING BURRS FROM PCB AND CONTACT MATERIALS.
  - ▲ COMPONENT AND ROUTING (TOP/BOTTOM LAYER) KEEP OUT AREA FOR HOLD DOWN SOLUTIONS.

REV	ECN NO.	NAME	DATE	TOLERANCE	
				LINEAR	ANGLES
0	----	Lei Songping	Jun,06,2019	.XX±	.XX°±
REV	ECN NO.	NAME	DATE	.XXX±	.XXX°±

**UMax conn** 东莞市友贸实业有限公司  
DONGGUAN UMAXCONN ENTERPRISE LIMITED

APPD: Jason    MAT'L:

CHKD: Schumi    FINISH:

DRWN: Lei Songping    Q'TY:

TITLE: MINI PCI EXPRESS 4.0MM HEIGHT

PART NO. 91304-40-052RXXX

DWG NO. C-91304-40

UNITS	SCALE	SHEET	REV
MM	1 : 1	5 OF 5	0