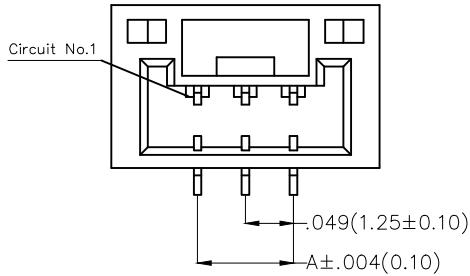


REV	LOCATIONS	DESCRIPTION	DATE	REVISER	APPD

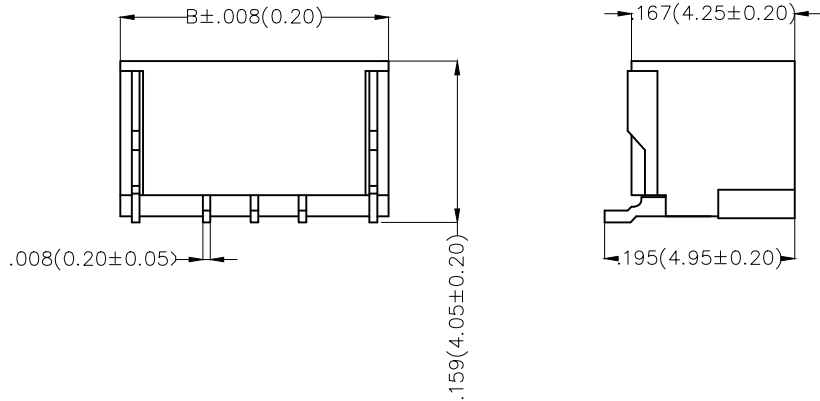


Electrical

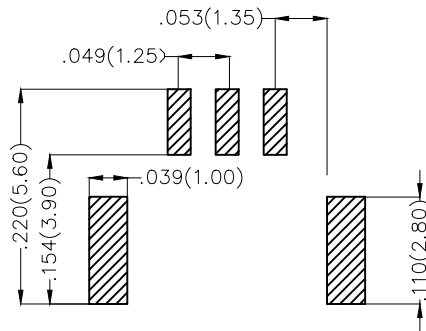
Current Rating: 1.0A AC(rms)/DC
Voltage Rating: 125V AC(rms)/DC
Contact Resistance: 20 mΩ Max
Insulation Resistance: 100 MΩ MIN
Withstanding Voltage: 250V AC r.m.s
Temperature Range—Operating: -25°C~+85°C

Material and Plating

Housing: PA9T(UL 94V-0)
Contact Pin: Brass/ Tin plated
Solder Tab: Copper alloy/ Tin plated



Circuits (n)	Part No.	Dimensions(in/mm)	
		A	B
2	FWF12513-S02S24W5M	.049(1.25)	.219(5.57)
3	FWF12513-S03S24W5M	.098(2.50)	.276(7.00)
4	FWF12513-S04S24W5M	.147(3.75)	.325(8.25)
5	FWF12513-S05S24W5M	.197(5.00)	.374(9.50)
6	FWF12513-S06S24W5M	.246(6.25)	.423(10.75)
7	FWF12513-S07S24W5M	.295(7.50)	.472(12.00)
8	FWF12513-S08S24W5M	.344(8.75)	.522(13.25)
9	FWF12513-S09S24W5M	.394(10.00)	.571(14.50)
10	FWF12513-S10S24W5M	.443(11.25)	.620(15.75)
11	FWF12513-S11S24W5M	.492(12.50)	.669(17.00)
12	FWF12513-S12S24W5M	.541(13.75)	.719(18.25)




Ordering Information

FWF 125 13 - S XX S 2 4 W5 M
1 2 3 4 5 6 7 8 9 10

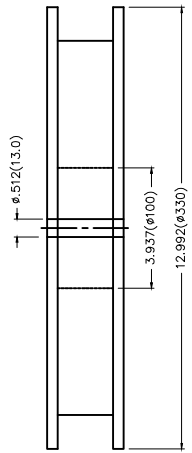
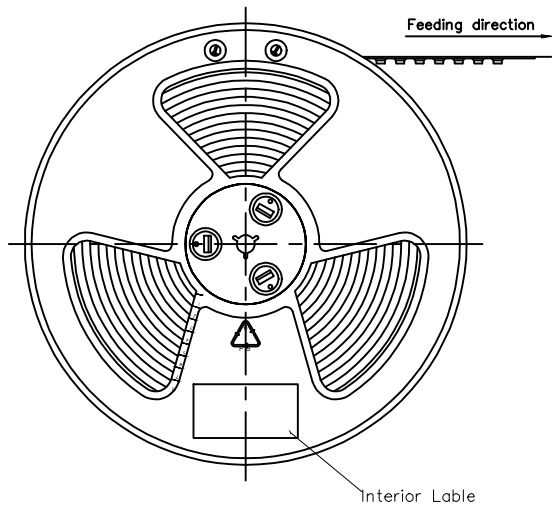
1 Category FWF-Wafer	2 Series Number 125-Pitch1.25mm	3 Distinction No. 13	4 Row Option S-Single Row	5 Circuits XX	6 Entry Angle S-180° Vertical
7 Plating 2-Tin Plated	8 Material-Resin 4-PA9T	9 Color-Resin W5-Natural	10 Packaging M-Reel		

Recommended P.C.Board Layout

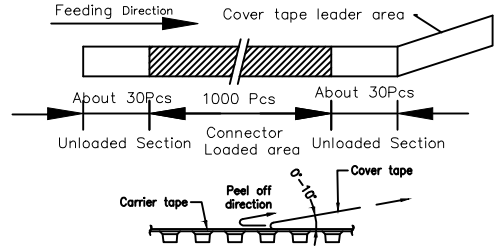
Tolerances: ±.002(±0.05)

THIRD ANGLE PROJECTION	GENERAL TOLERANCES (UNLESS SPECIFIED)		APPROVE BY FRANK	DATE 8/JUL/13	PART NO. FWF12513-SXXS24W5M	ITEM NO. FWF12513	 Leader Of Industry
	DESIGN UNITS Inch (metric)	X.±.012(0.30) X.±5'	CHECKED BY CHERRY	DATE 8/JUL/13	TITLE Wire to Board (Wafer) Pitch 1.25mm 180° Vertical (SMT)		
SCALE 5:1	SIZE A4	X.XX±.006(0.15) .XX'±1'	DRAWN BY KEVIN	DATE 8/JUL/13	THIS DRAWING CONTAINS INFORMATION THAT IS PROPRIETARY TO TXGA INDUSTRIAL ELECTRONICS(S.Z)CO.,LTD AND SHOULD NOT BE USED WITHOUT WRITTEN PERMISSION		
		X.XXX±.004(0.10) .XXX'±0.5'					

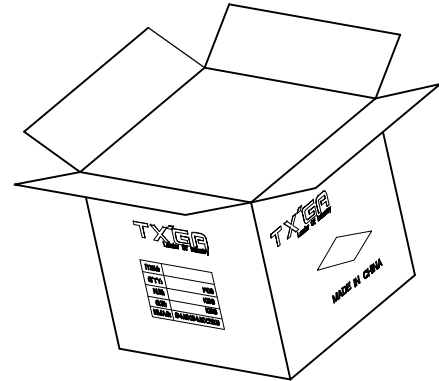
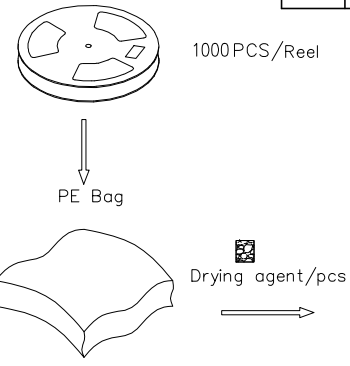
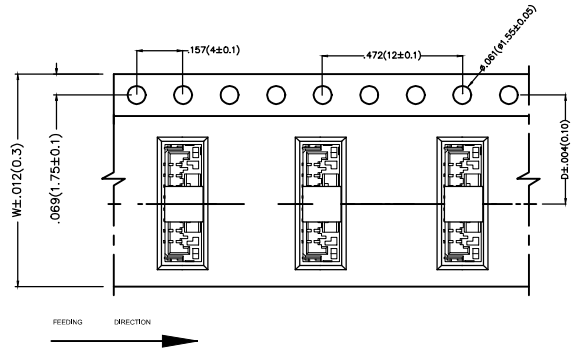
REV	LOCATIONS	DESCRIPTION	DATE	REVISER	APPD



- Note:**
- 10 sprocket hole cumulative tolerance ± 0.2
 - Carrier camber is within 1.0mm in 100mm
 - Material: White Conductive polystyrene Alloy 100% recyclable
 - All dimensions meet EIA-481-3 requirements
 - Component load per 13" reel: 1000pcs



Circuits (n)	Dimensions(in/mm)		Circuits (n)	Dimensions(in/mm)	
	D	W		D	W
2	.295(7.50)	.630(16.00)	9	.559(14.20)	1.260(32.00)
3	.295(7.50)	.630(16.00)	10	.559(14.20)	1.260(32.00)
4	.453(11.50)	.945(24.00)	11	.559(14.20)	1.260(32.00)
5	.453(11.50)	.945(24.00)	12	.559(14.20)	1.260(32.00)
6	.453(11.50)	.945(24.00)			
7	.559(14.20)	1.260(32.00)			
8	.559(14.20)	1.260(32.00)			
9	.559(14.20)	1.260(32.00)			
10	.559(14.20)	1.260(32.00)			



 THIRD ANGLE PROJECTION	GENERAL TOLERANCES (UNLESS SPECIFIED)		APPROVE BY	DATE	PART NO.	ITEM NO.	 Leader Of Industry
	X.±.012(0.30)	X.'±5'	FRANK	8/JUL/13	FWF12513-SXXS24W5M	FWF12513	
DESIGN UNITS Inch (metric)	X.XX±.008(0.20)	.X'±2'	CHECKED BY	DATE	TITLE		REV 0
SCALE	X.XX±.006(0.15)	.XX'±1'	CHERRY	8/JUL/13	Wire to Board (Wafer) Pitch 1.25mm 180° Vertical (SMT)		
SIZE	X.XXX±.004(0.10)	.XXX'±0.5'	DRAWN BY	DATE	THIS DRAWING CONTAINS INFORMATION THAT IS PROPRIETARY TO TXGA INDUSTRIAL ELECTRONICS(S.Z)CO.,LTD AND SHOULD NOT BE USED WITHOUT WRITTEN PERMISSION		
5:1	A4		KEVIN	8/JUL/13			